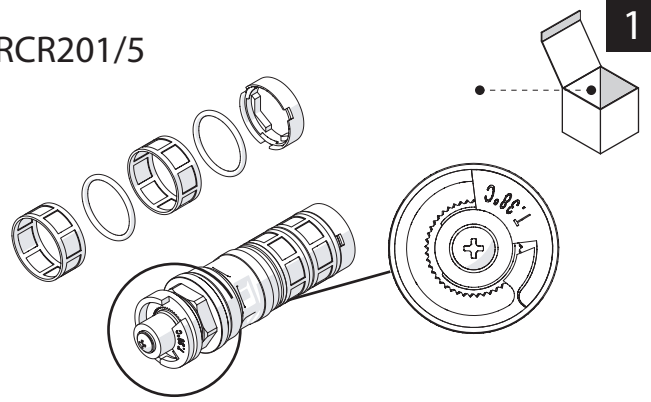
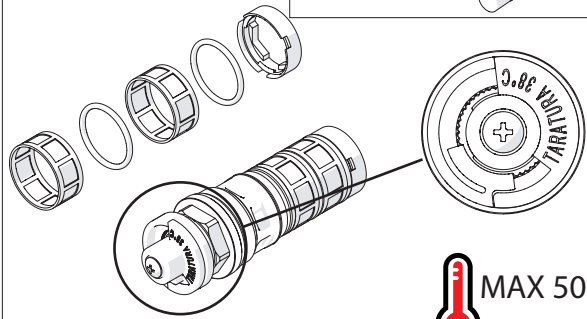
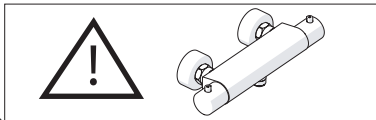


RCR201/5

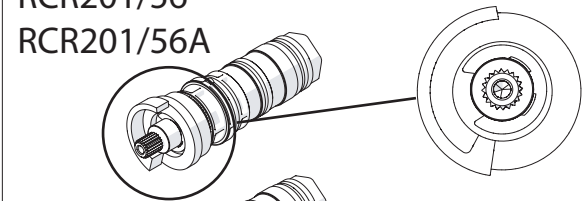


1

RCR201/6



RCR201/56  
RCR201/56A

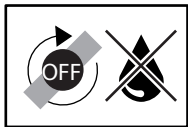


- RCR201/56
- 

COLOR GREEN

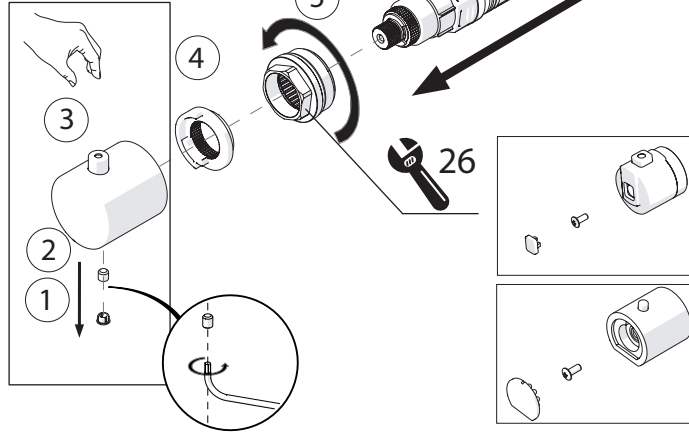
- 

COLOR BLUE

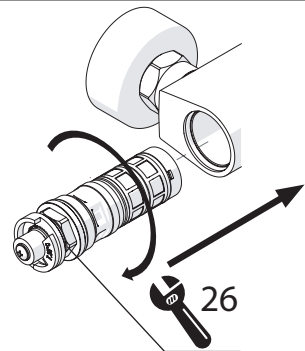
RCR201/5  
RCR201/6

2

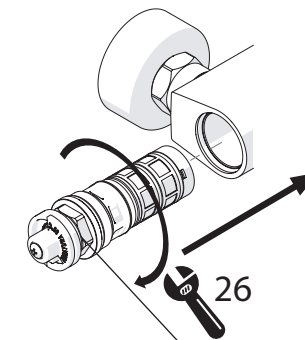


RCR201/5

3

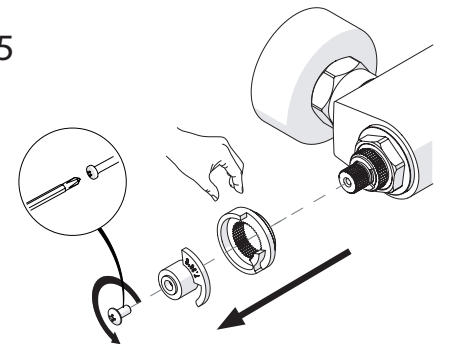


RCR201/6

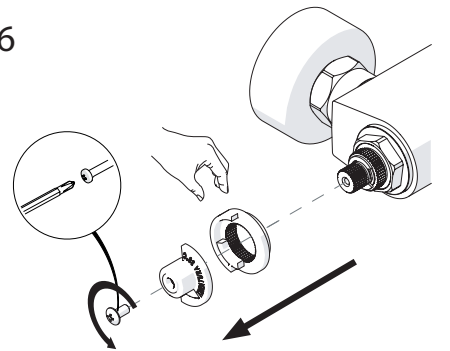


RCR201/5

4

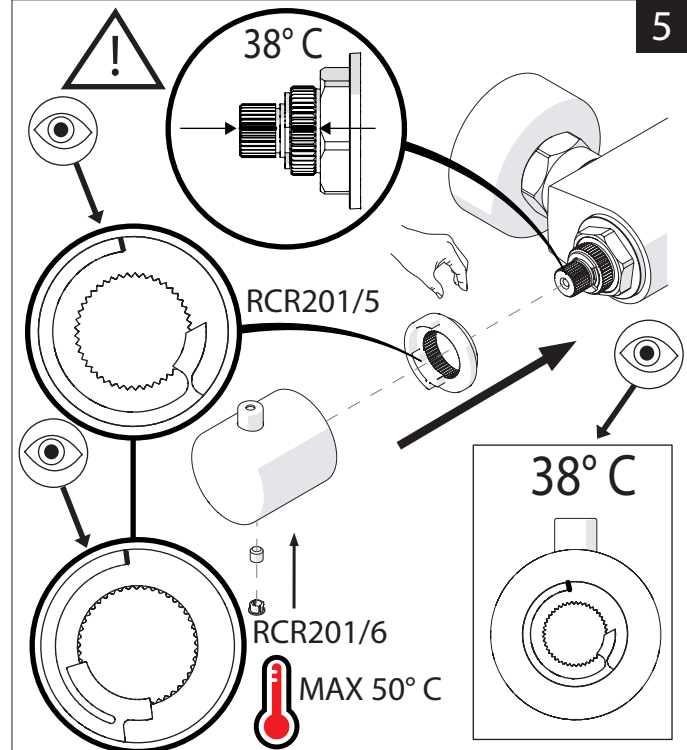


RCR201/6

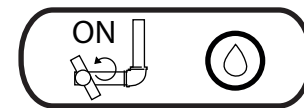
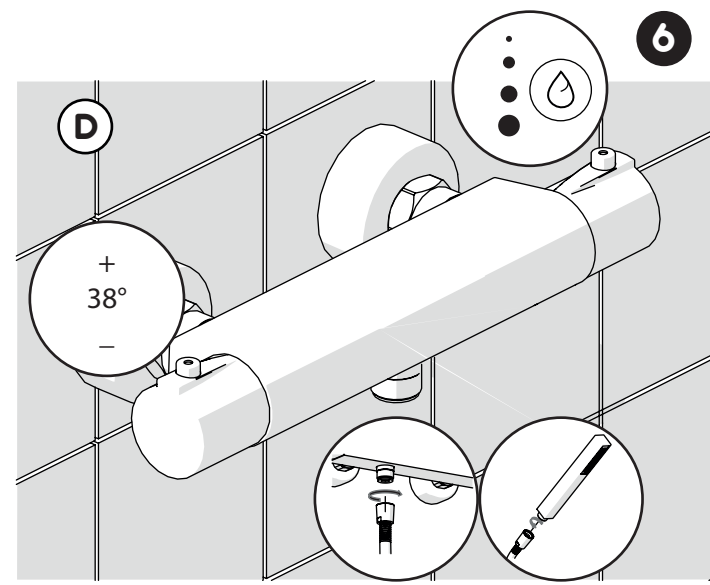
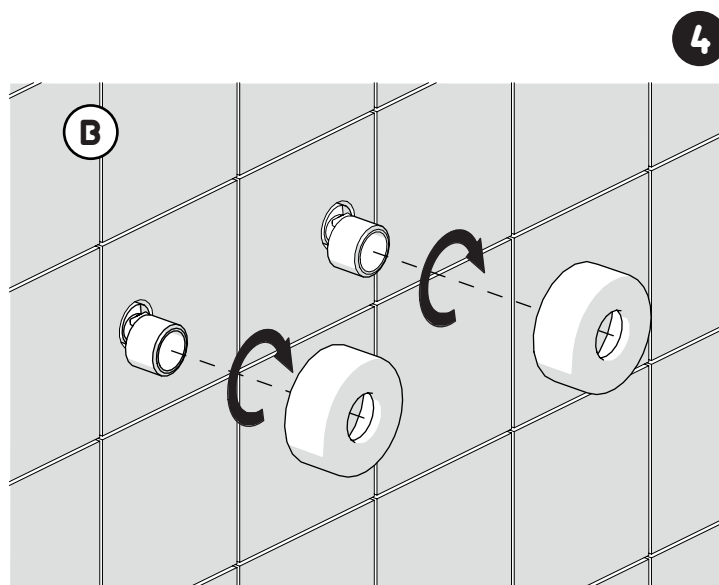
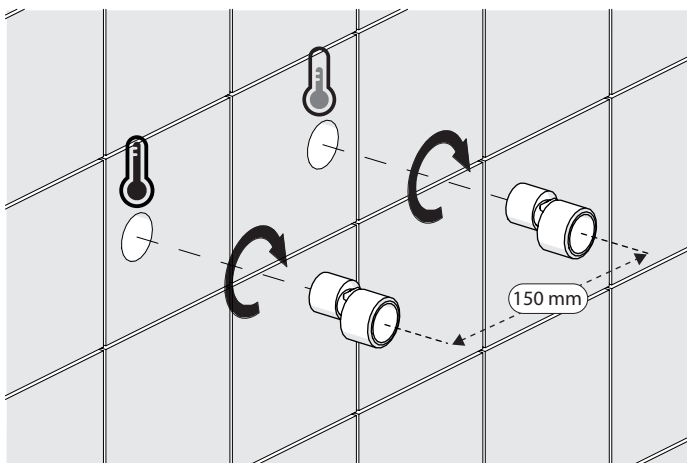
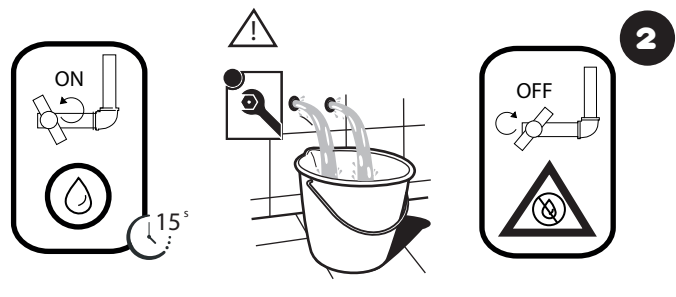
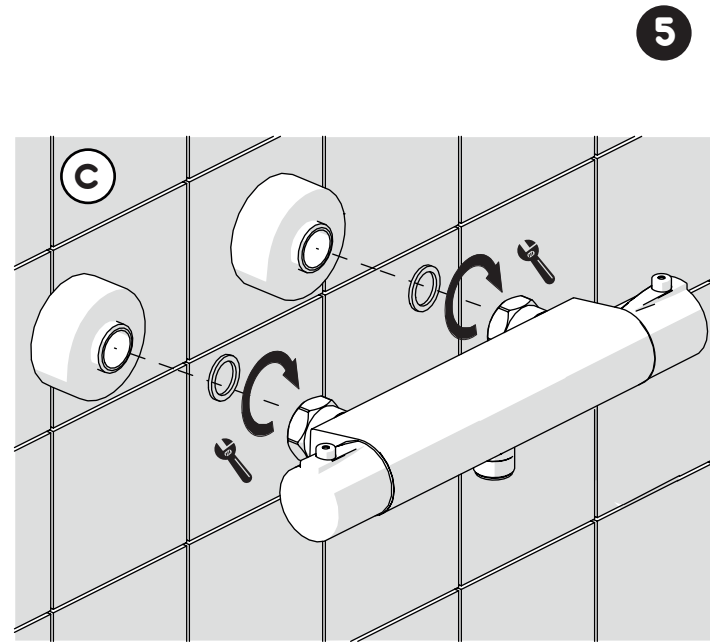
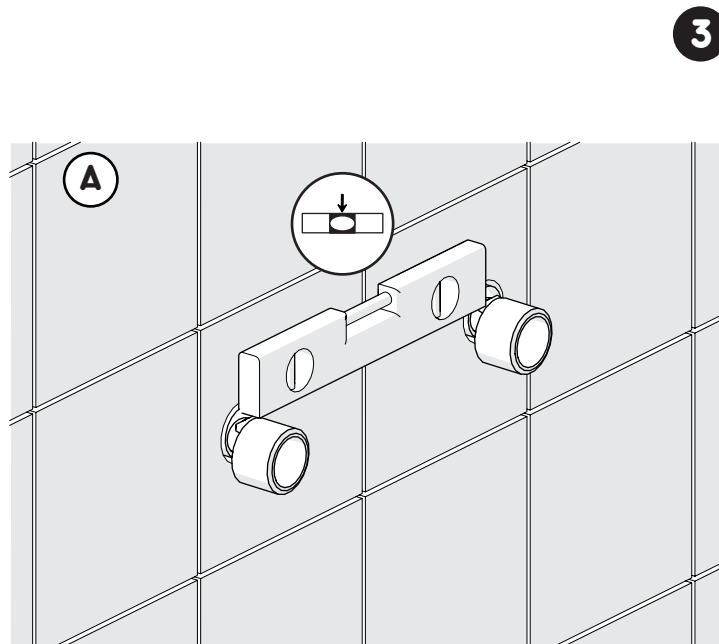
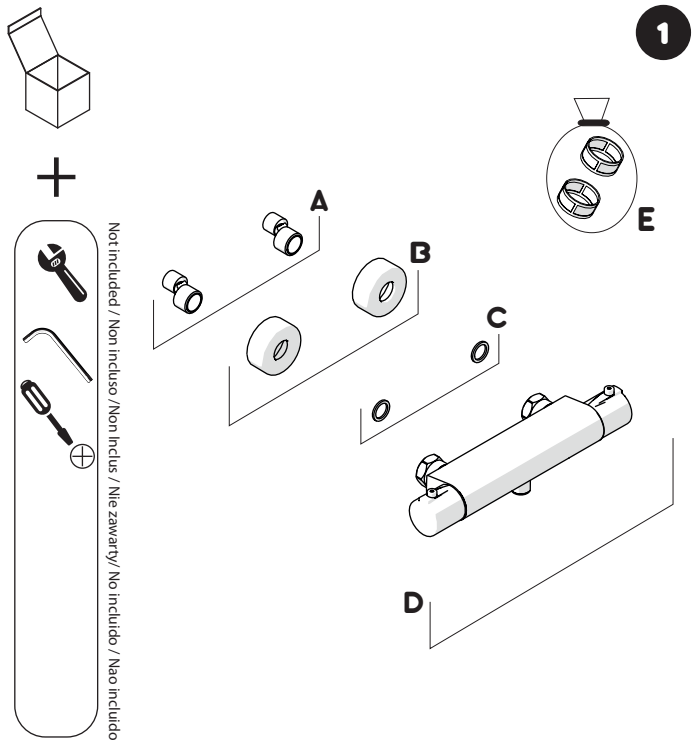


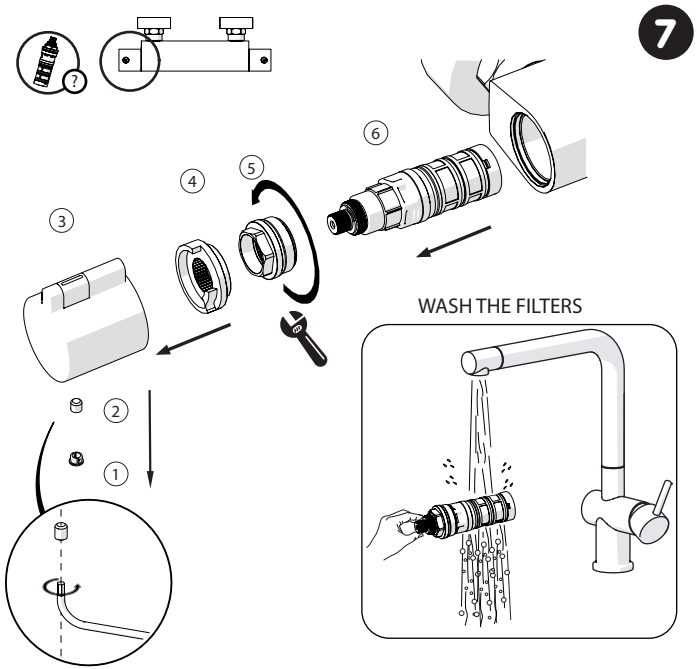
RCR201/5

5



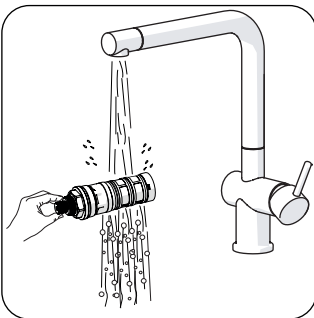




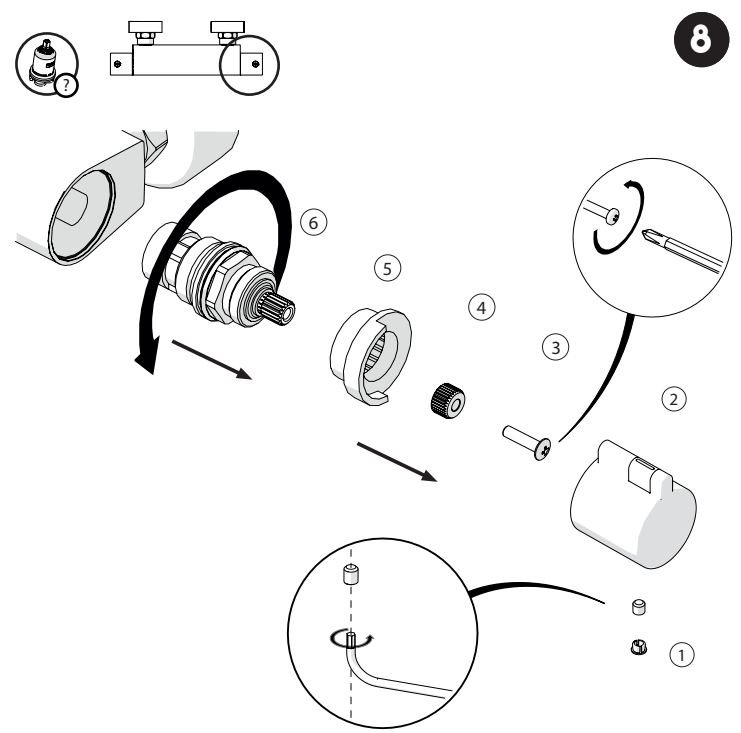
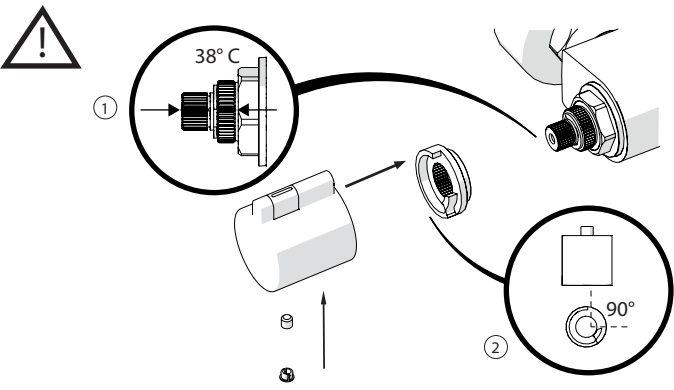
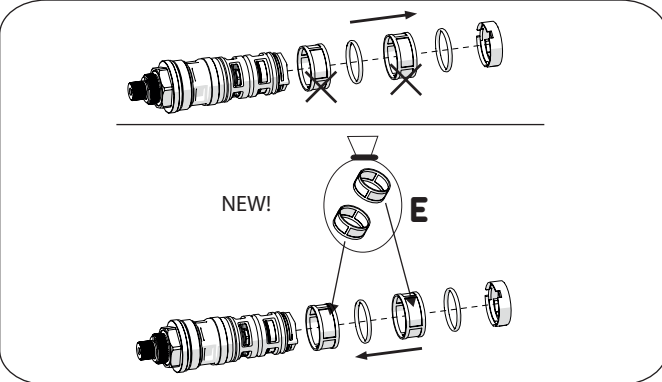


7

WASH THE FILTERS

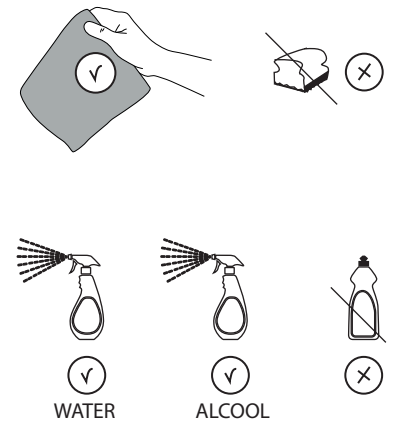


CHANGE FILTERS (spare into the box)



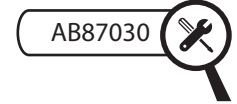
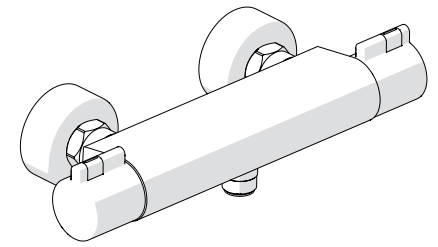
8

 **CLEANING**

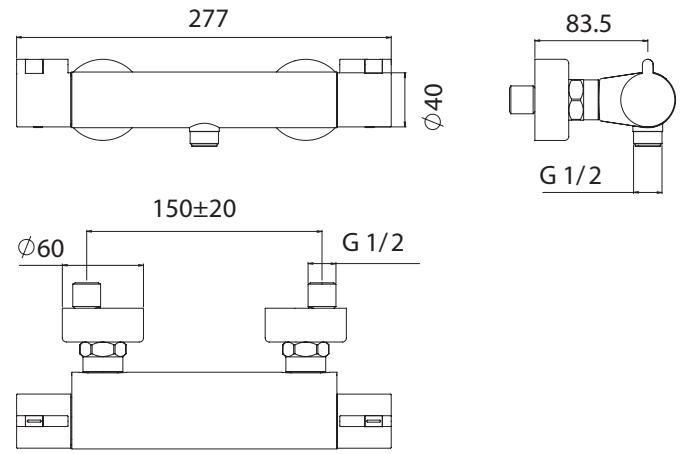


IISTRAB87030#---STD

**NOBILIS**  
The Best Technology for Water



www.grupponobili.it



 **P** | P bar |  MAX 10 |  5 MIN. |  |  **T** | T °C |  MAX 80 |  -65 to 45 | 