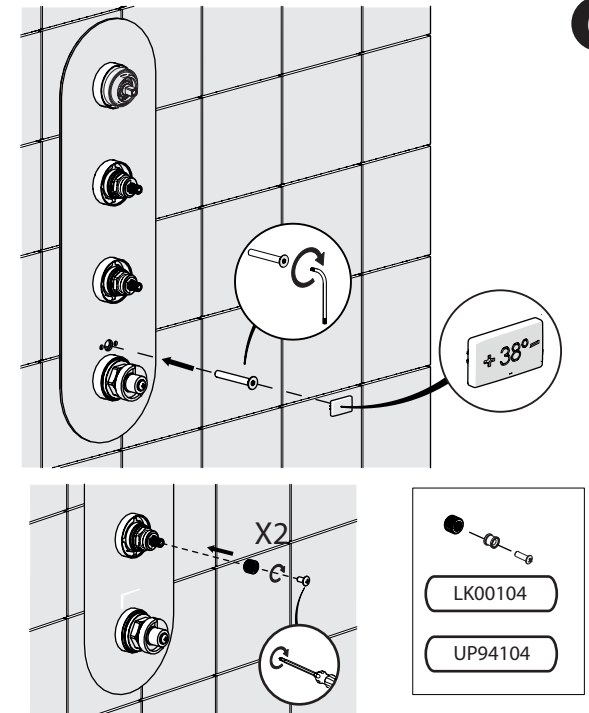
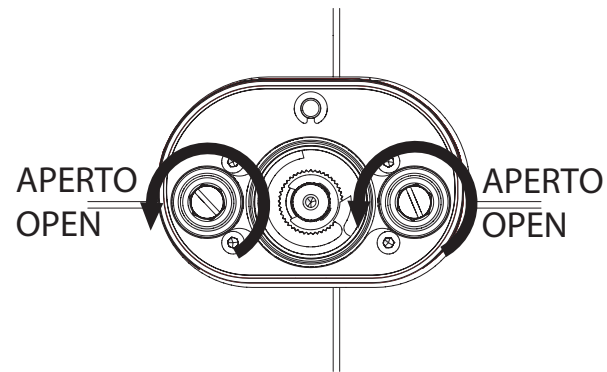
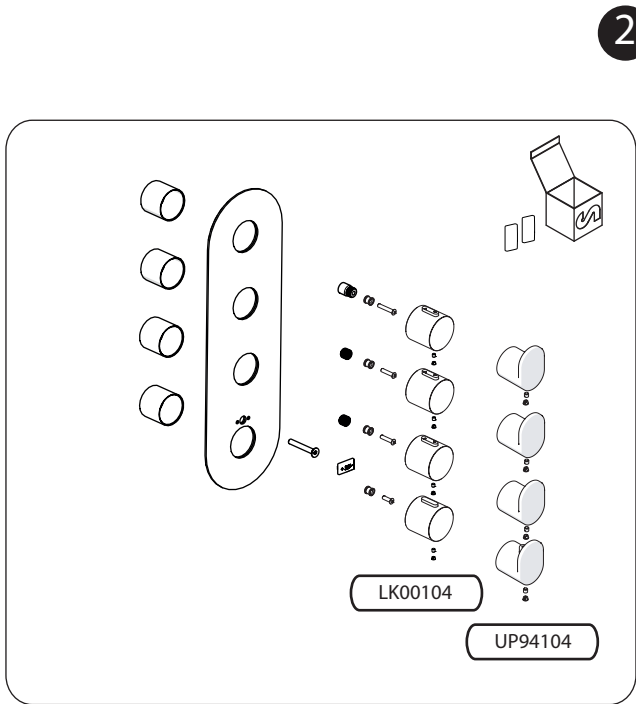
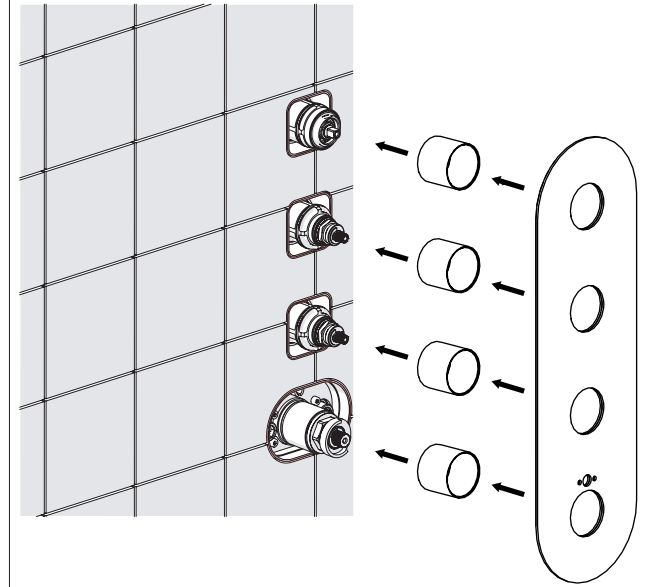
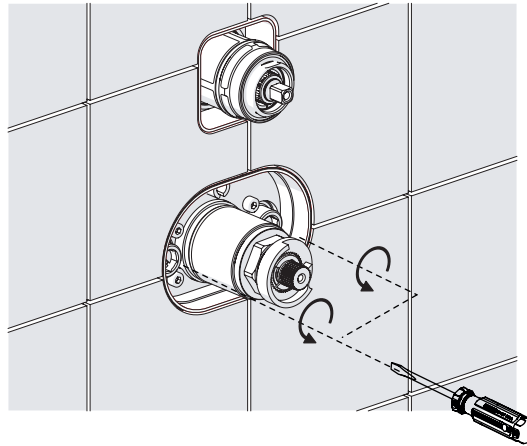
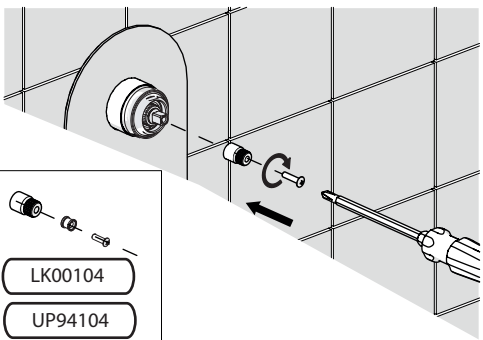


REF.
MANUAL
WE00104

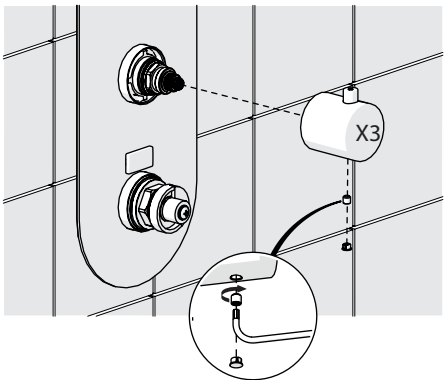


7



LK00104

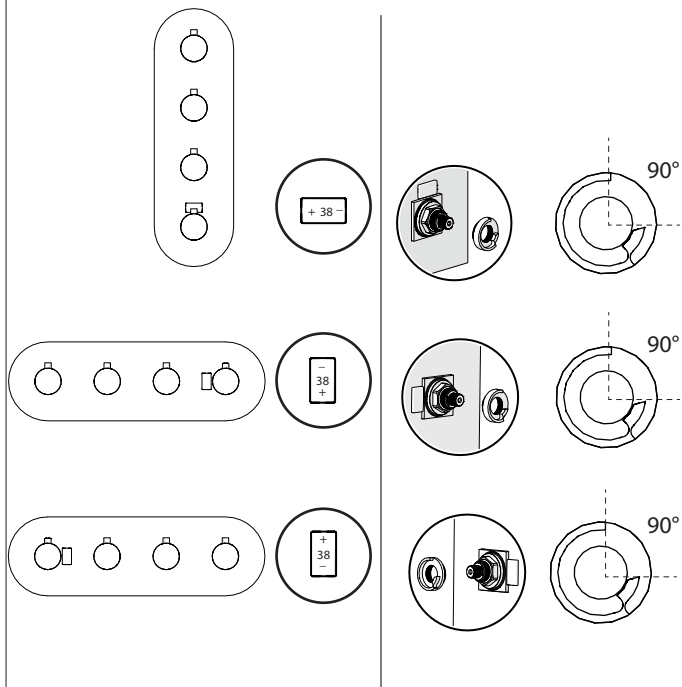
UP94104



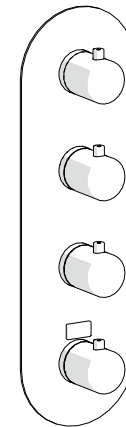
LK00104

UP94104

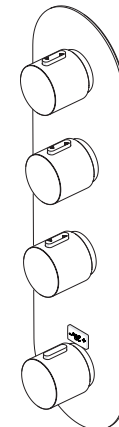
9



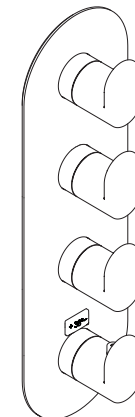
NOBILIS
The Best Technology for Water



WE00104/T



LK00104



UP94104

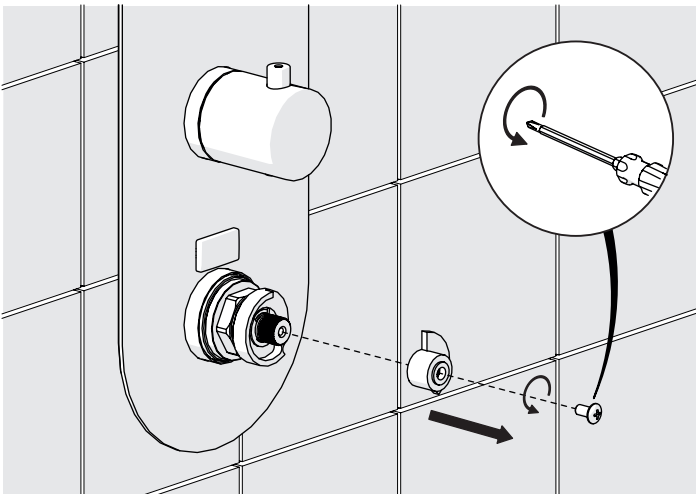
IISTR00104/T#--STD



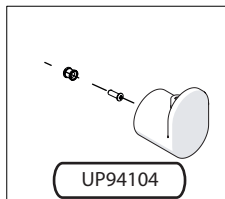
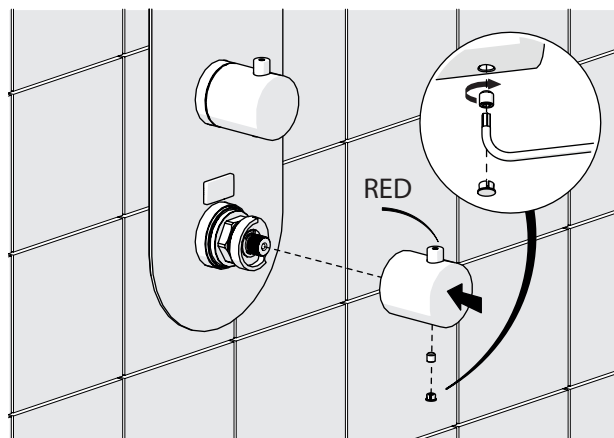
www.grupponobili.it

REV02.02/2017

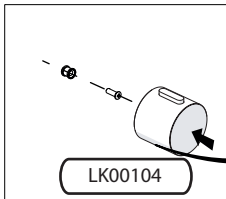
8



10



UP94104



LK00104

