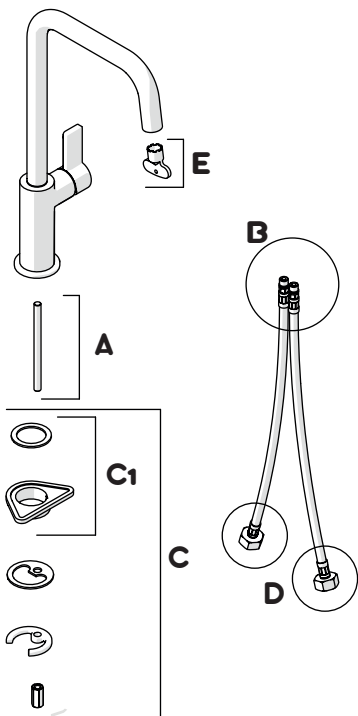




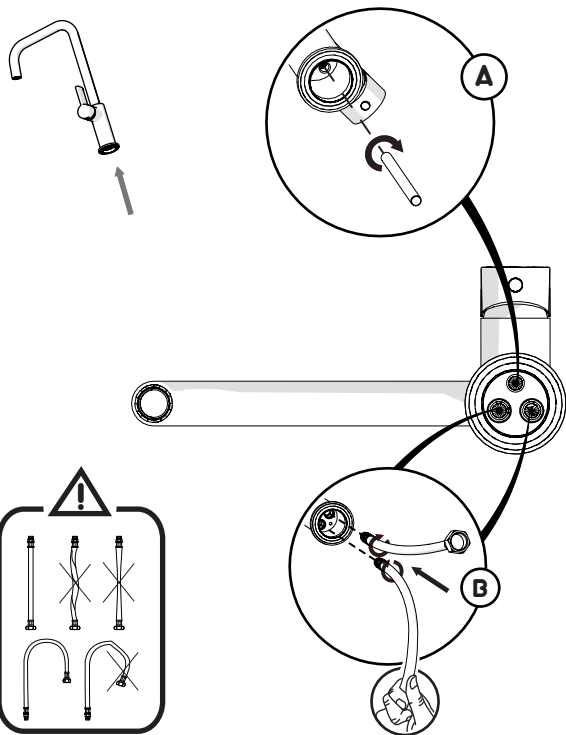
+



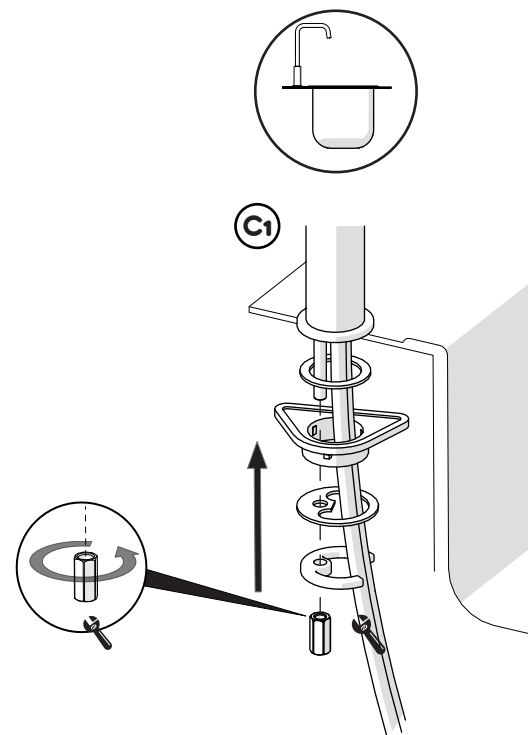
Not included / Non incluso / Non inclus / Nie zawarty / No incluido / Nao incluido



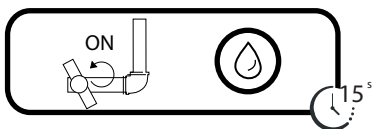
1



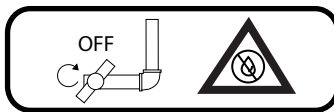
3



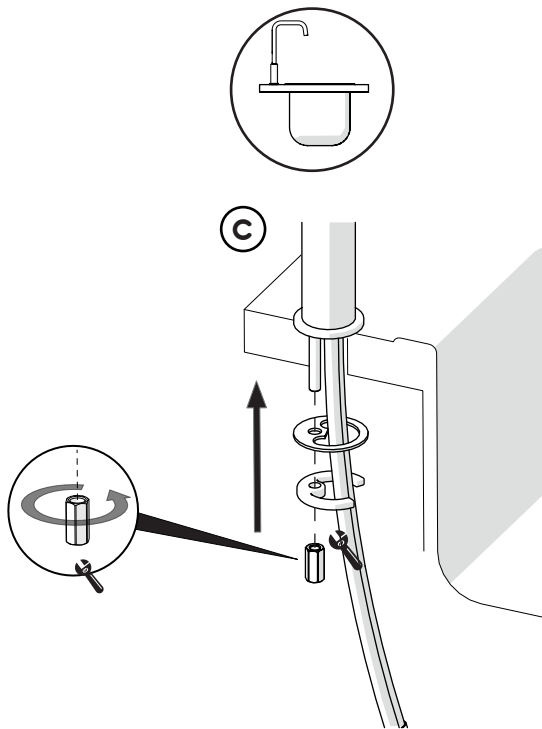
5



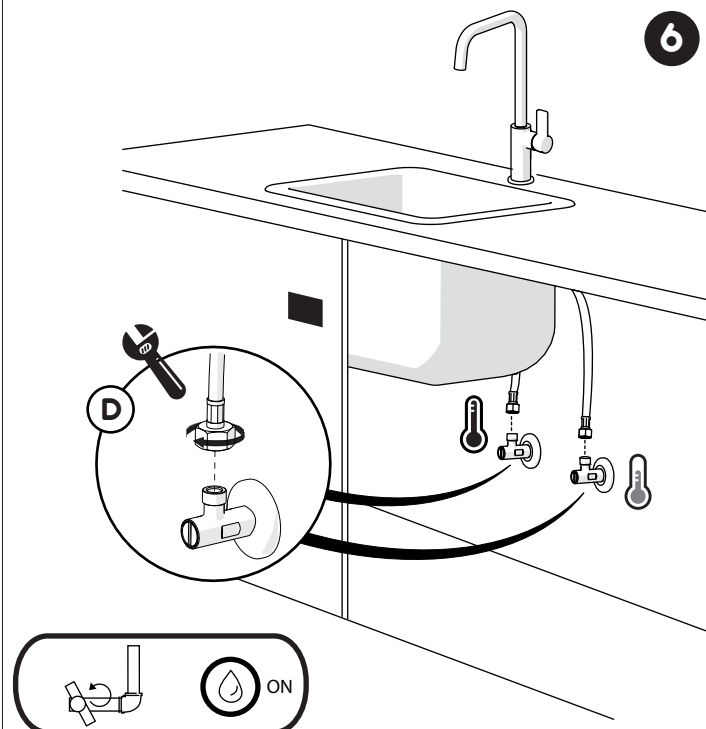
2



4



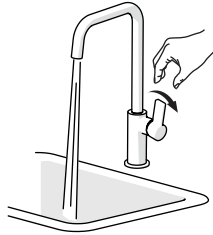
6



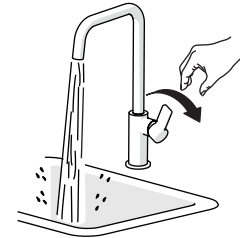
-50%



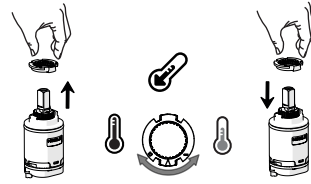
7



ON 50%



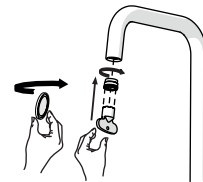
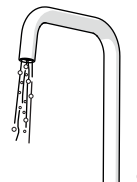
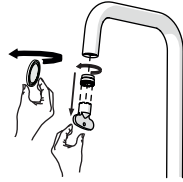
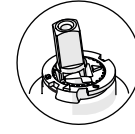
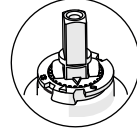
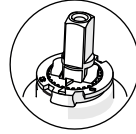
ON 100%



No limitation of temperature

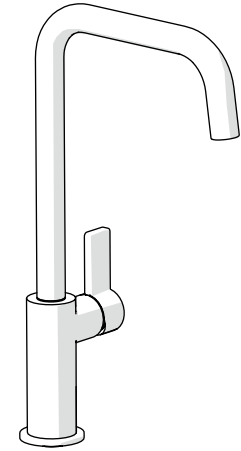
Partial limitation of temperature

Maximum position Only cold water



on

**NOBILIA**  
The Best Technology for Water



FL96123

FL96523



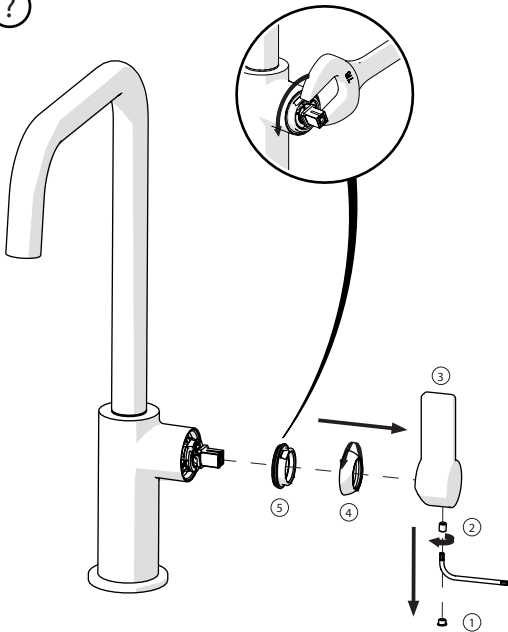
www.grupponobili.it

IISTRFL96123#--STD

REV03/2013

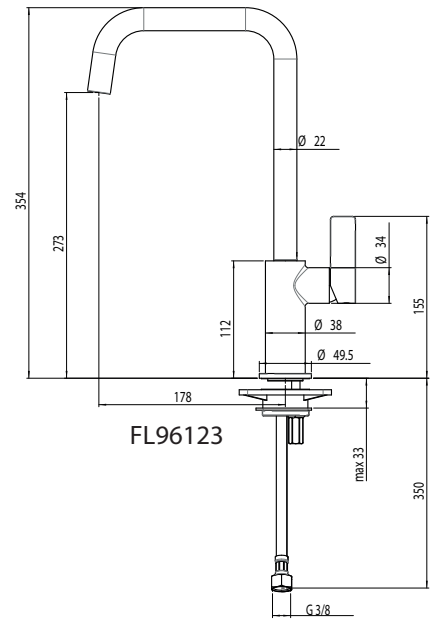
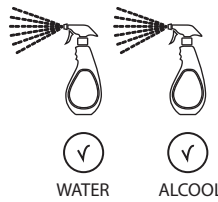


8



10

CLEANING



FL96123

	P	P bar	0,5 MIN.	MAX 10		5		T	T °C	MAX 80		MIN 45	
--	---	-------	----------	--------	--	---	--	---	------	--------	--	--------	--