



SPECIFICATIONS

Energy and water saving basin single control

Chrome

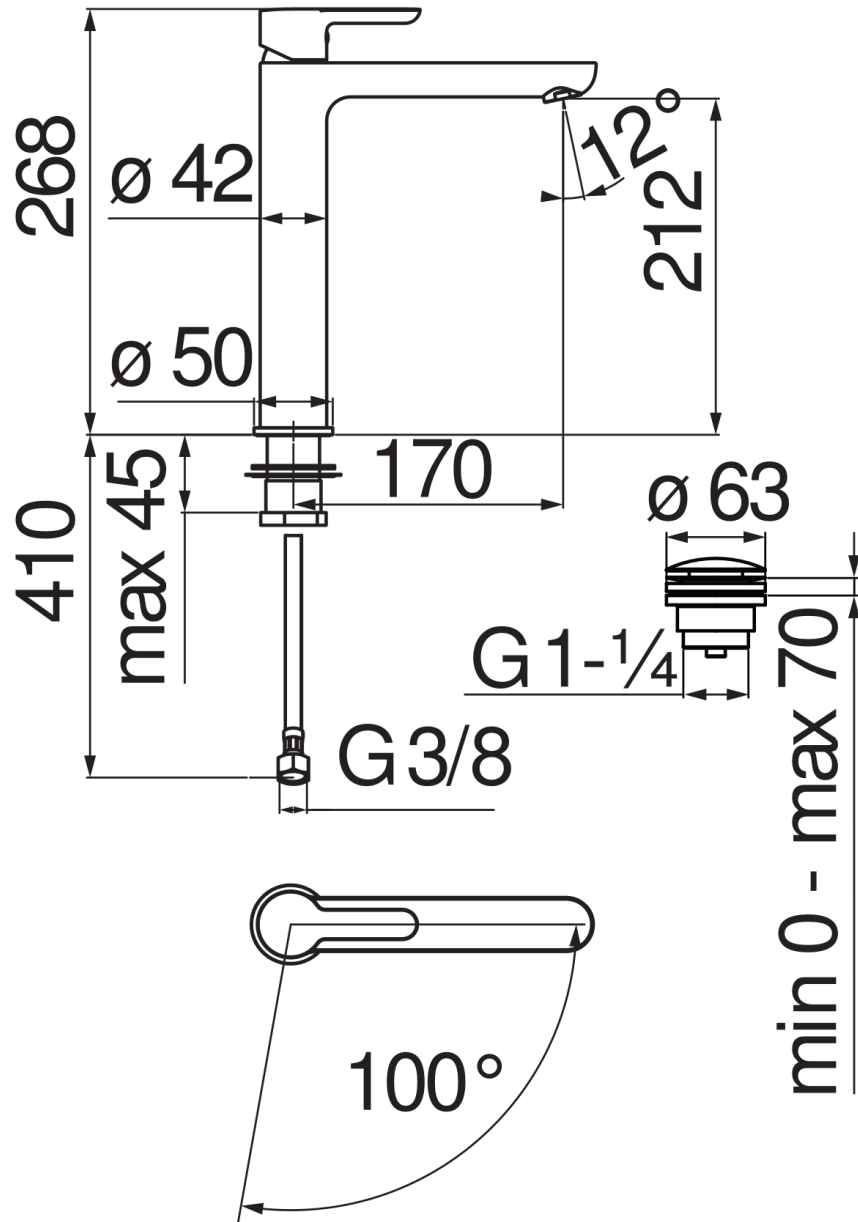
Anti limescale aerator M 24 x 1, flow rate 5 l/min

1 1/4" push waste

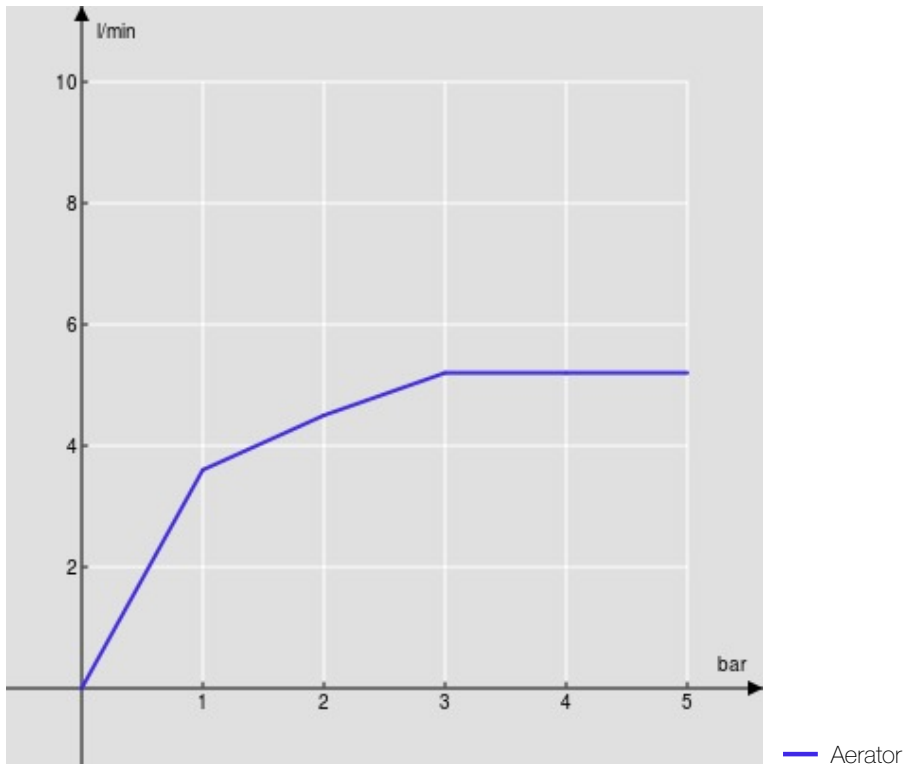
ø 3/8" stainless steel flexible pipe

Energy saving system with cold water side opening

Packaging: 56,5 x 29 x 7,1 cm / 0,01163 m<sup>3</sup> / 3 kg



FLOW RATE DIAGRAM: HOT/COLD WATER



FLOW RATE DIAGRAM: MIXED WATER

