



SPECIFICATIONS

Single control

Chrome

Anti limescale aerator M 16 x 1

Without waste

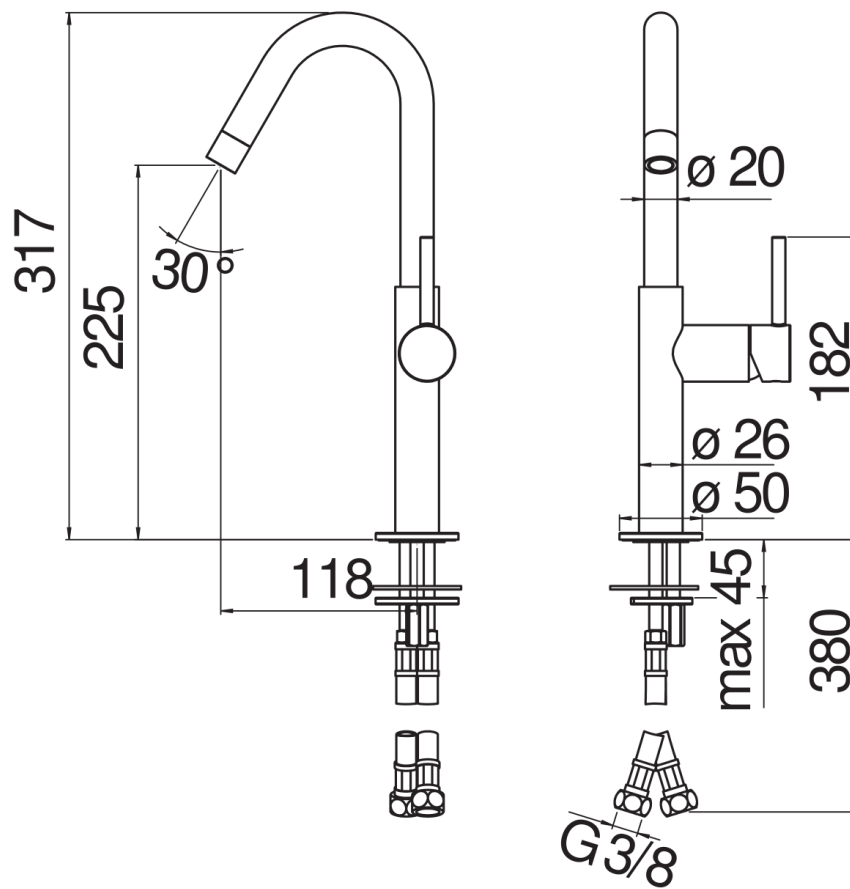
ø 3/8" stainless steel flexible pipe

50% two step cartridge for water saving

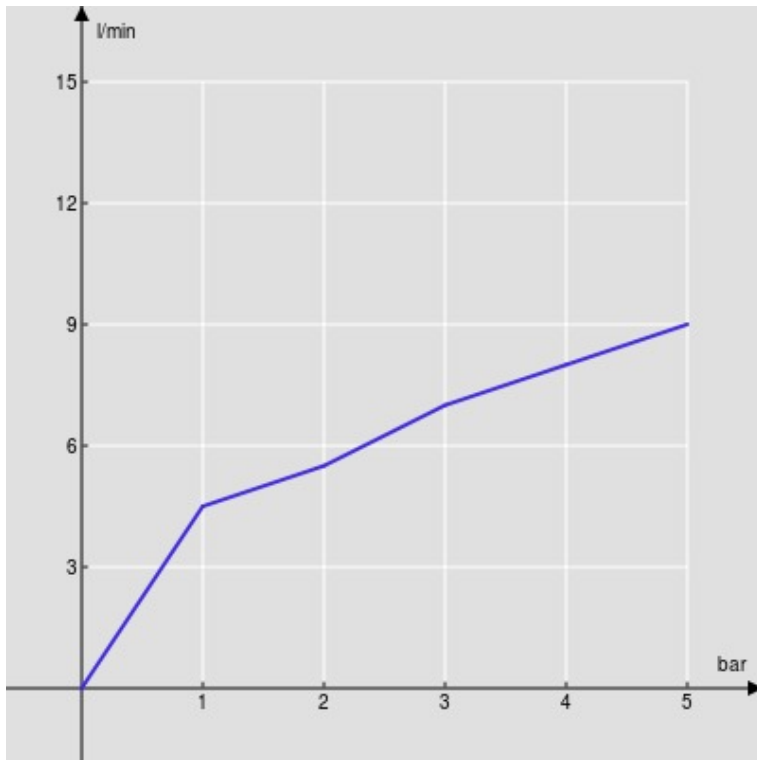
Packaging: 38,5 x 24 x 13,9 cm / 0,01284 m³ / 1,72 kg

CERTIFICATIONS



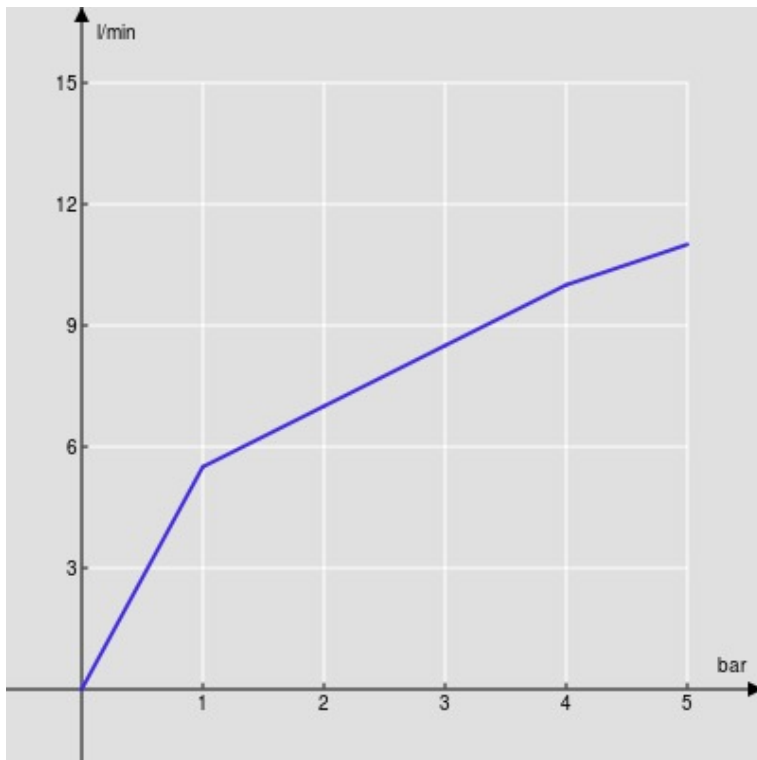


FLOW RATE DIAGRAM: HOT/COLD WATER



— Aerator

FLOW RATE DIAGRAM: MIXED WATER



— Aerator