



SPECIFICATIONS

Cold water tap

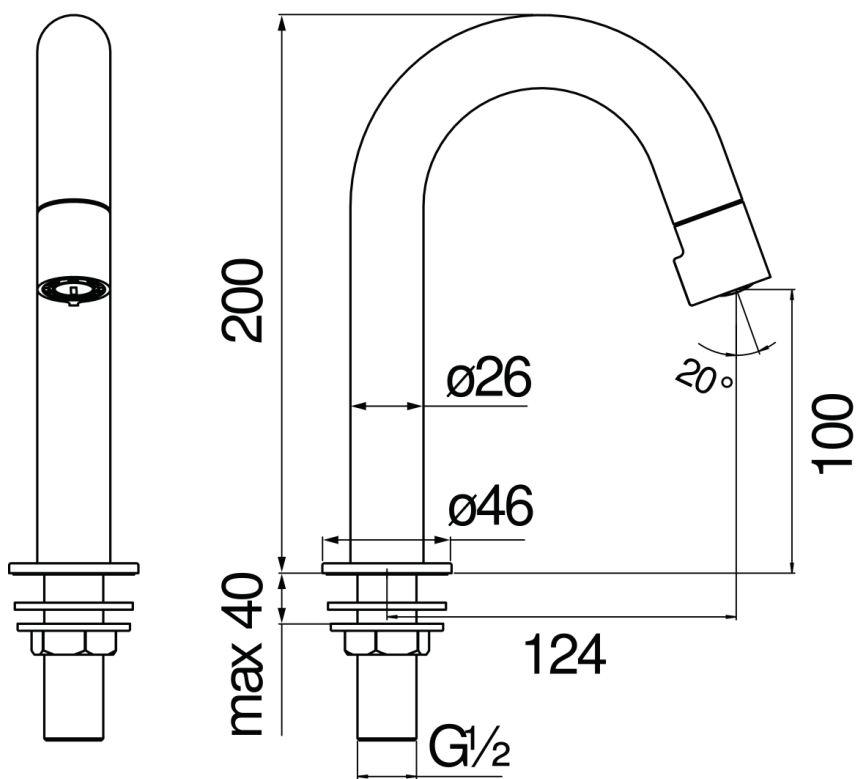
Inox

Anti limescale aerator M 16,5 x 1

Without waste

ø 3/8" stainless steel flexible pipe

Packaging: 41,2 x 16,4 x 7,1 cm / 0,04797 m³ / 0,809 kg



FLOW RATE DIAGRAM: HOT/COLD WATER

