



SPECIFICATIONS

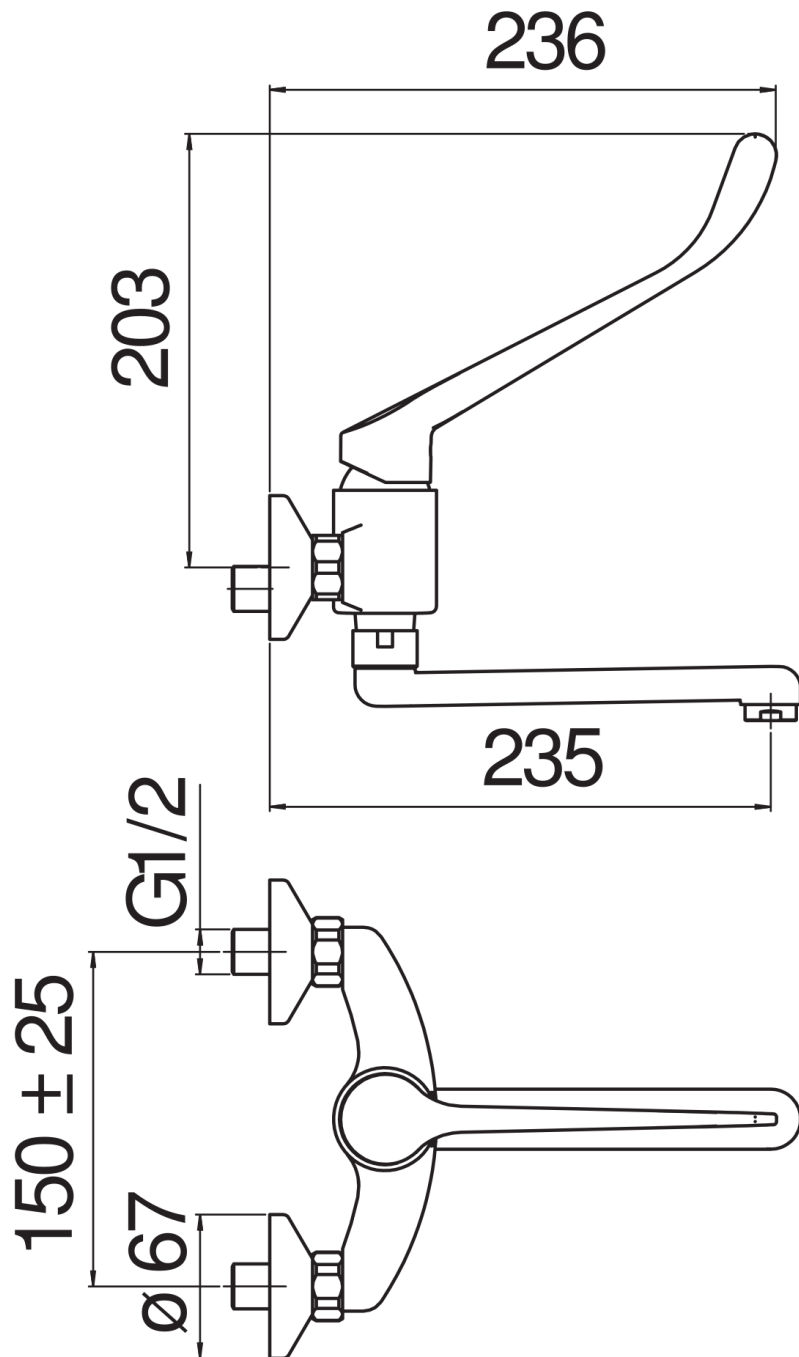
Wall-mounted single control mixer tap with clinical lever

Chrome

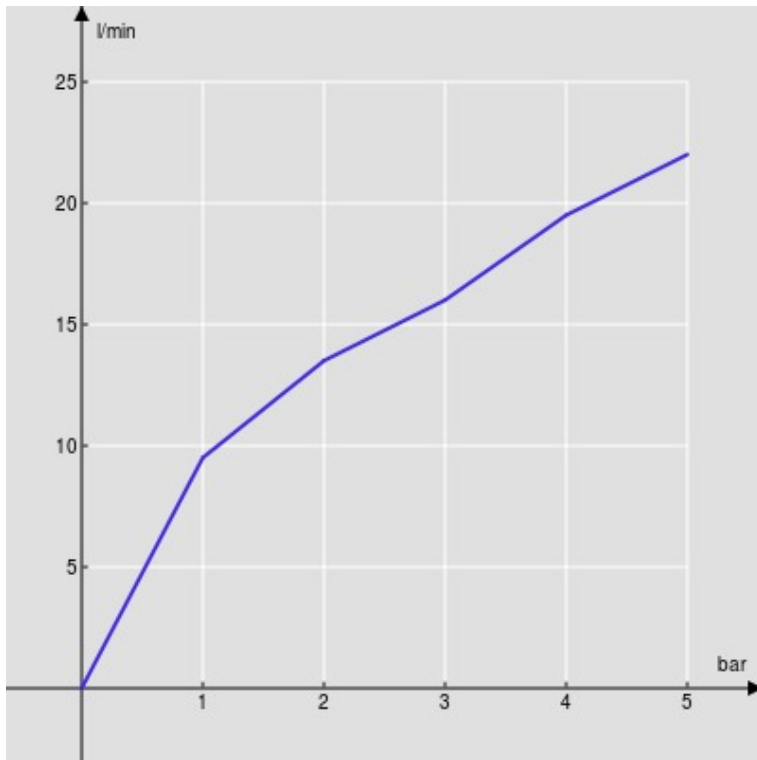
Swivel spout

Anti limescale aerator M 24 x 1

Packaging: 22 x 15,5 x 15 cm / 0,00512 m³ / 2,09 kg



FLOW RATE DIAGRAM: HOT/COLD WATER



FLOW RATE DIAGRAM: MIXED WATER

