

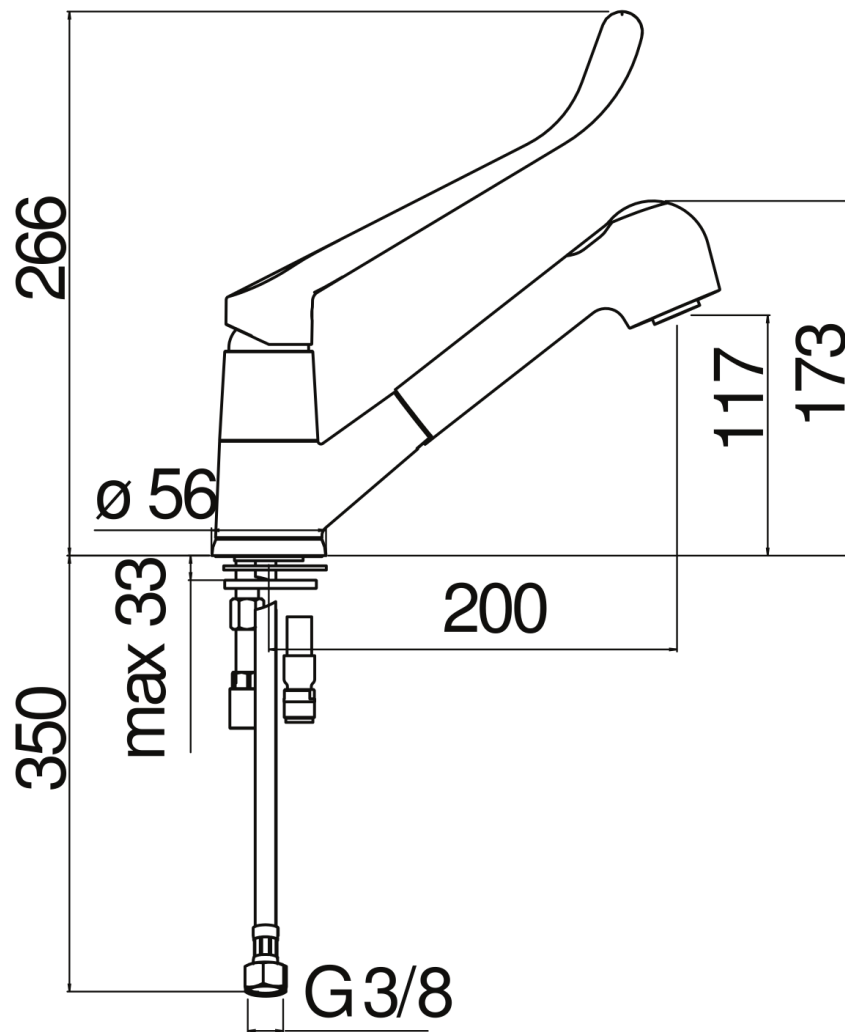


SPECIFICATIONS

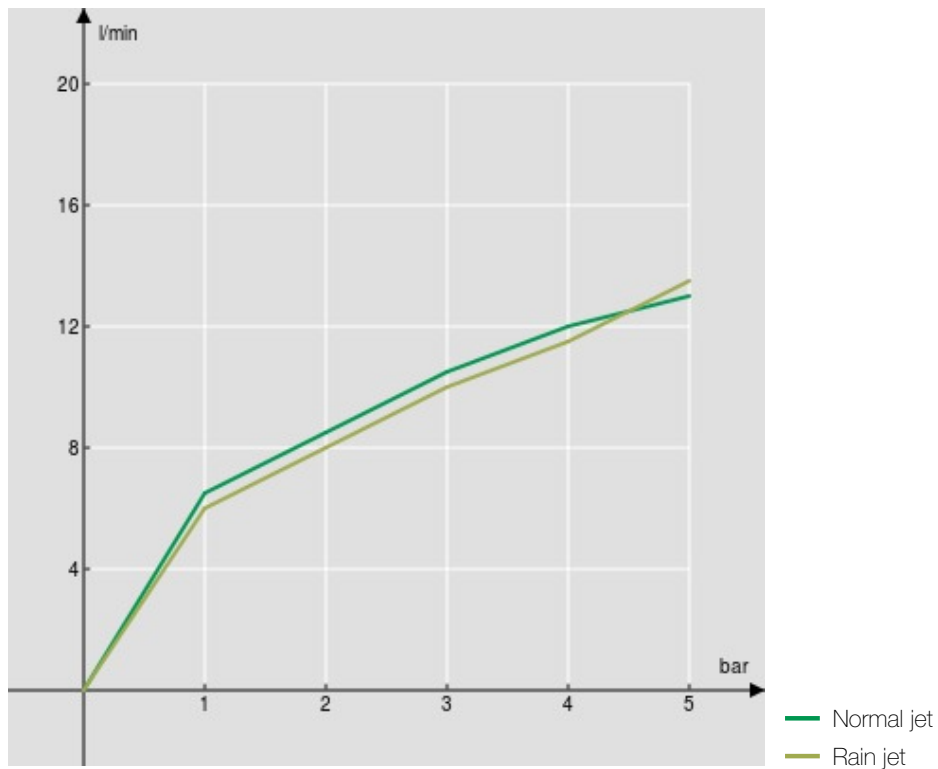
Single control mixer tap with clinical lever
Chrome
Swivel body
Pull-out 2-jet hand shower
ø 3/8" stainless steel flexible pipe
Packaging: 41,5 x 16 x 7,5 cm / 0,00498 m³ / 2,13 kg

CERTIFICATIONS





FLOW RATE DIAGRAM: HOT/COLD WATER



FLOW RATE DIAGRAM: MIXED WATER

