



SPECIFICATIONS

Dual control

Chrome

360° swivel spout

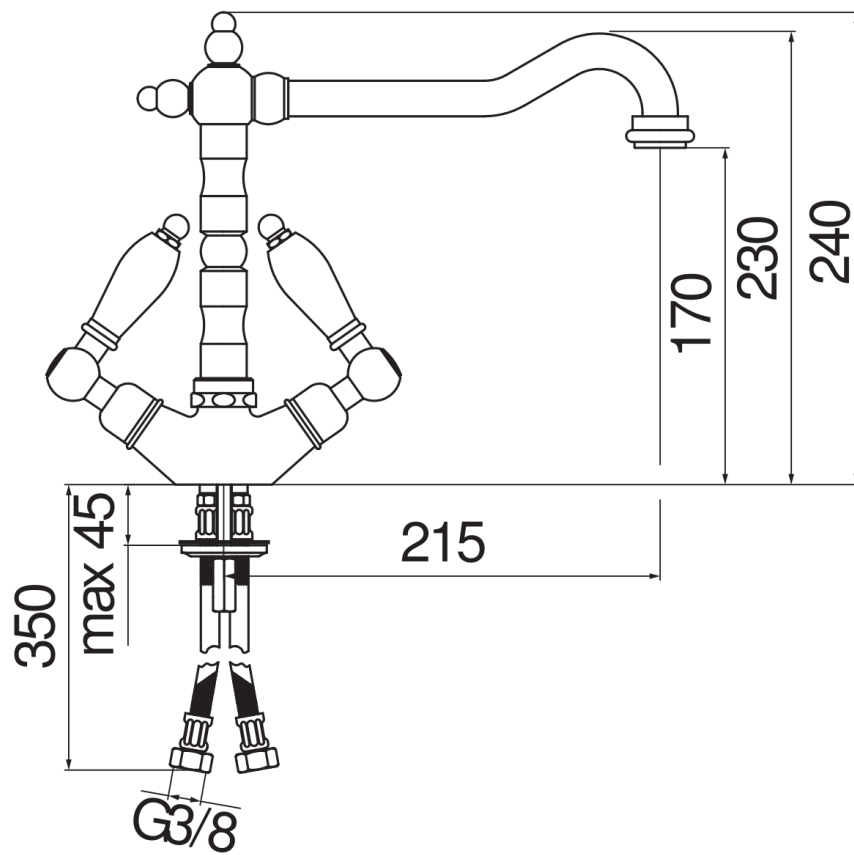
Anti limescale aerator M 22 x 1

Ø 3/8" stainless steel flexible pipe

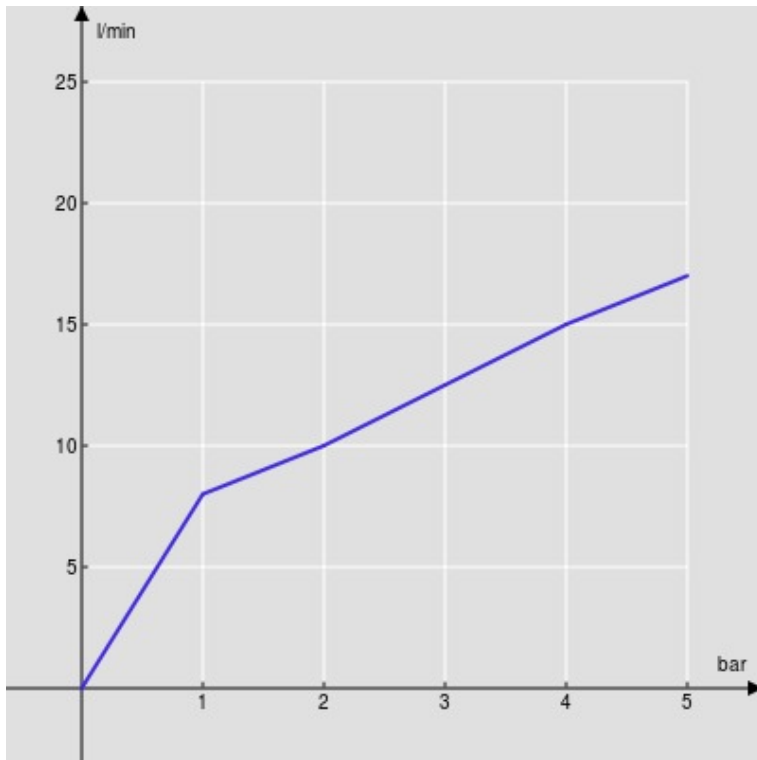
Packaging: 56,5 x 29 x 7,1 cm / 0,01163 m<sup>3</sup> / 2,41 kg

CERTIFICATIONS



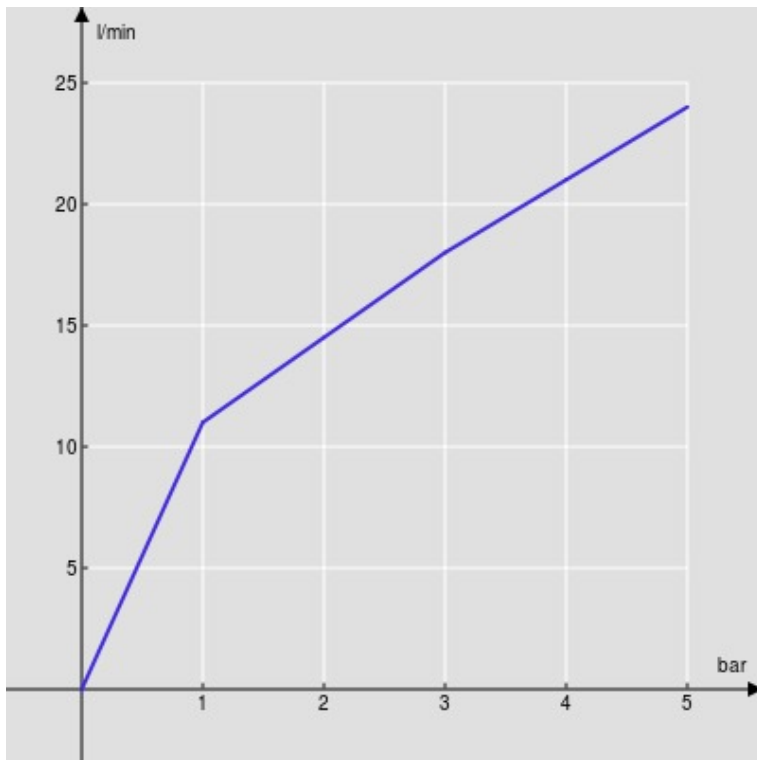


FLOW RATE DIAGRAM: HOT/COLD WATER



— Aerator

FLOW RATE DIAGRAM: MIXED WATER



— Aerator