



#### SPECIFICATIONS

External single control

Chrome

Anti limescale aerator M 28 x 1

Auto return deviator

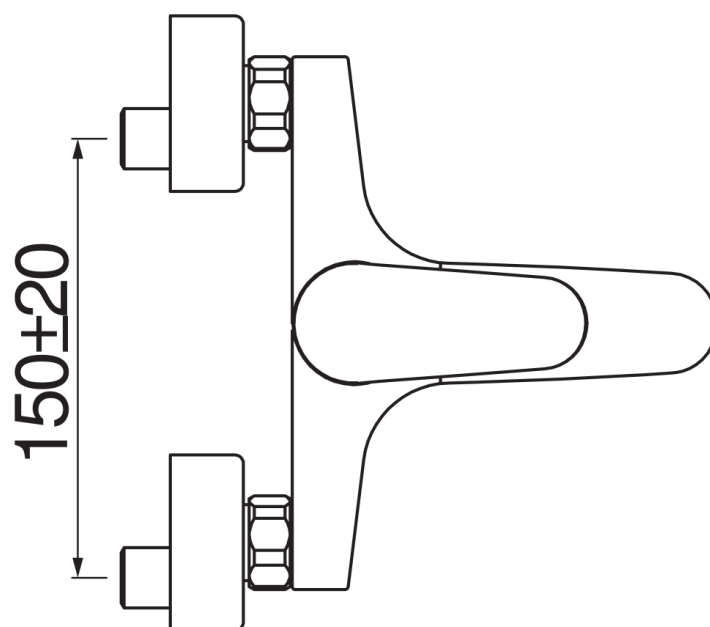
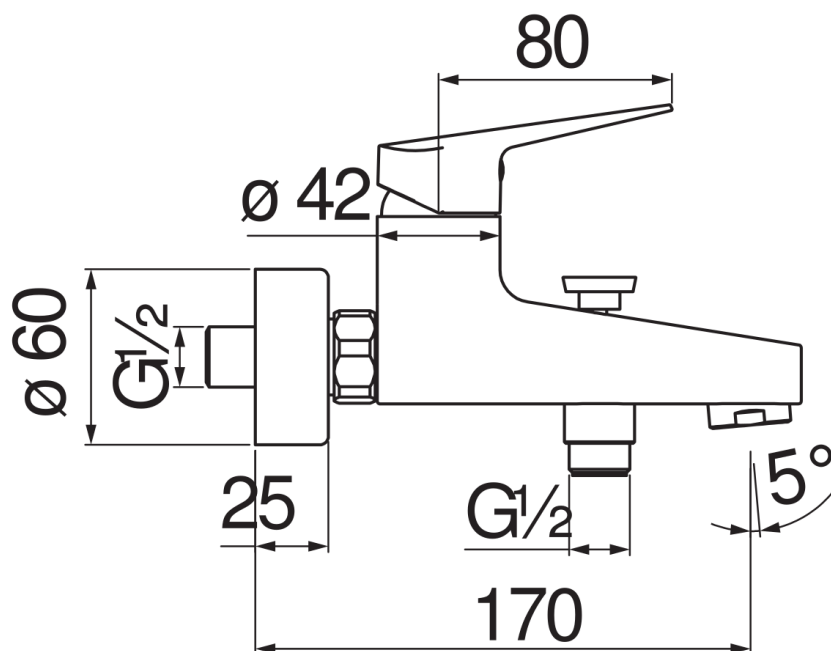
ø 1/2" outlet

50% two step cartridge for water saving

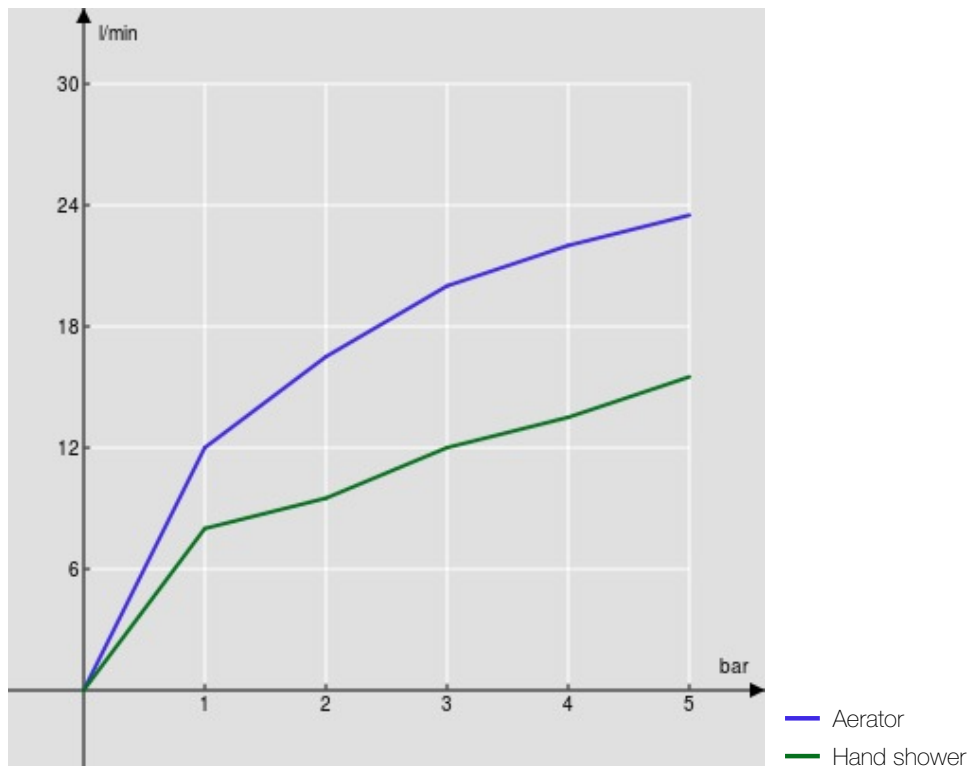
Packaging: 22 x 15,5 x 15 cm / 0,00512 m<sup>3</sup> / 2 kg

#### CERTIFICATIONS





FLOW RATE DIAGRAM: HOT/COLD WATER



FLOW RATE DIAGRAM: MIXED WATER

