

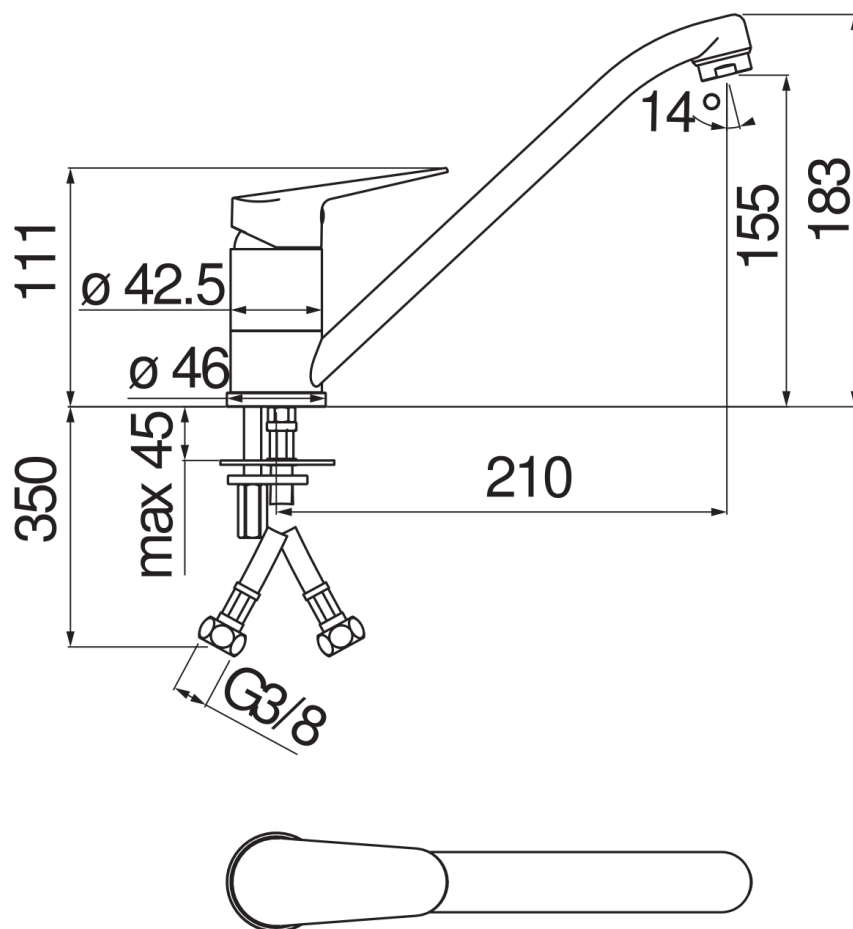


SPECIFICATIONS

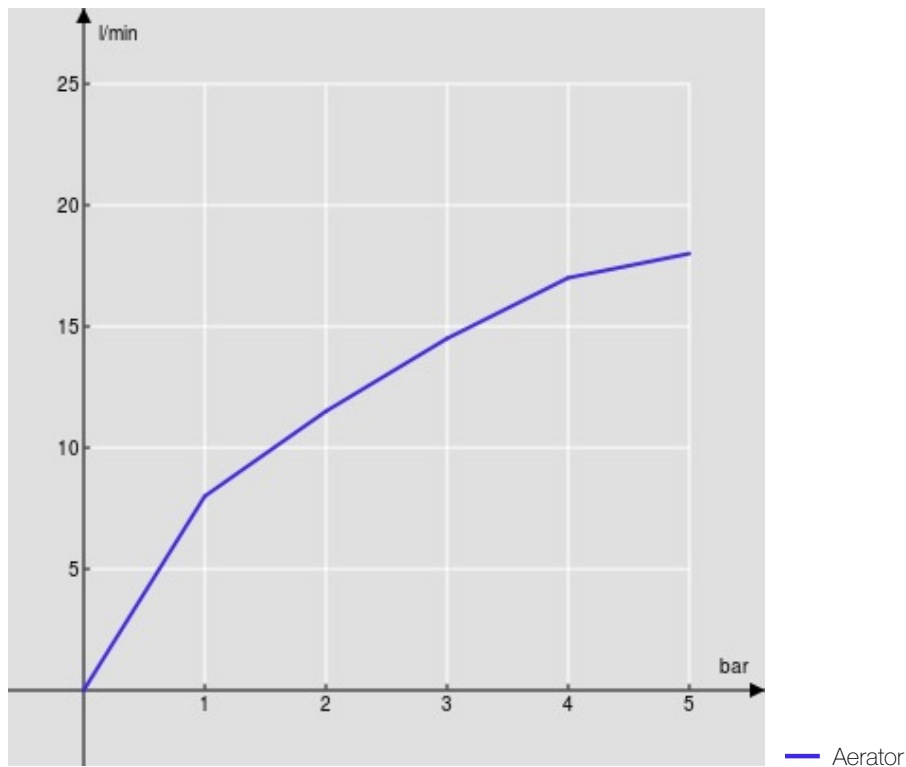
Single control  
Chrome  
360° swivel spout  
Anti limescale aerator M 24 x 1  
ø 3/8" stainless steel flexible pipe  
50% two step cartridge for water saving  
Packaging: 37,3 x 12,6 x 7,1 cm / 0,00334 m<sup>3</sup> / 1,12 kg

CERTIFICATIONS





FLOW RATE DIAGRAM: HOT/COLD WATER



FLOW RATE DIAGRAM: MIXED WATER

