

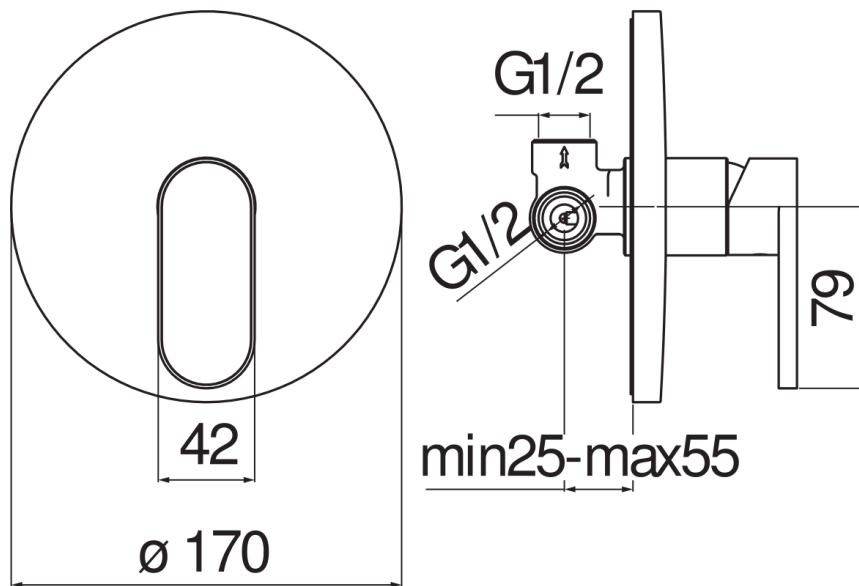


SPECIFICATIONS

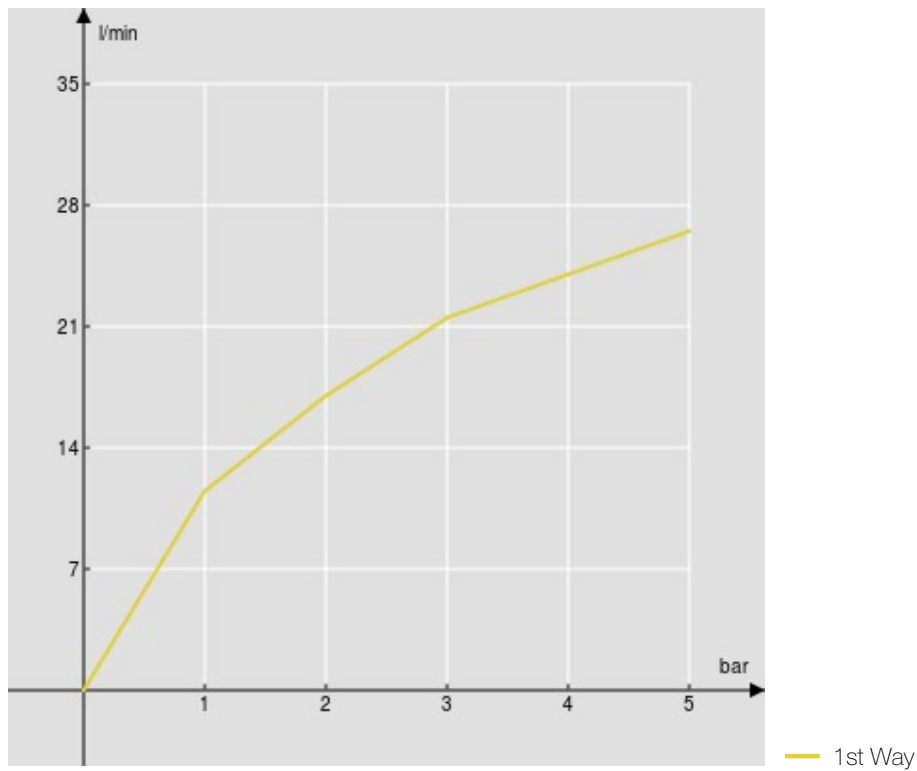
Built-in 1-way single control mixer
Chrome
Invisible o-ring resistance
Waterproof wall fixing
External part and flush-fit part
50% two step cartridge for water saving
Packaging: 16,5 x 21,5 x 17,1 cm / 0,006066 m³

CERTIFICATIONS





FLOW RATE DIAGRAM: HOT/COLD WATER



FLOW RATE DIAGRAM: MIXED WATER

