

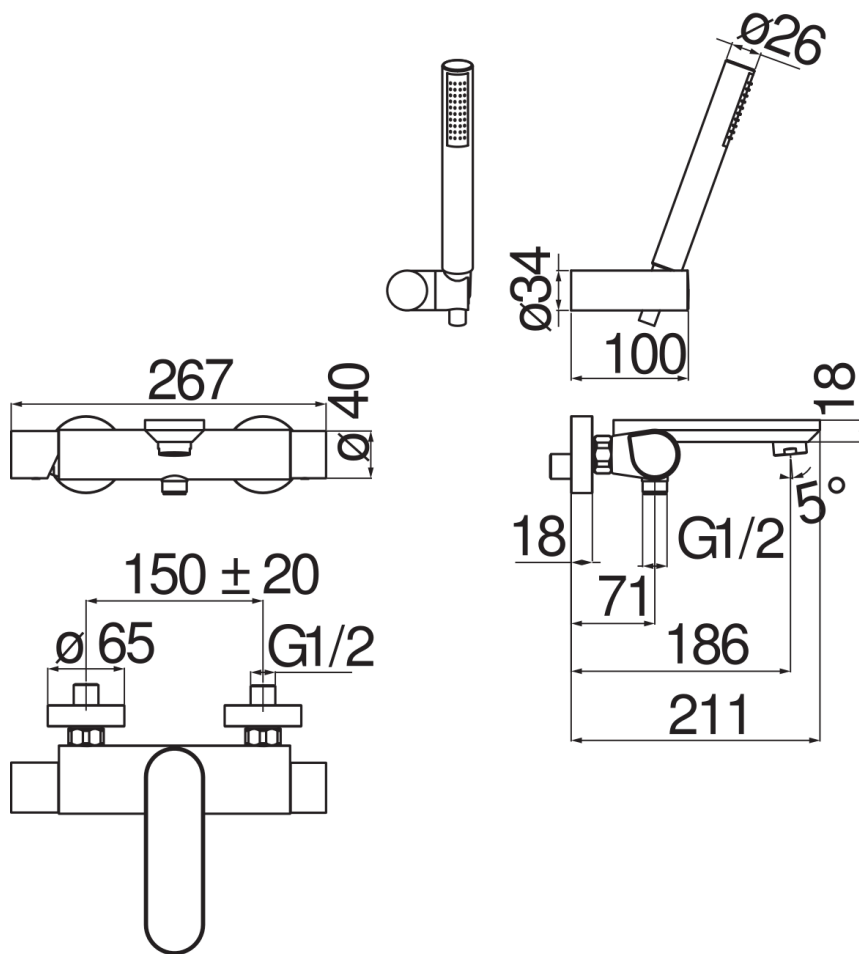


SPECIFICATIONS

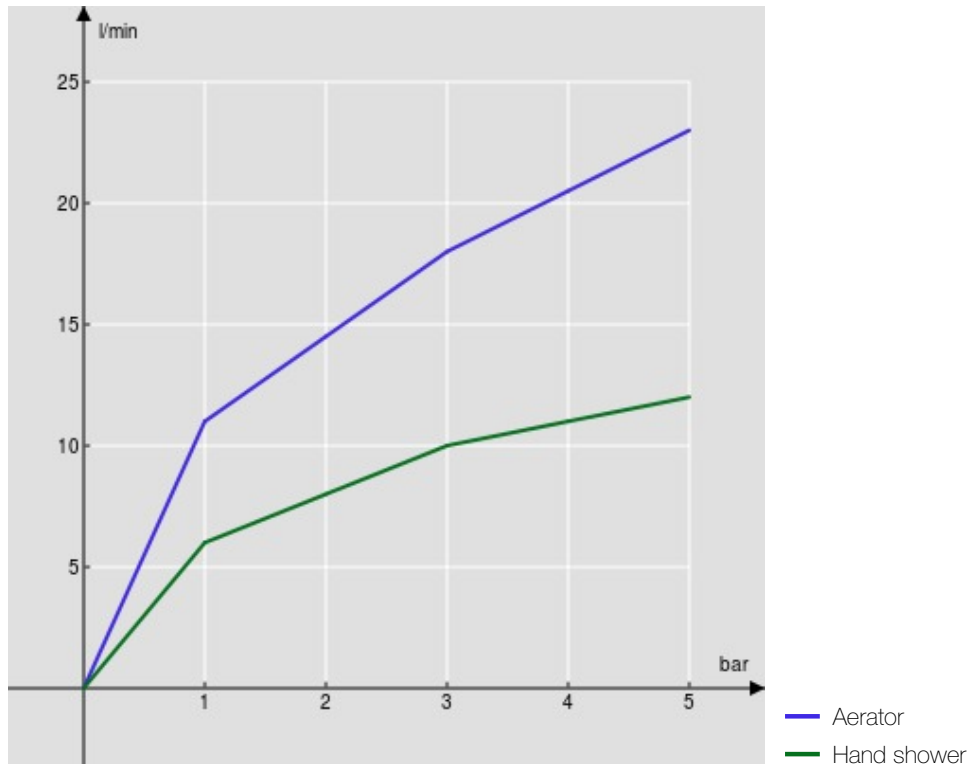
External single control mixer tap with shower set
Chrome
Anti limescale aerator M 28 x 1
Adjustable hand shower support
Single jet hand shower and 150 cm hose
50% two step cartridge for water saving
Packaging: 37,1 x 23,7 x 11 cm / 0,009671 m³ / 3,773 kg

CERTIFICATIONS





FLOW RATE DIAGRAM: HOT/COLD WATER



FLOW RATE DIAGRAM: MIXED WATER

