



SPECIFICATIONS

Single control

Chrome

Anti limescale aerator M 16,5 x 1, swivel jet

1 1/4" waste with patented SNAP system

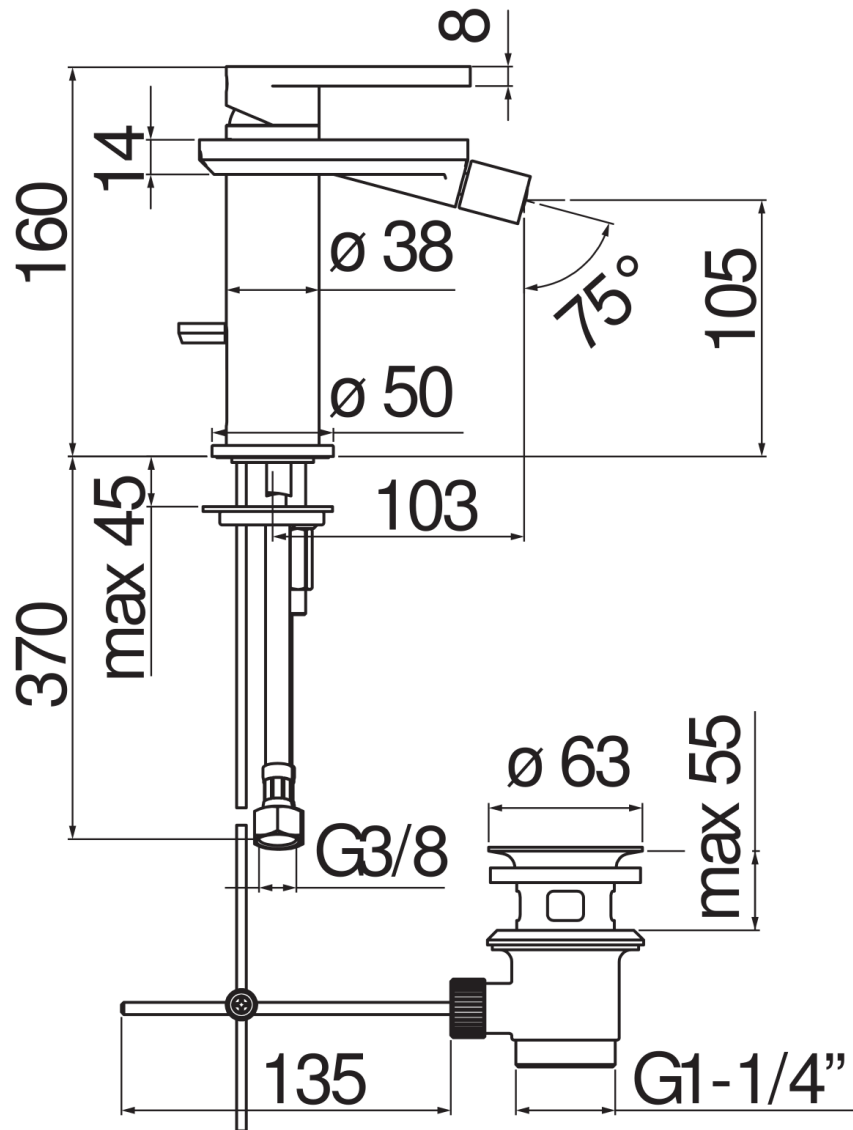
ø 3/8" stainless steel flexible pipe

50% two step cartridge for water saving

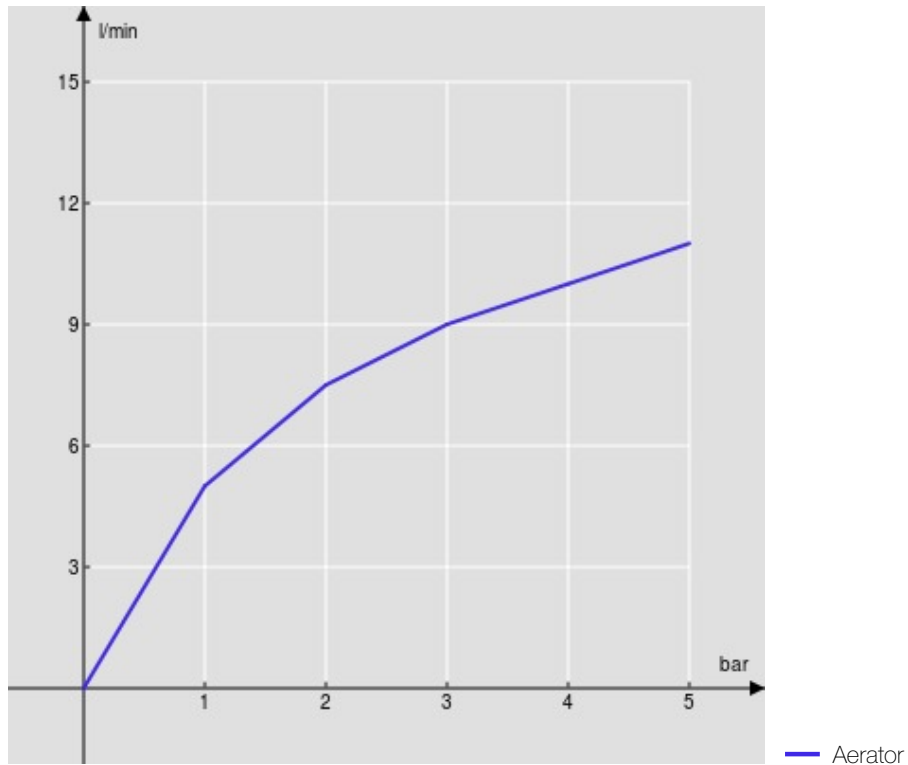
Packaging: 41 x 21 x 7 cm / 0,006066 m<sup>3</sup> / 2,00 kg

CERTIFICATIONS





FLOW RATE DIAGRAM: HOT/COLD WATER



FLOW RATE DIAGRAM: MIXED WATER

