



SPECIFICATIONS

Basin single control

Chrome

Anti limescale aerator M 24 x 1

1 1/4" push waste

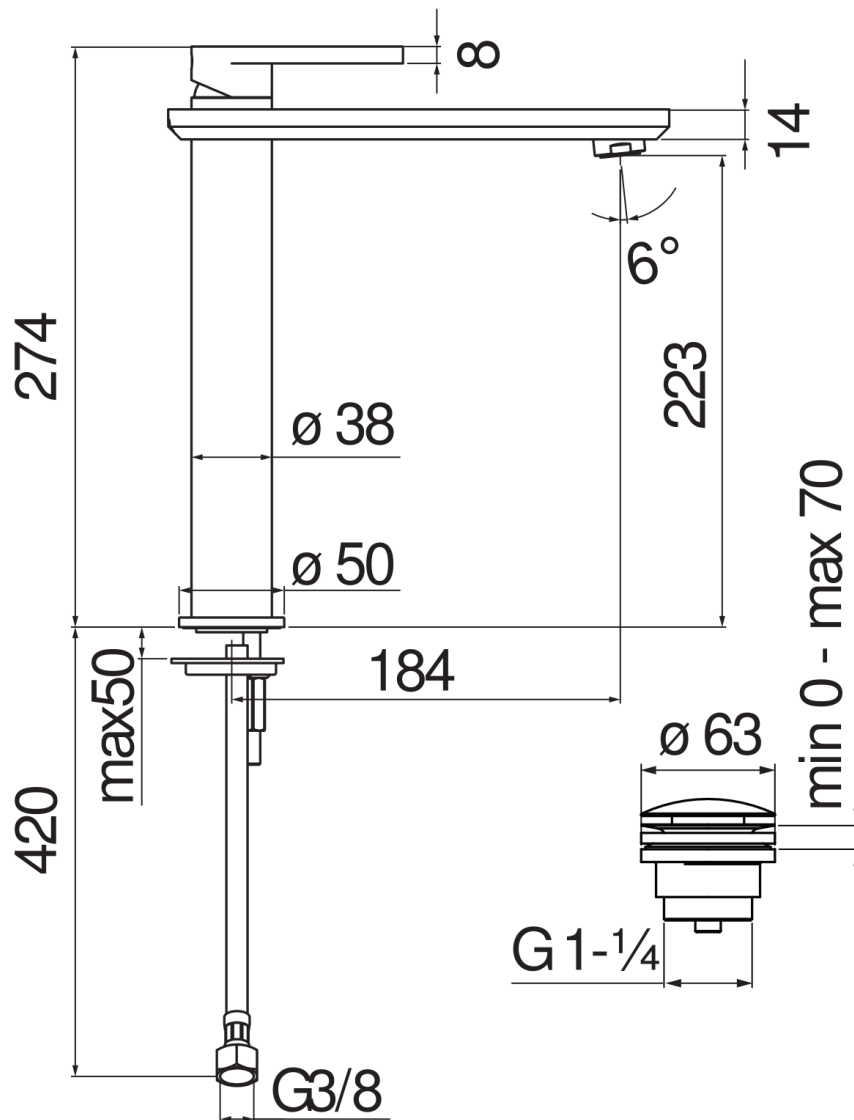
ø 3/8" stainless steel flexible pipe

50% two step cartridge for water saving

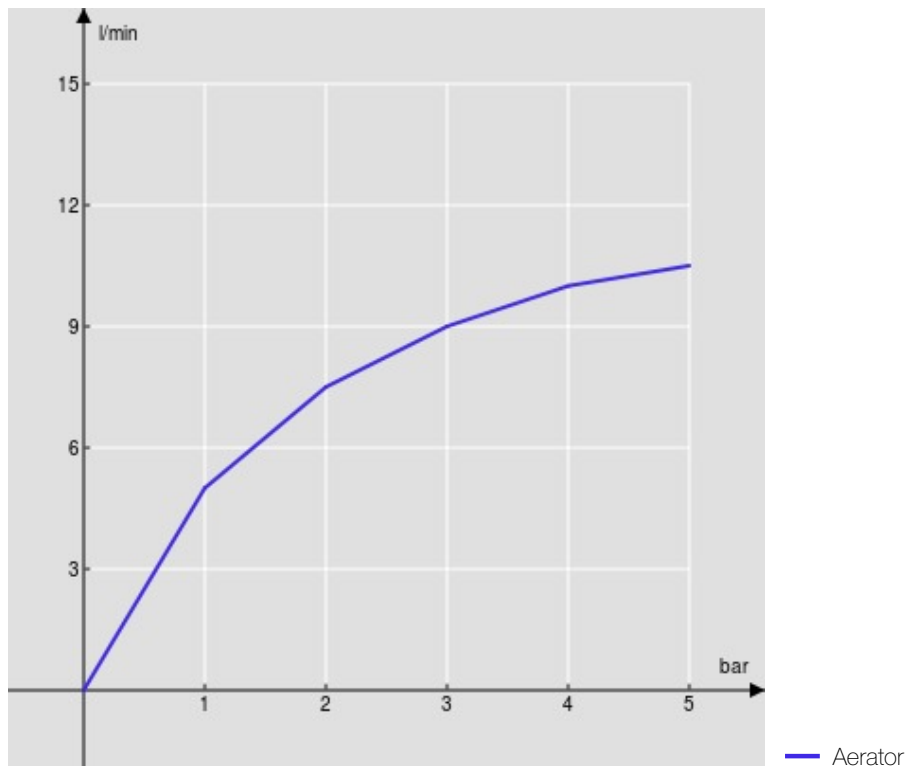
Packaging: 56,5 x 29 x 7,1 cm / 0,011633 m³ / 3,154 kg

CERTIFICATIONS





FLOW RATE DIAGRAM: HOT/COLD WATER



FLOW RATE DIAGRAM: MIXED WATER

