



SPECIFICATIONS

Built-in 1-way single control mixer

Chrome

ø 1/2" hot and cold water inlet

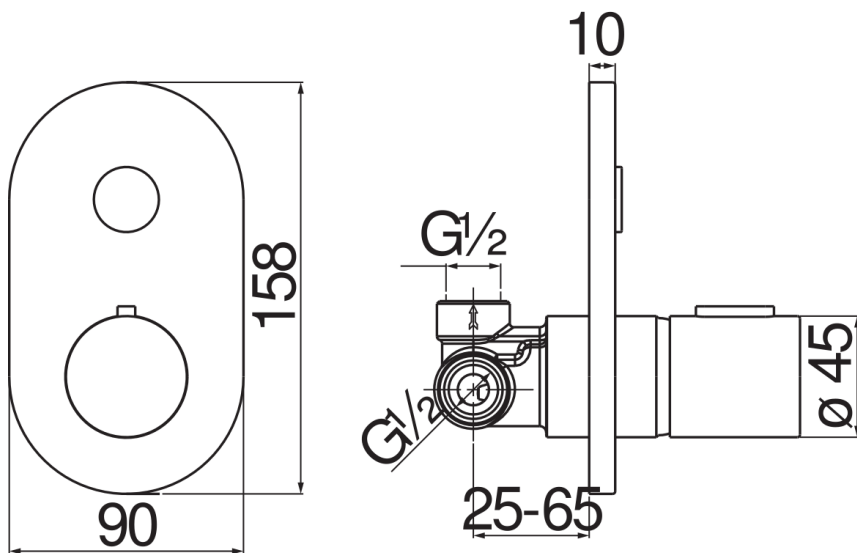
ø 1/2" outlet

External part and flush-fit part

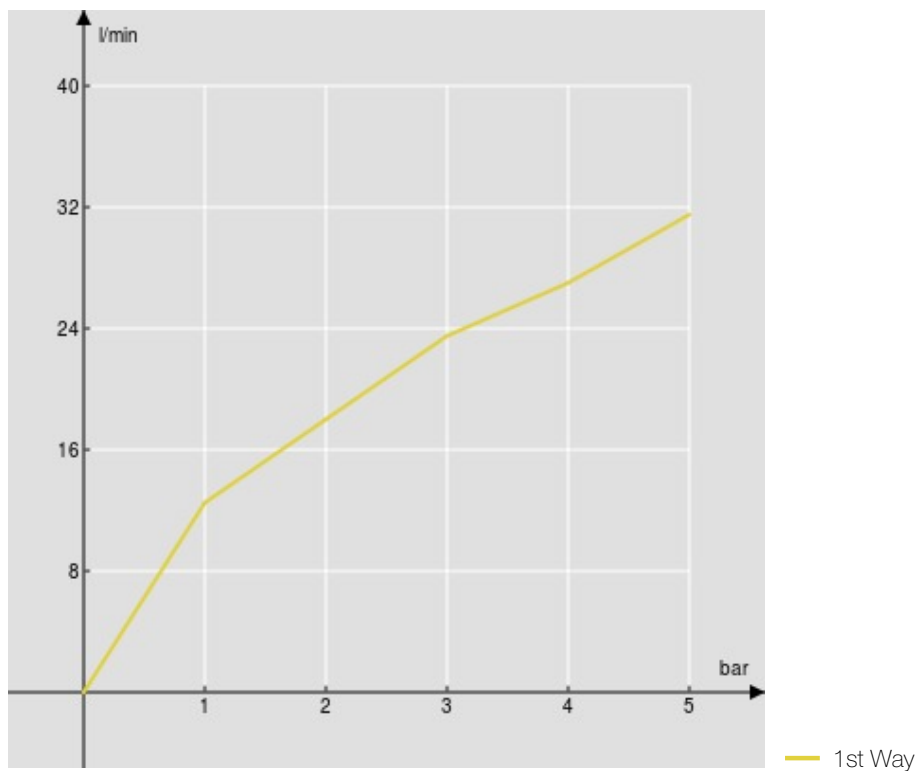
Packaging: 16,5 x 21,5 x 17,1 cm / 0,00607 m³ / 1,5 kg

CERTIFICATIONS





FLOW RATE DIAGRAM: HOT/COLD WATER



FLOW RATE DIAGRAM: MIXED WATER

