



SPECIFICATIONS

Built-in 1-way single control mixer

Velvet black

Invisible o-ring resistance

Waterproof wall fixing

ø 1/2" hot and cold water inlet

ø 1/2" outlet

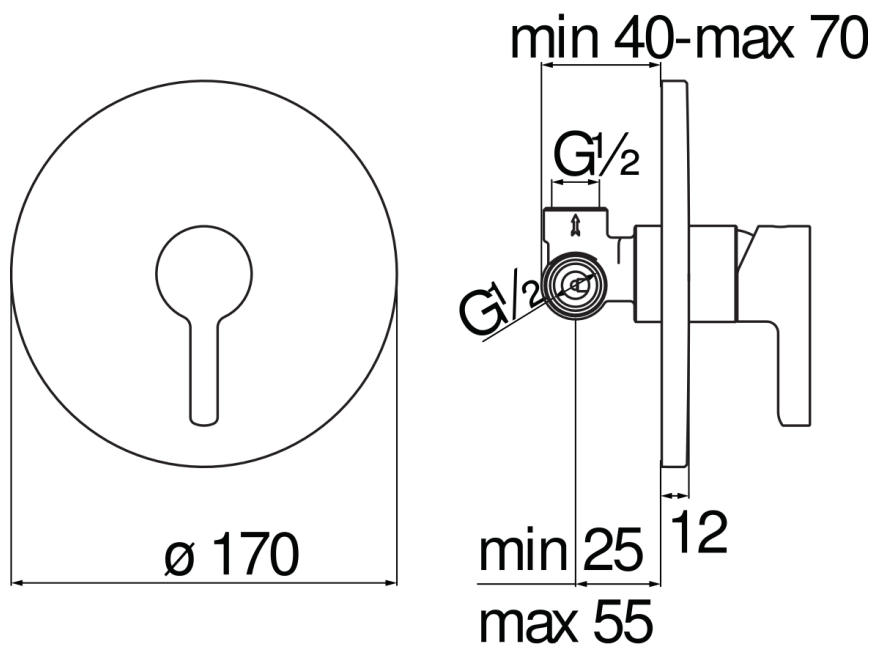
External part and flush-fit part

50% two step cartridge for water saving

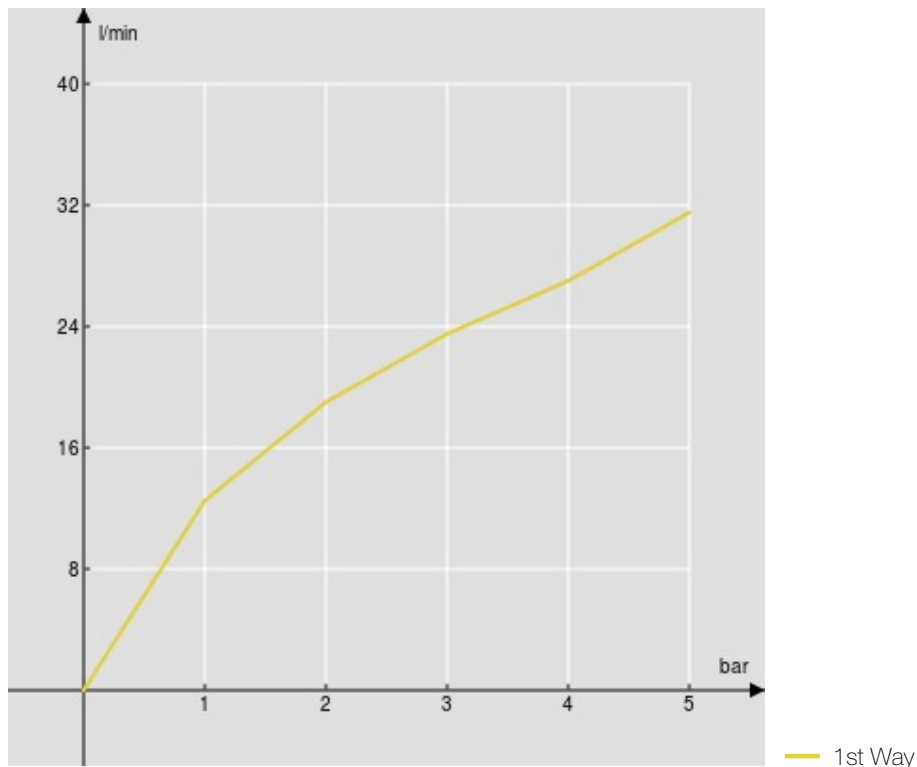
Packaging: 17,1 x 10,8 x 11 cm / 0,00203 m³ / 1,27 kg

CERTIFICATIONS





FLOW RATE DIAGRAM: HOT/COLD WATER



FLOW RATE DIAGRAM: MIXED WATER

