



#### SPECIFICATIONS

3-hole set

Chrome

Anti limescale aerator M 18,5 x 1

Swivel spout

Swivel jet

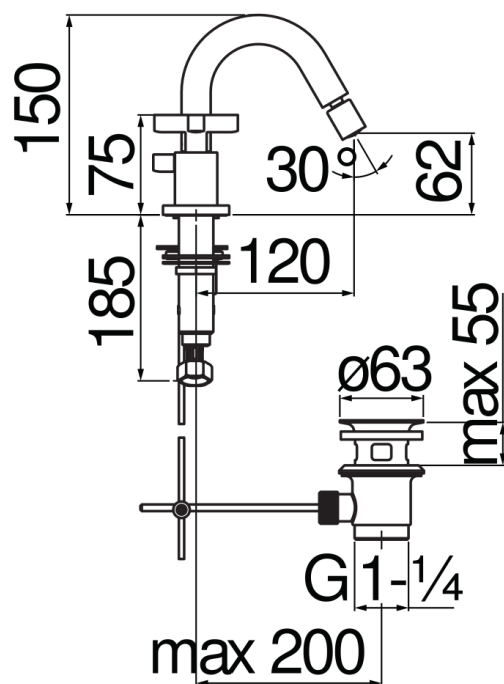
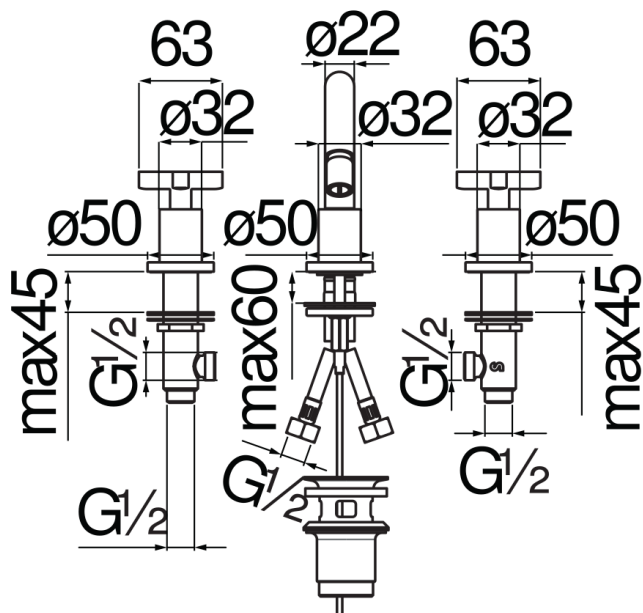
1 1/4" waste with patented SNAP system

ø 3/8" stainless steel flexible pipe

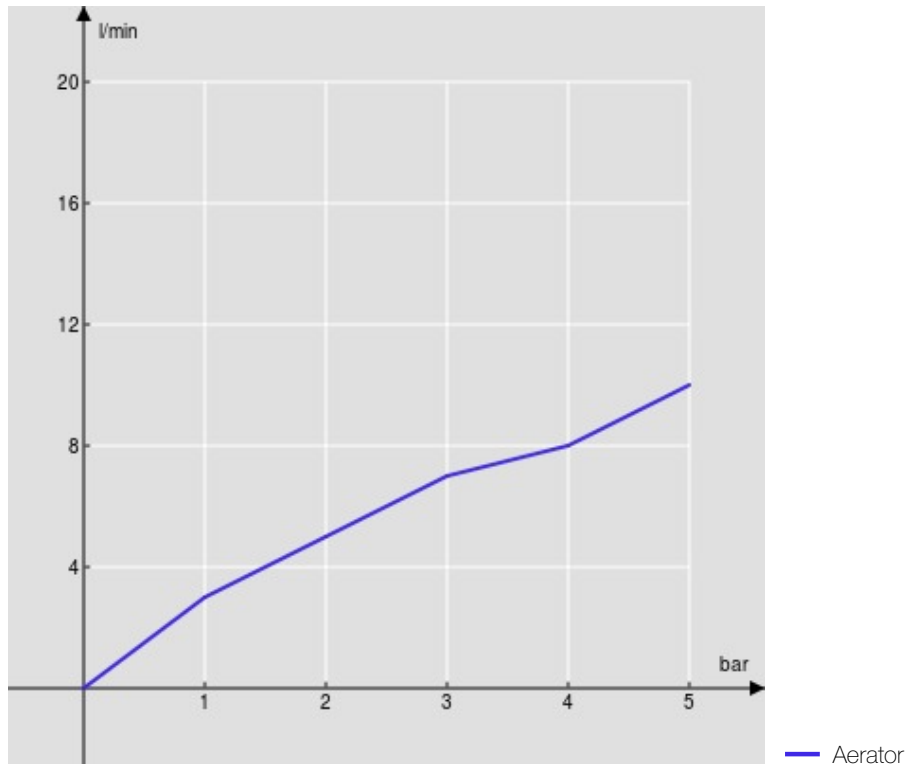
Packaging: 56,5 x 29 x 7,1 cm / 0,011633 m<sup>3</sup> / 3,138 kg

#### CERTIFICATIONS





FLOW RATE DIAGRAM: HOT/COLD WATER



FLOW RATE DIAGRAM: MIXED WATER

