

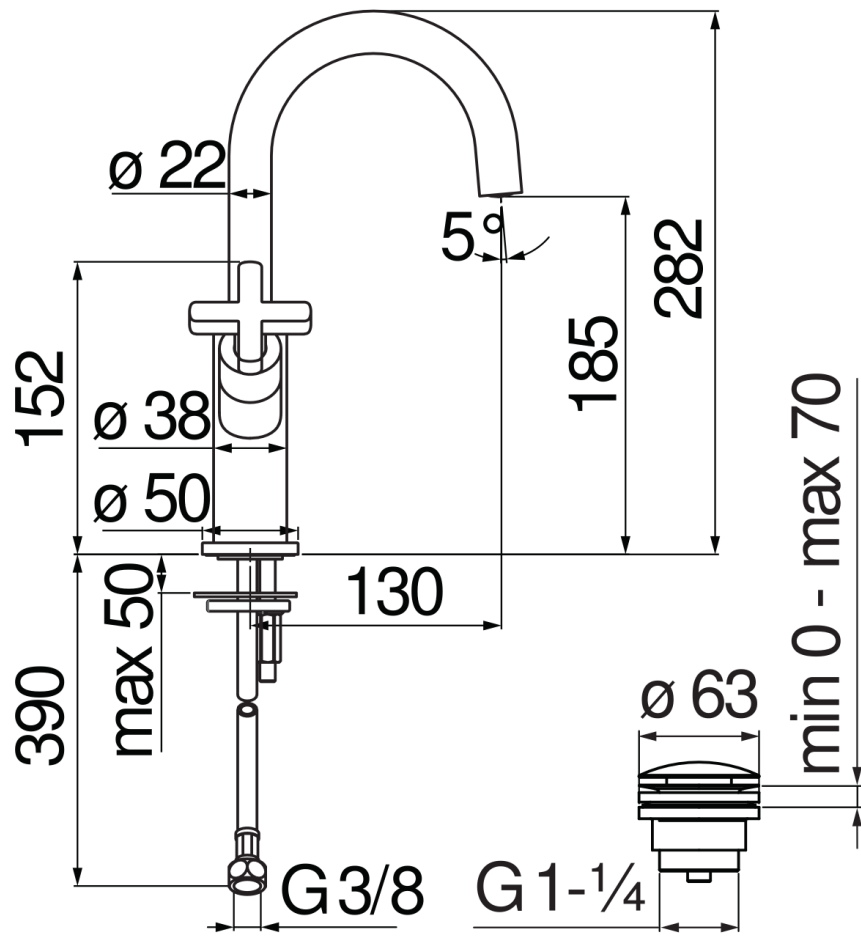


SPECIFICATIONS

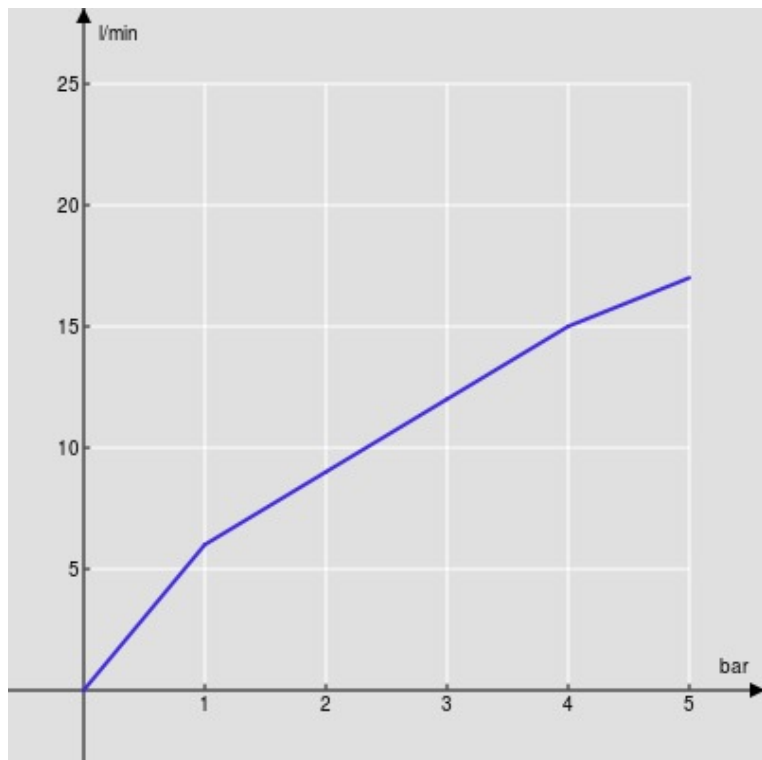
Dual control  
Chrome  
Anti limescale aerator M 18,5 x 1  
Swivel spout  
1 1/4" push waste  
ø 3/8" stainless steel flexible pipe  
Packaging: 56,5 x 29 x 7,1 cm / 0,011633 m<sup>3</sup> / 2,965 kg

CERTIFICATIONS





FLOW RATE DIAGRAM: HOT/COLD WATER



FLOW RATE DIAGRAM: MIXED WATER

