

#### SPECIFICATIONS

Wall mounted 3 hole set with long spout external part

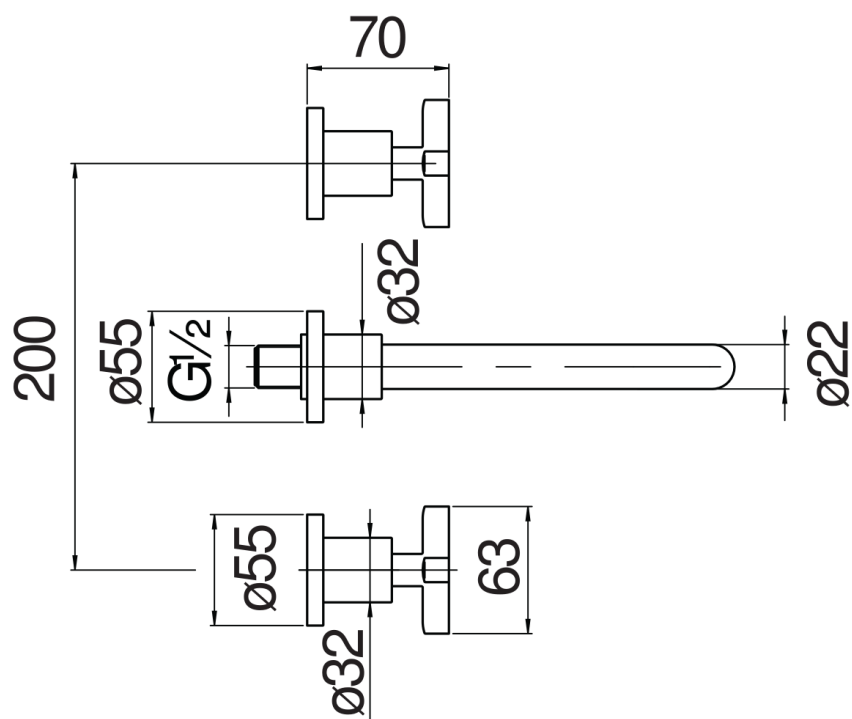
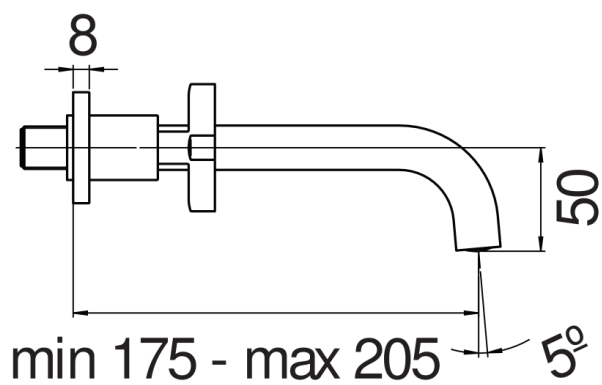
Chrome

Anti limescale aerator M 18,5 x 1

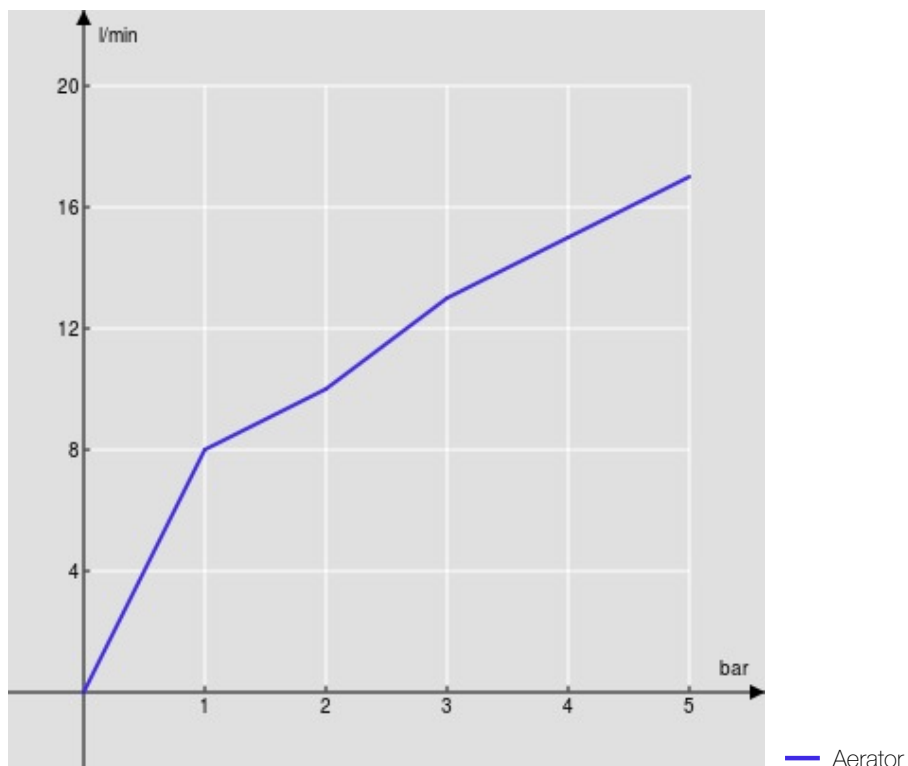
Length of spout: min 175 - max 205 mm

Without waste

Packaging: 41 x 21 x 7 cm / 0,006027 m<sup>3</sup> / 2,468 kg



FLOW RATE DIAGRAM: HOT/COLD WATER



FLOW RATE DIAGRAM: MIXED WATER

