

SPECIFICATIONS

External thermostatic mixer

Velvet black

38° C safety cut-out

Non-return valves

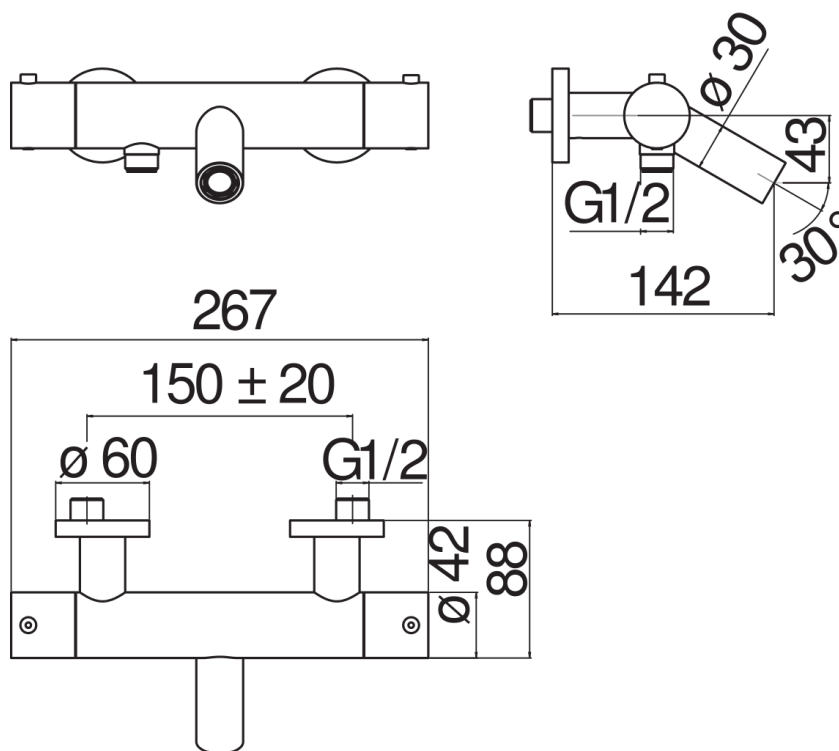
Anti limescale aerator M 24 x 1

ø 1/2" outlet

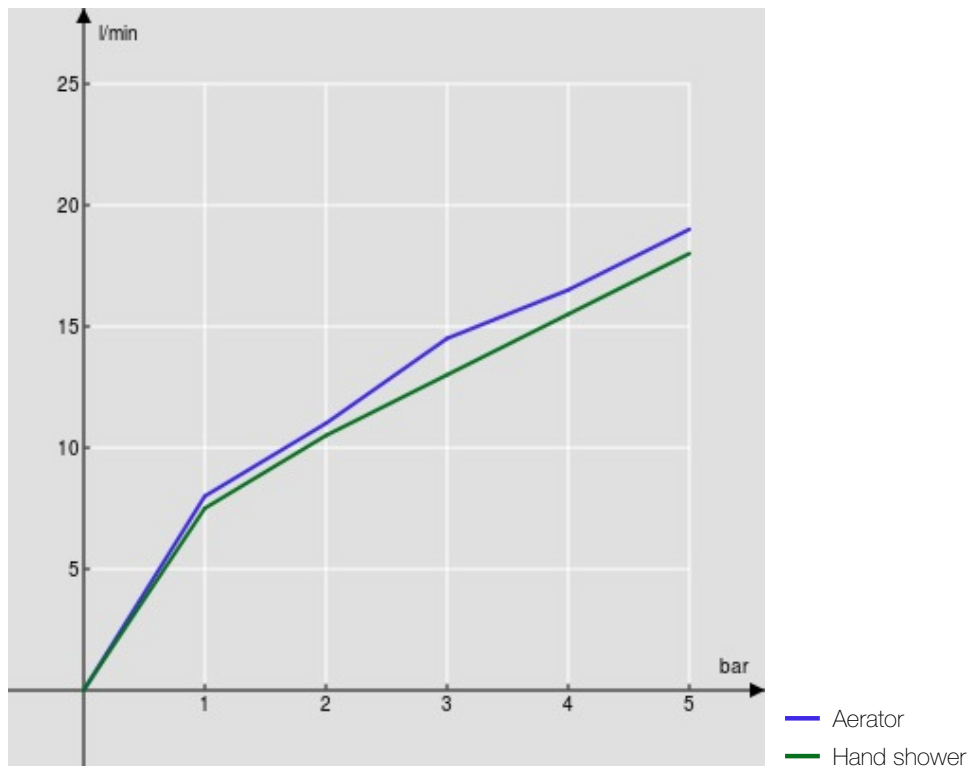
Packaging: 37,1 x 23,7 x 11 cm / 0,00967 m³ / 3,35 kg

CERTIFICATIONS





FLOW RATE DIAGRAM: HOT/COLD WATER



FLOW RATE DIAGRAM: MIXED WATER

