

SPECIFICATIONS

External thermostatic mixer

Velvet black

38° C safety cut-out

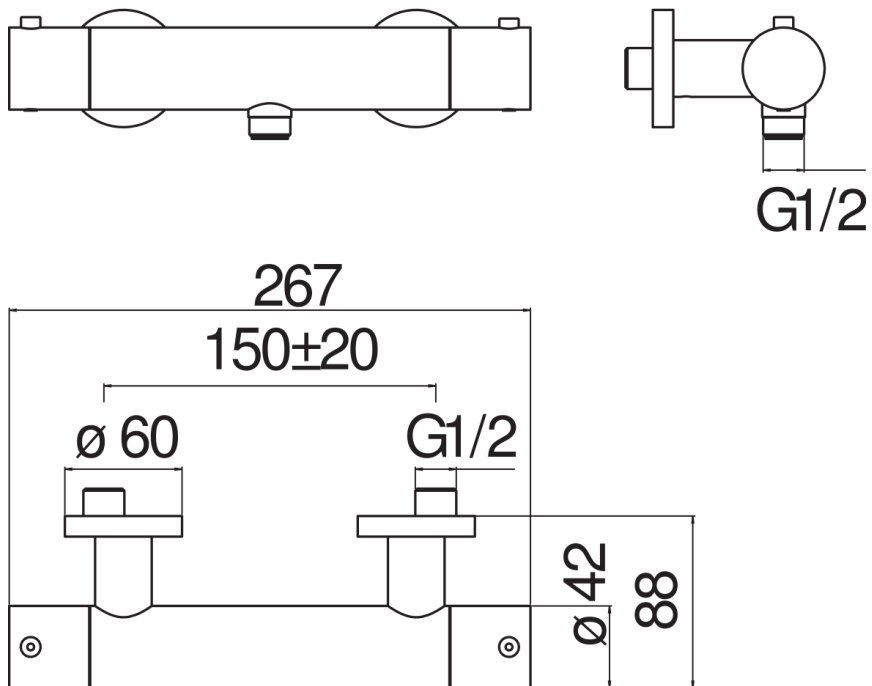
Non-return valves

ø 1/2" outlet

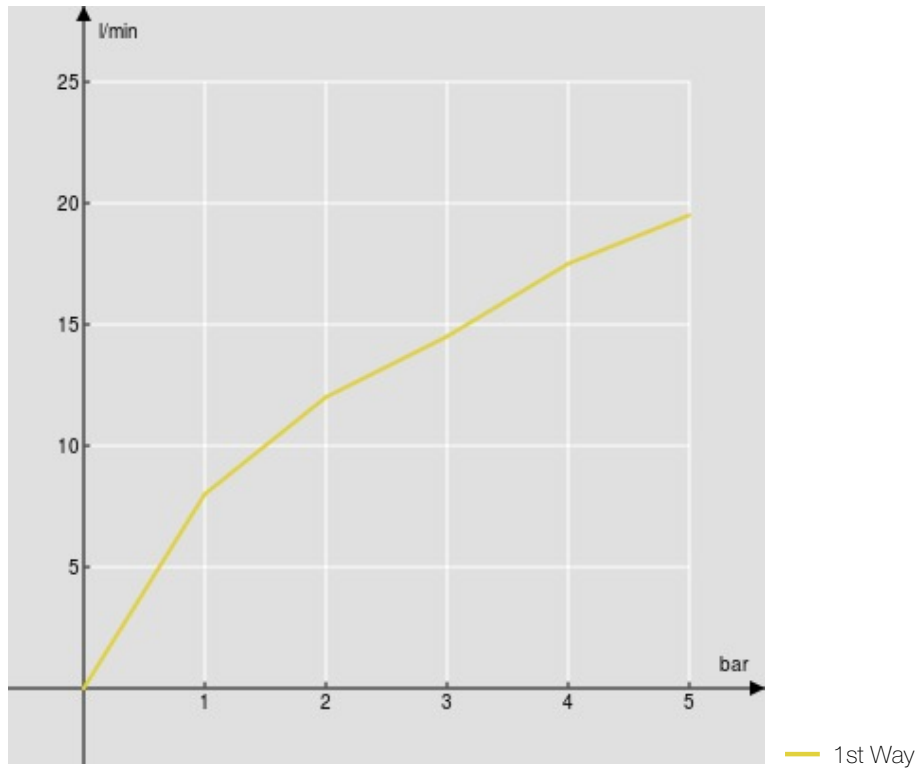
Packaging: 24 x 25 x 8 cm / 0,0048 m³ / 2,95 kg

CERTIFICATIONS





FLOW RATE DIAGRAM: HOT/COLD WATER



FLOW RATE DIAGRAM: MIXED WATER

