

#### SPECIFICATIONS

External thermostatic mixer

Chrome

38° C safety cut-out

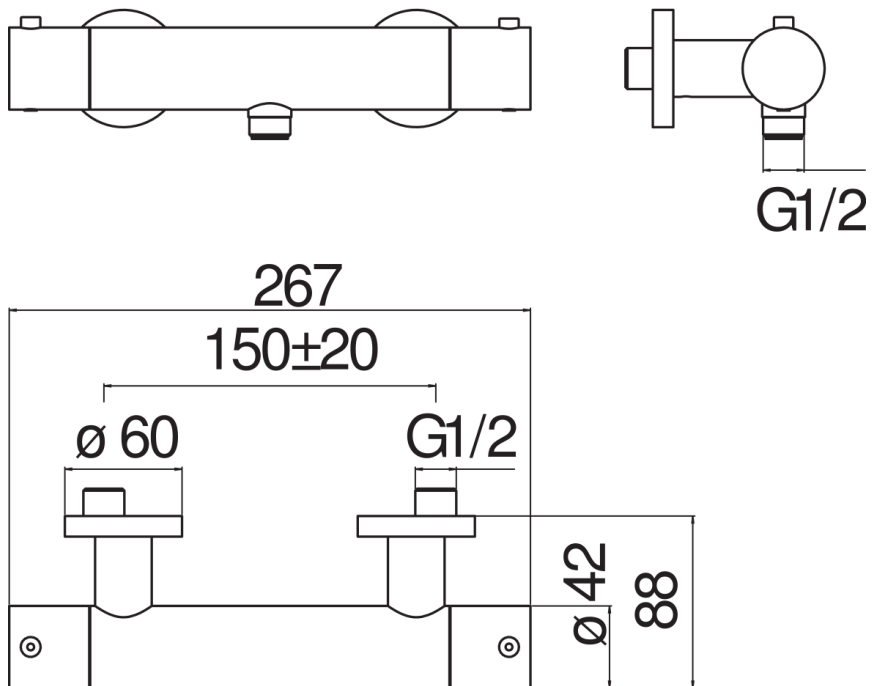
Non-return valves

ø 1/2" outlet

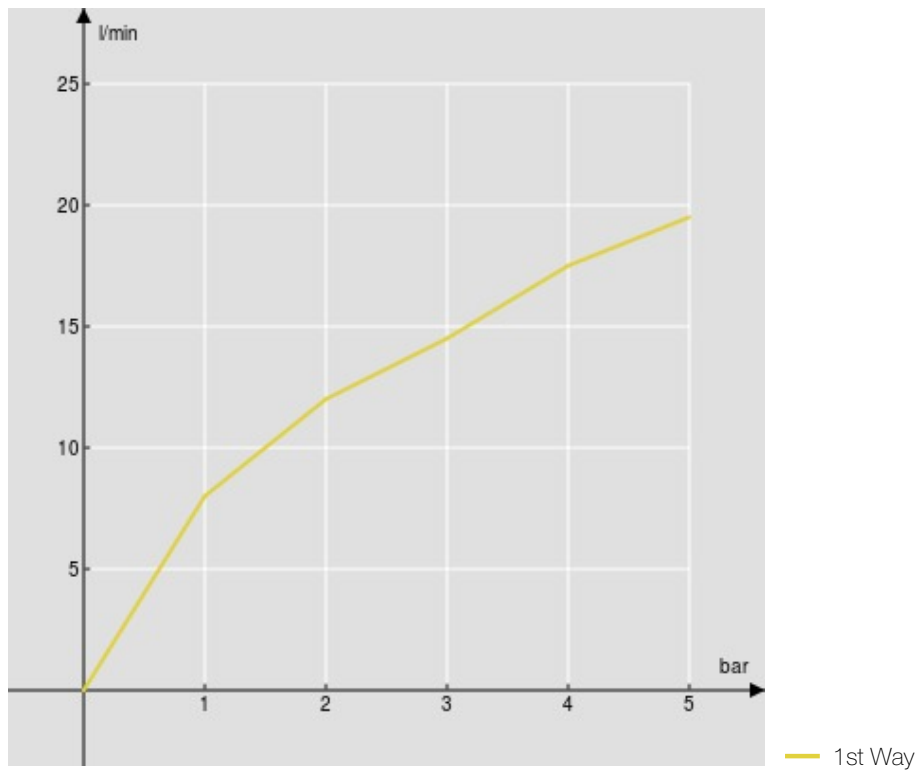
Packaging: 24 x 25 x 8 cm / 0,0048 m<sup>3</sup> / 2,95 kg

#### CERTIFICATIONS





FLOW RATE DIAGRAM: HOT/COLD WATER



FLOW RATE DIAGRAM: MIXED WATER

