

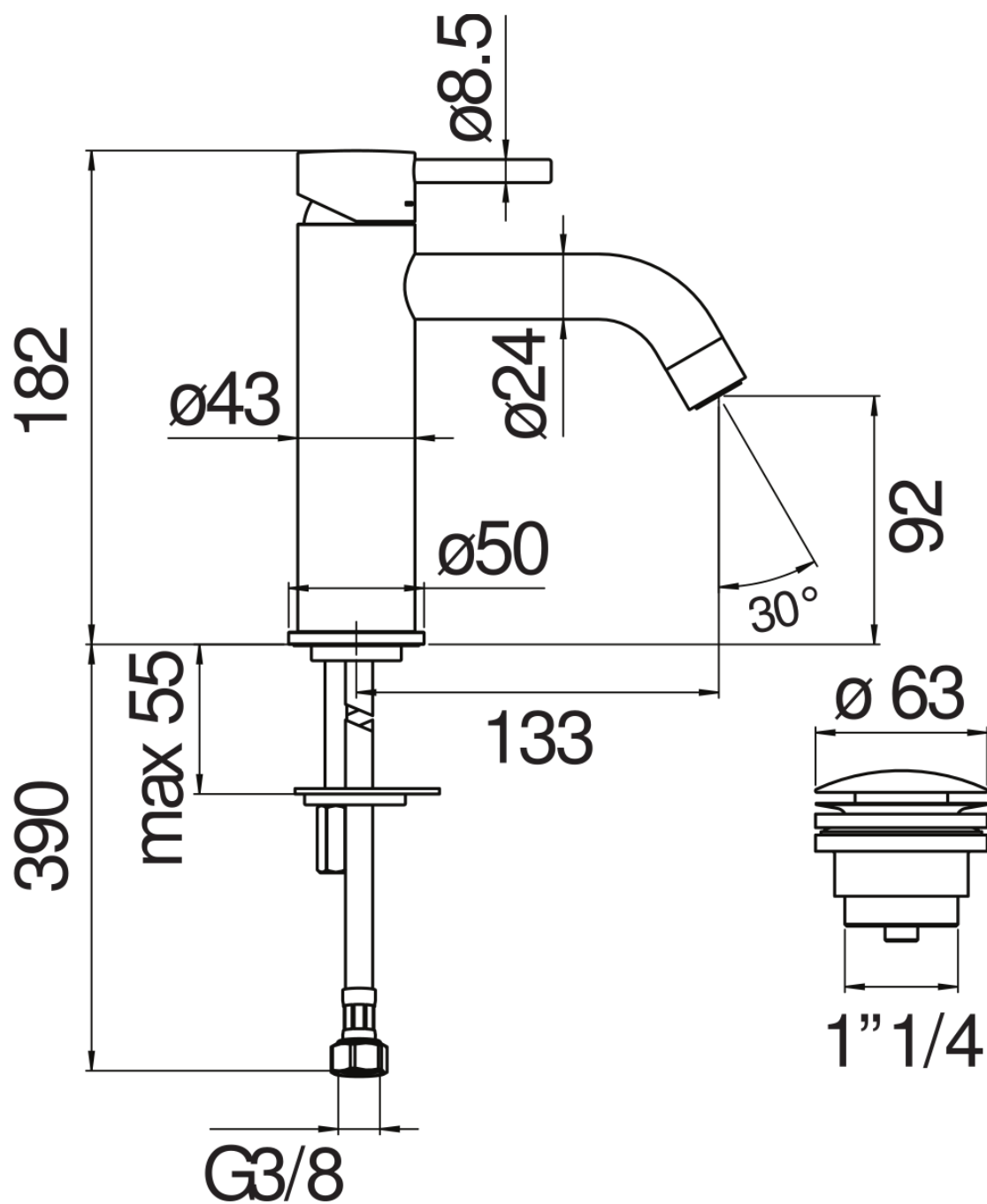


SPECIFICATIONS

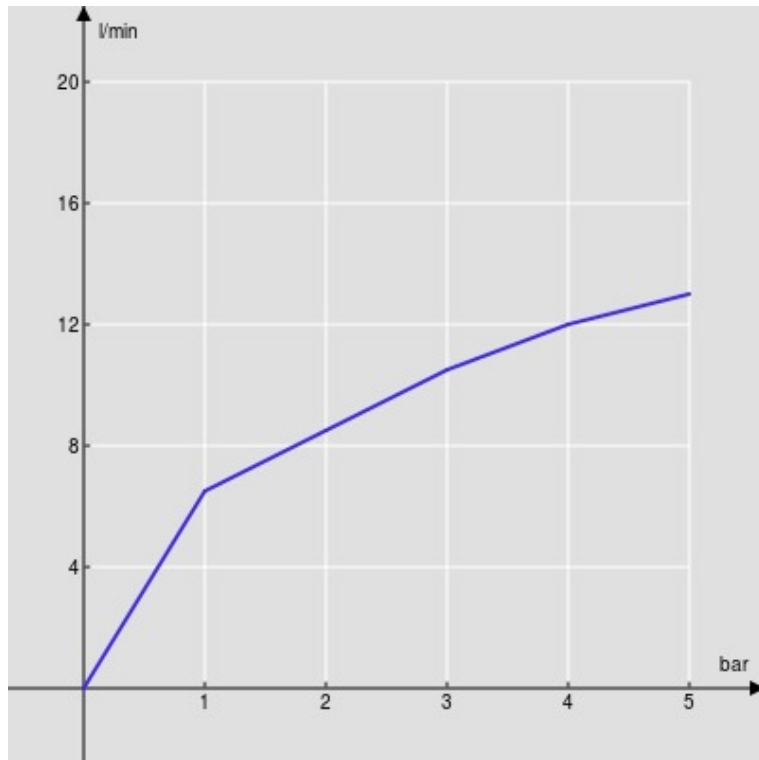
Single control
Inox brushed
Anti limescale aerator M 22 x 1, flow rate 5 l/min
1 1/4" push waste
ø 3/8" stainless steel flexible pipe
50% two step cartridge for water saving
Packaging: 41,2 x 16,4 x 7,1 cm / 0,0048 m³ / 1,85 kg

CERTIFICATIONS



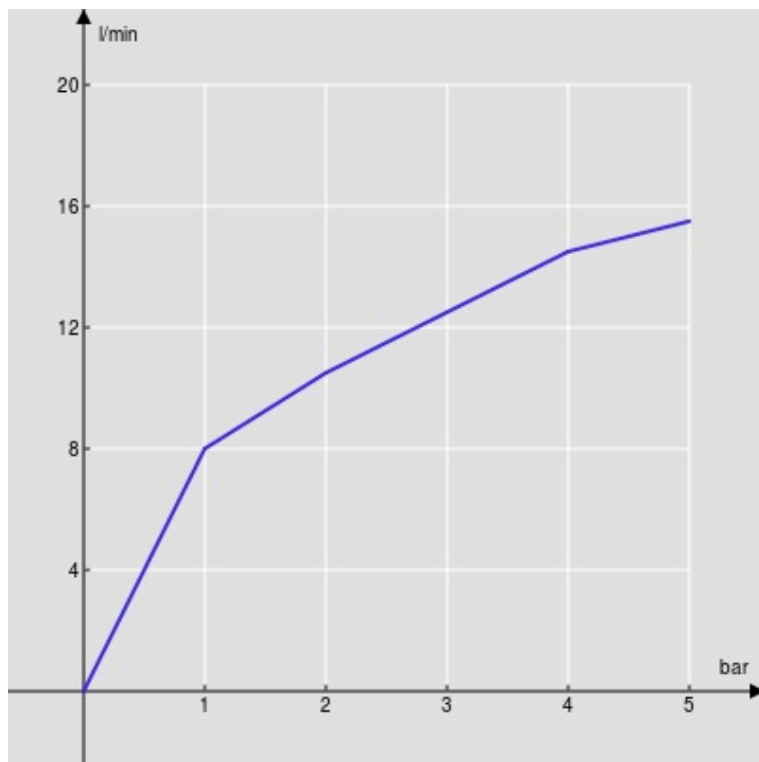


FLOW RATE DIAGRAM: HOT/COLD WATER



— Aerator

FLOW RATE DIAGRAM: MIXED WATER



— Aerator