



SPECIFICATIONS

Mechanical dual-lever with 4 litre pressurised water heater system

Inox brushed

50% two step cartridge for water saving

180° swivel spout (adaptable 120 ° or 360 °)

Anti limescale aerator M 22 x 1

ø 3/8" stainless steel flexible pipe

"Child-lock" patented safety system

"Cold Body" patented technology

Separate dispensing channels for boiling filtered water

EC certified 316 L stainless steel undercounter 4-litre electronic water heater

Dispenses instant boiling water at 99 °C (up to 2.6 litres > 99 °C)

GIOIA 5-stage filter (maximum duration 1 year or average capacity of 1,700 litres at 18 °f @ bypass level 6)

Maximum power rating 1650 W

Voltage 230 V (50 Hz)

EU Schuko power supply

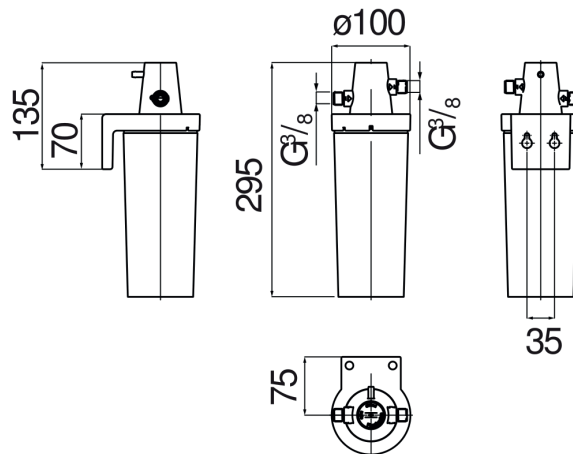
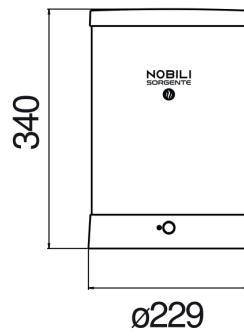
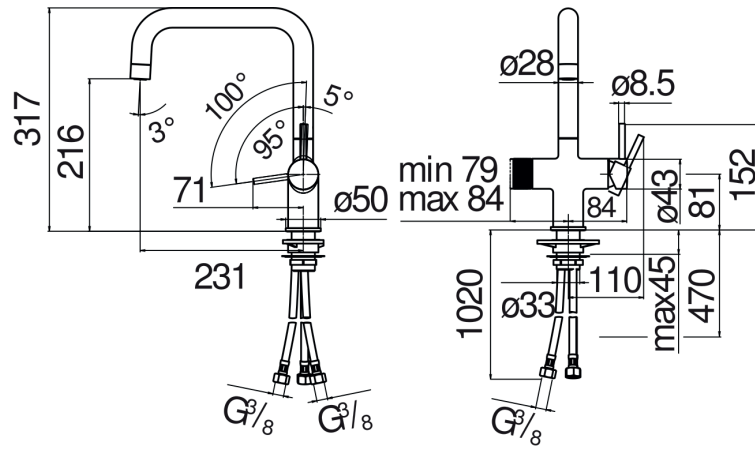
150 cm power supply cable

Max noise level 15 dB

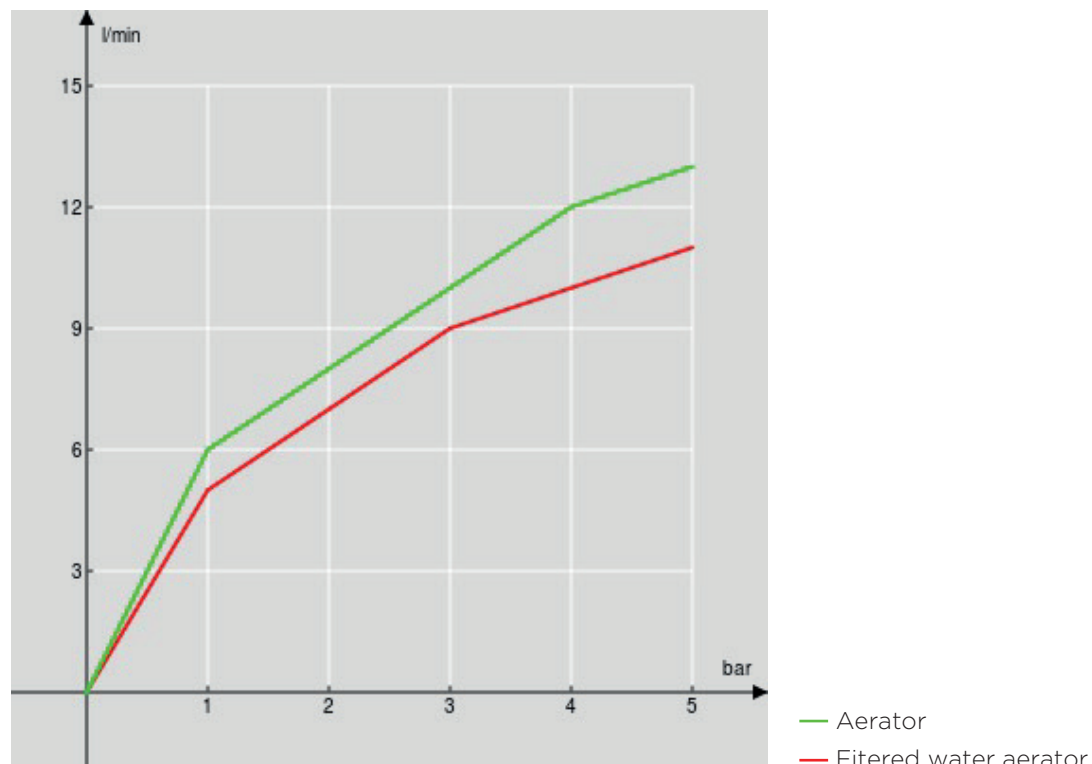
N.B.: variant with UK plug available with another product code

N.B.: product not intended for the French market

N.B.: we recommend the purchase of the filter capacity control litre meter (optional)



FLOW RATE DIAGRAM: HOT/COLD WATER



FLOW RATE DIAGRAM: MIXED WATER

