



SPECIFICATIONS

Electronic dual-lever with All-in-One system

Ambra brushed PVD

50% two step cartridge for water saving

180° swivel spout (adaptable 120 ° or 360 °)

Dual Flow aerator M 22 x 1

ø 3/8" stainless steel flexible pipe

Colour LEDs to select the type of water to dispense (room temperature filtered water, chilled water, carbonated chilled water, boiling filtered water)

Separate dispensing channels for filtered water, carbonated filtered water and boiling filtered water

EC certified electronic All-in-One device

Chilled water temperature can be selected between 4°C and 10°C using the Nobili Sorgente app

Customisable degree of carbonation

Dispenses instant boiling water at 99 °C (up to 2.6 litres > 99 °C)

Dispenses up to 1.7 litres below 10°C

Chills by 10 °C up to 2.2 litres of water in 8 minutes (approximately 16.5 l/hour, inlet water temperature 15 °C)

GIOIA 5-stage filter with RFID\* technology (maximum duration 1 year or average capacity of 1,700 litres at 18 °f @ bypass level 6)

CO2 cylinder included in the set (compatible with all cylinders with Sodastream TP21x4 compatible coupling)

WiFi connectivity with the Nobili Sorgente App on Android and Apple (available from Google Play Store and Apple Store respectively)

Maximum power rating 1800 W

Voltage 230 V (50 Hz)

EU Schuko power supply

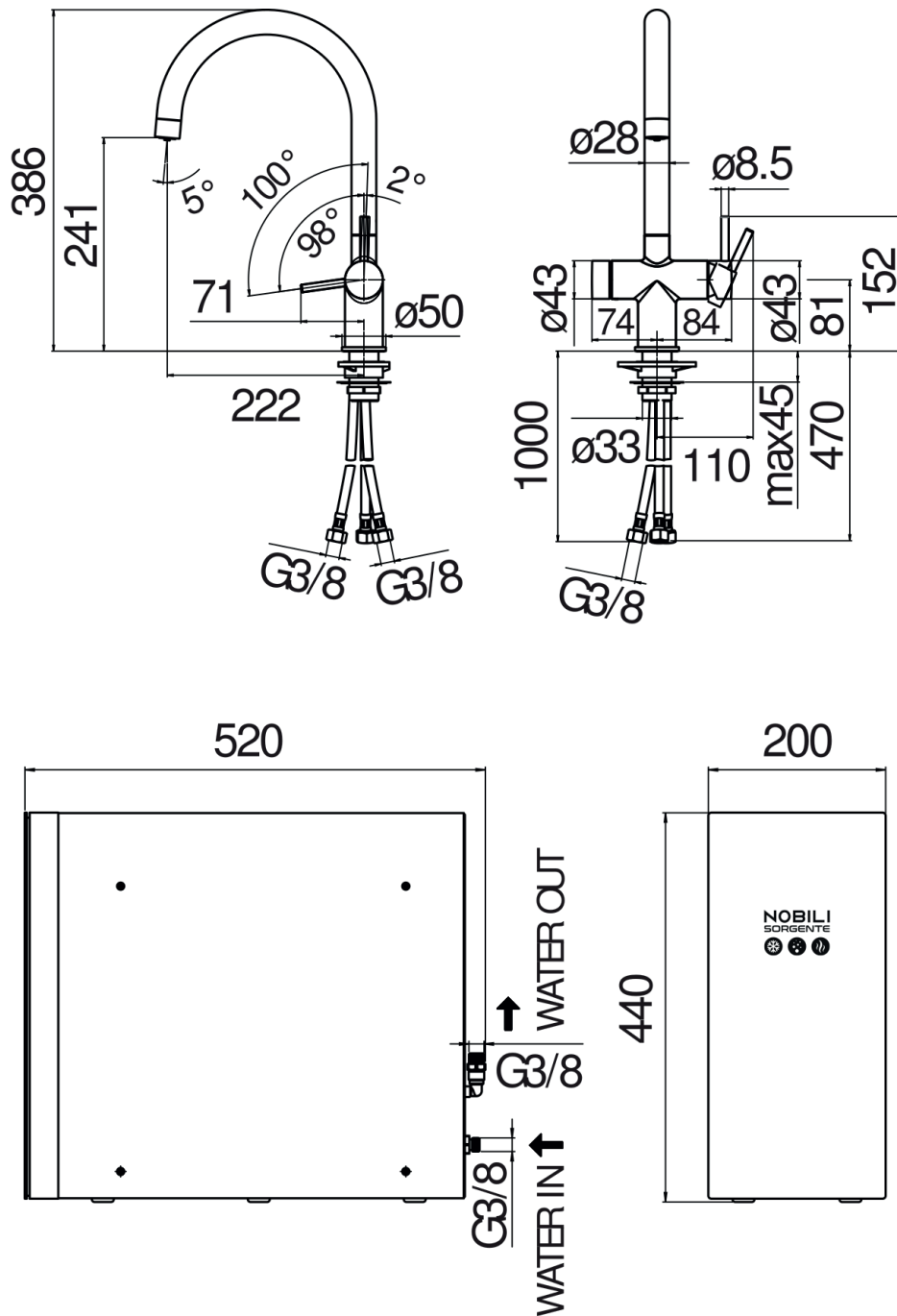
\*Single compatible filter available for purchase from Nobili or distributors

N.B.: variant with UK plug available with another product code

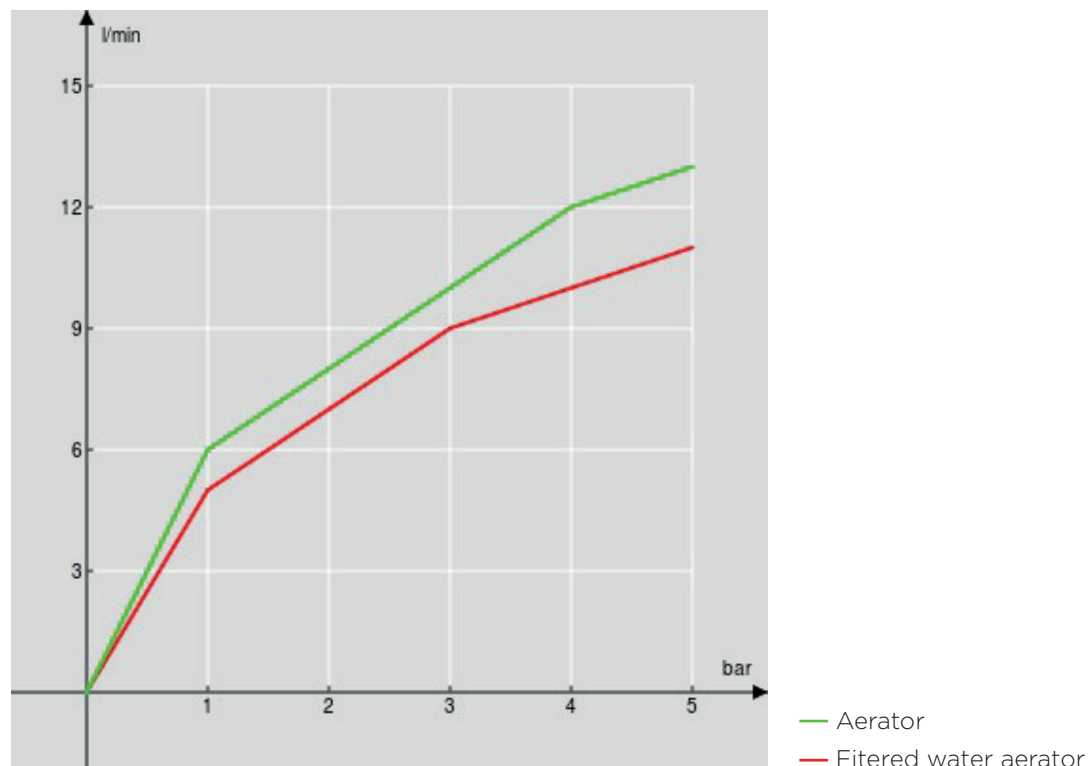
N.B.: minimum installation requirements L 30 x D 55 x H 49 cm (subject to proper cabinet ventilation)

N.B.: product not intended for the French market

The Apple and Apple Store trademarks are the sole property of Apple Inc., registered trademark. Apple is not responsible for the operation of this device, nor for its compatibility with it and/or with regulating safety standards.



FLOW RATE DIAGRAM: HOT/COLD WATER



FLOW RATE DIAGRAM: MIXED WATER

