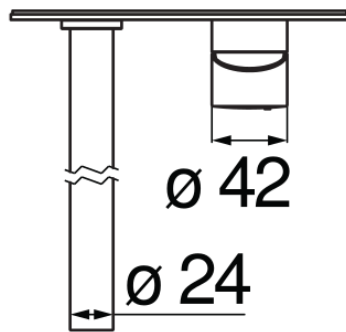
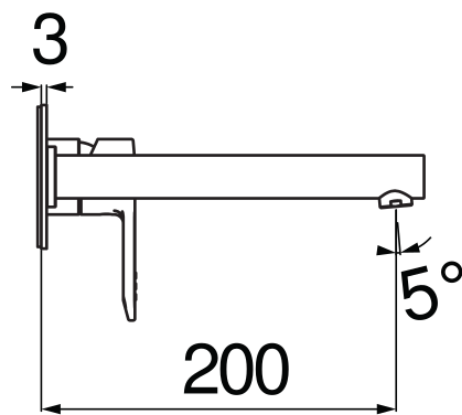
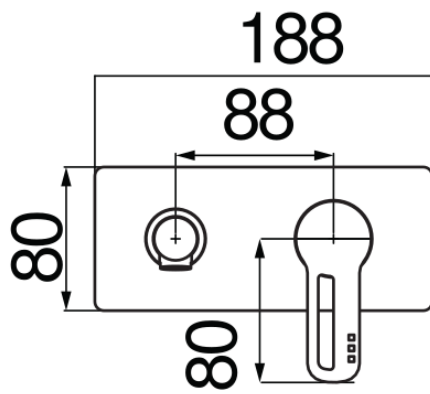


SPECIFICATIONS

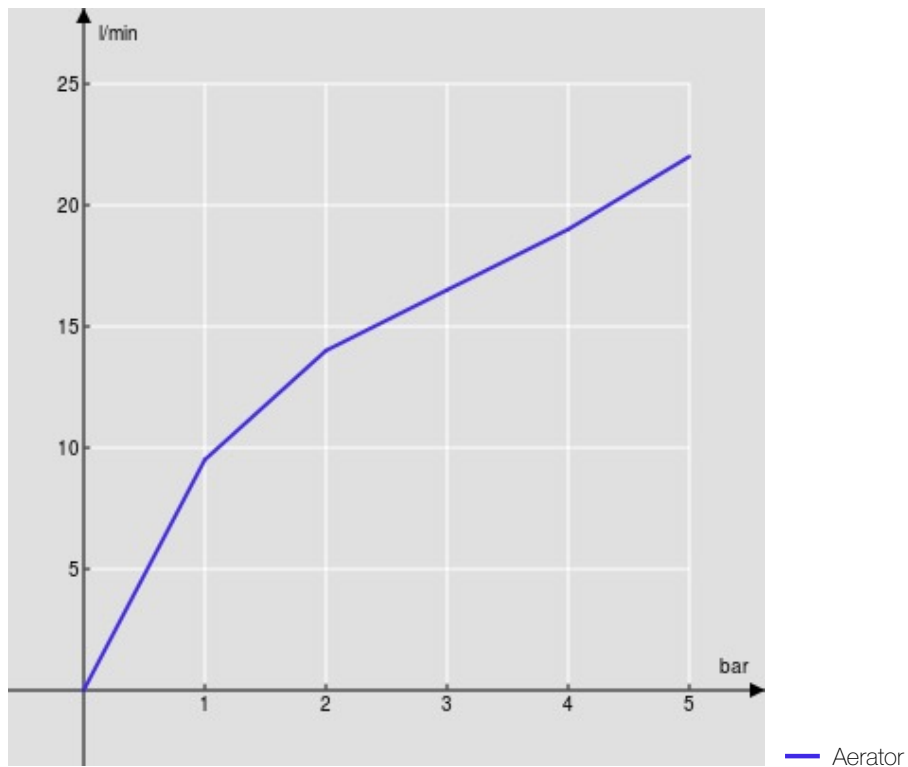
Wall-mounted single control external part long spout
Chrome
Anti limescale aerator M 18 x 1
Length of spout 200 mm
Without waste
50% two step cartridge for water saving
Packaging: 32 x 16,5 x 7 cm / 0,0037 m³ / 2 kg

CERTIFICATIONS





FLOW RATE DIAGRAM: HOT/COLD WATER



FLOW RATE DIAGRAM: MIXED WATER

