

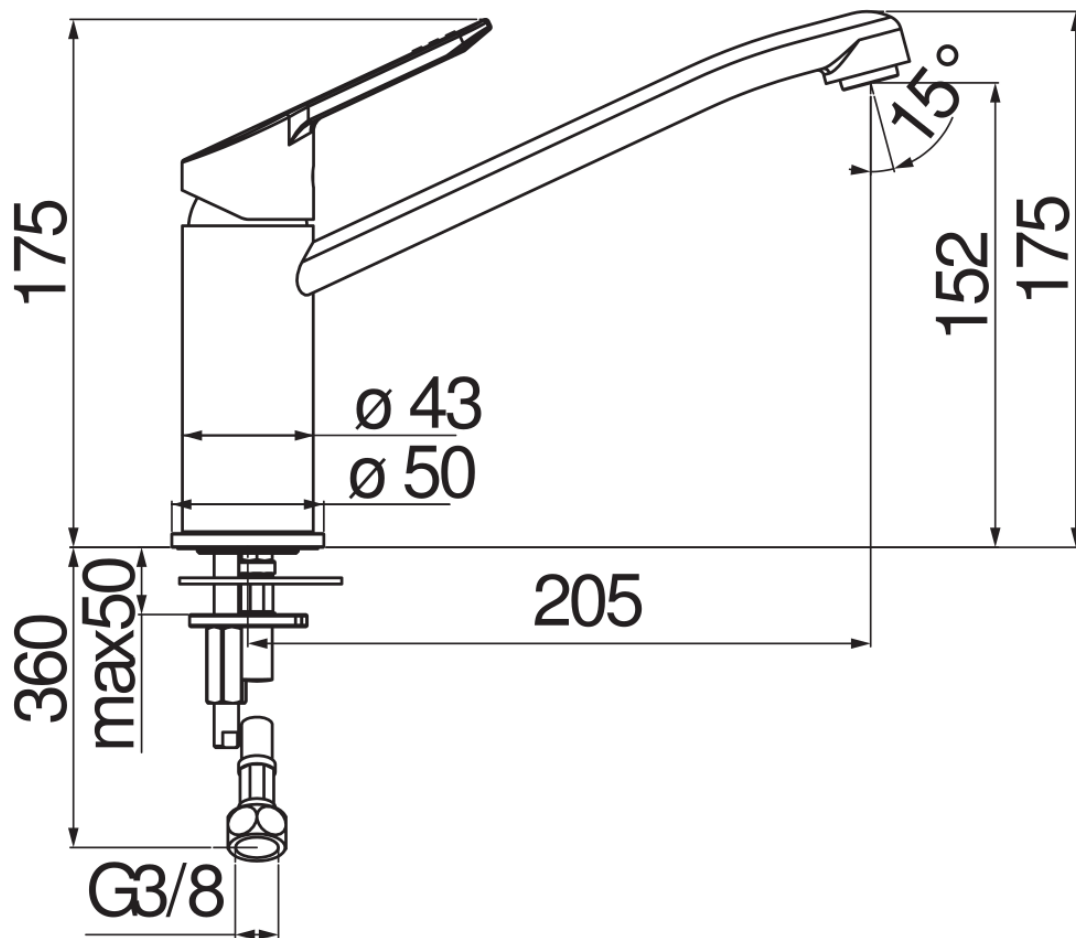


SPECIFICATIONS

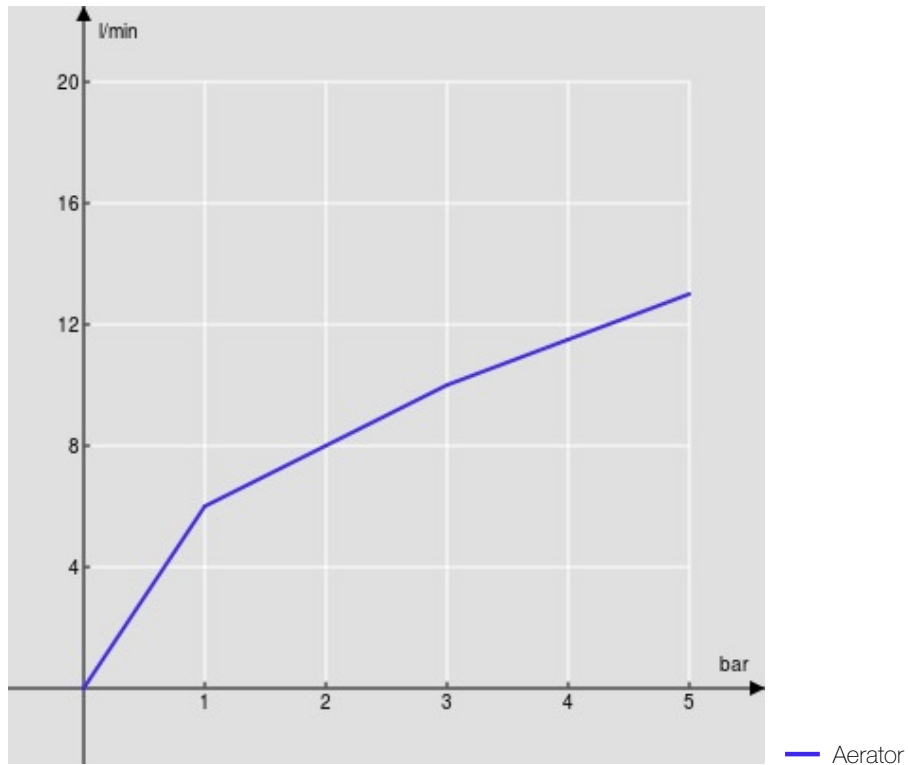
Energy saving single control
Chrome
360° swivel body
Anti limescale aerator M 24 x 1
ø 3/8" stainless steel flexible pipe
Energy saving system with cold water side opening
50% two step cartridge for water saving
Packaging: 41,5 x 21,2 x 7,8 cm / 0,00686 m³ / 1,55 kg

CERTIFICATIONS





FLOW RATE DIAGRAM: HOT/COLD WATER



FLOW RATE DIAGRAM: MIXED WATER

