



SPECIFICATIONS

Energy and water saving single control

Chrome

Anti limescale aerator M 22 x 1, flow rate 5 l/min

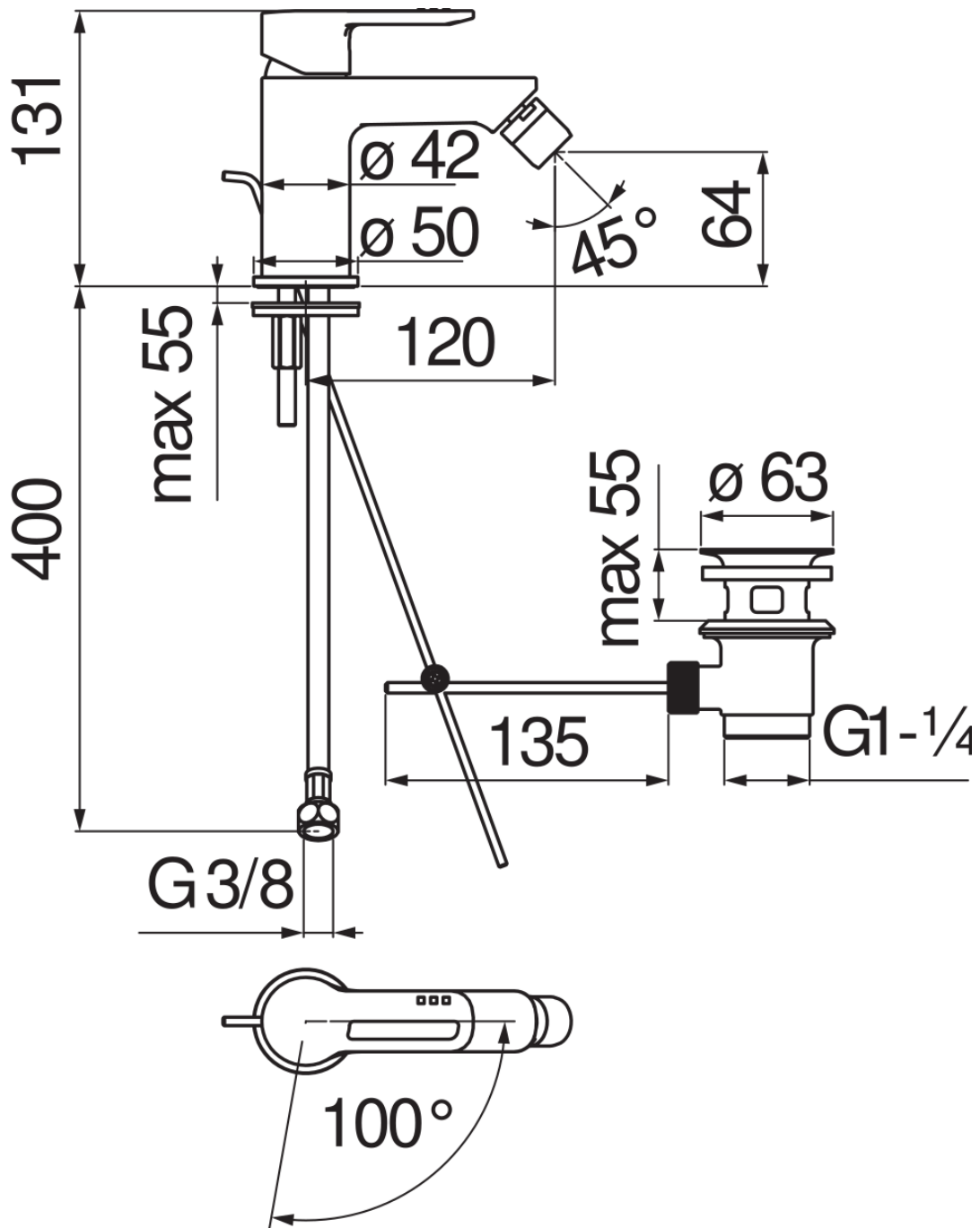
Swivel jet

1 1/4" waste with patented SNAP system

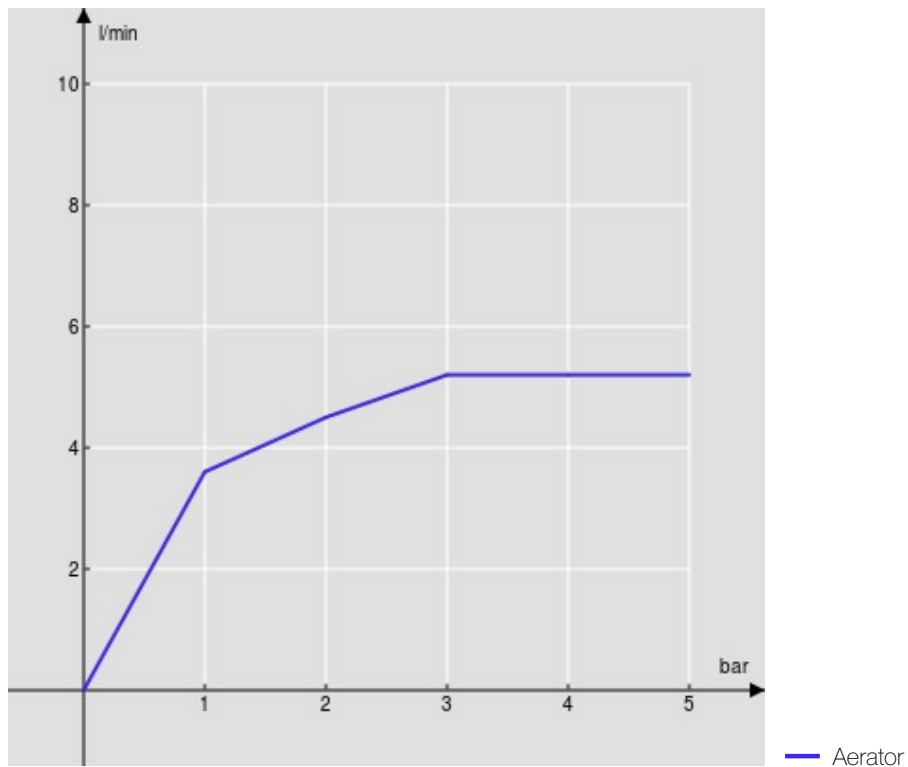
ø 3/8" stainless steel flexible pipe

Energy saving system with cold water side opening

Packaging: 41,5 x 16 x 7,5 cm / 0,00498 m³ / 1,67 kg



FLOW RATE DIAGRAM: HOT/COLD WATER



FLOW RATE DIAGRAM: MIXED WATER

