

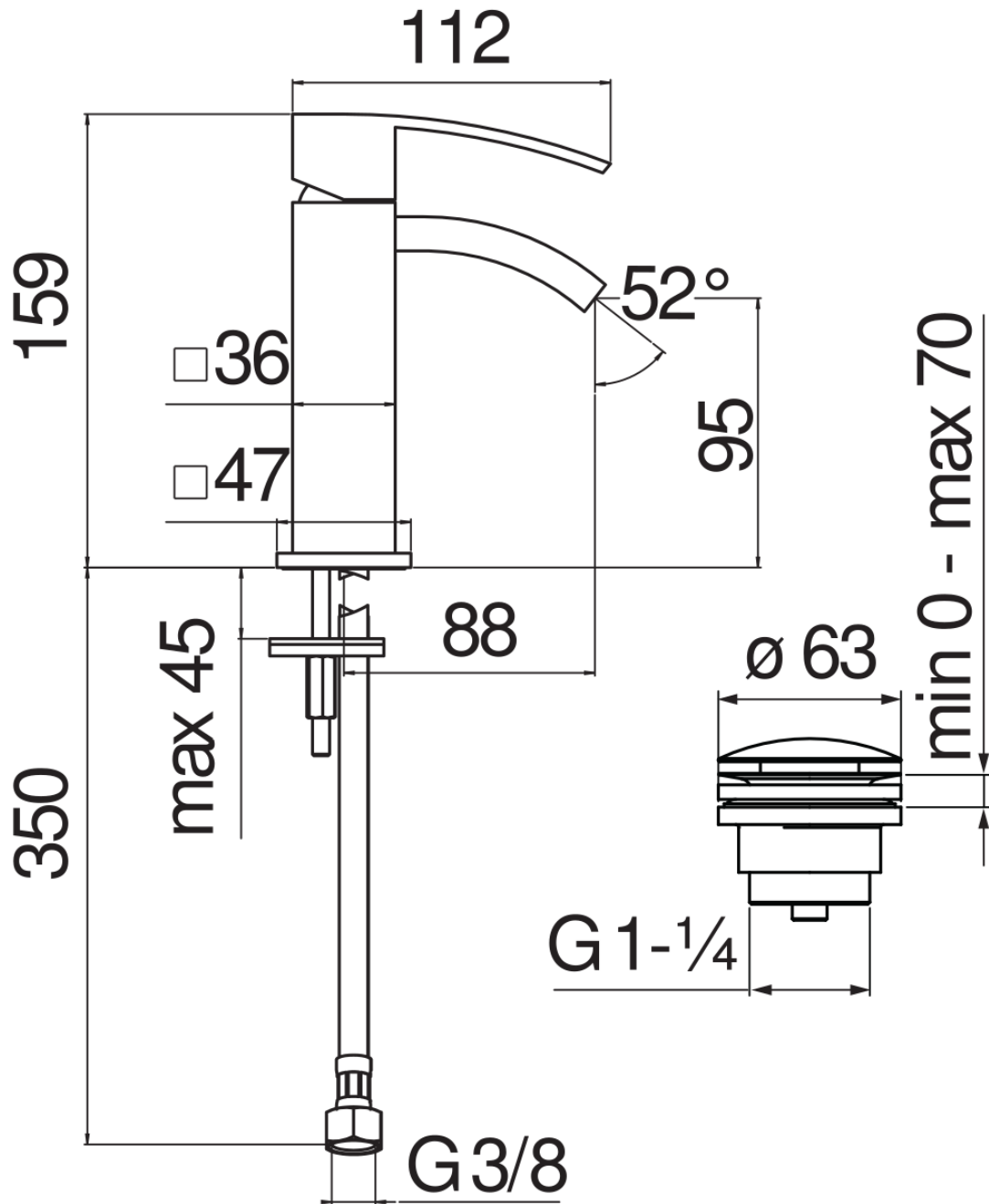


SPECIFICATIONS

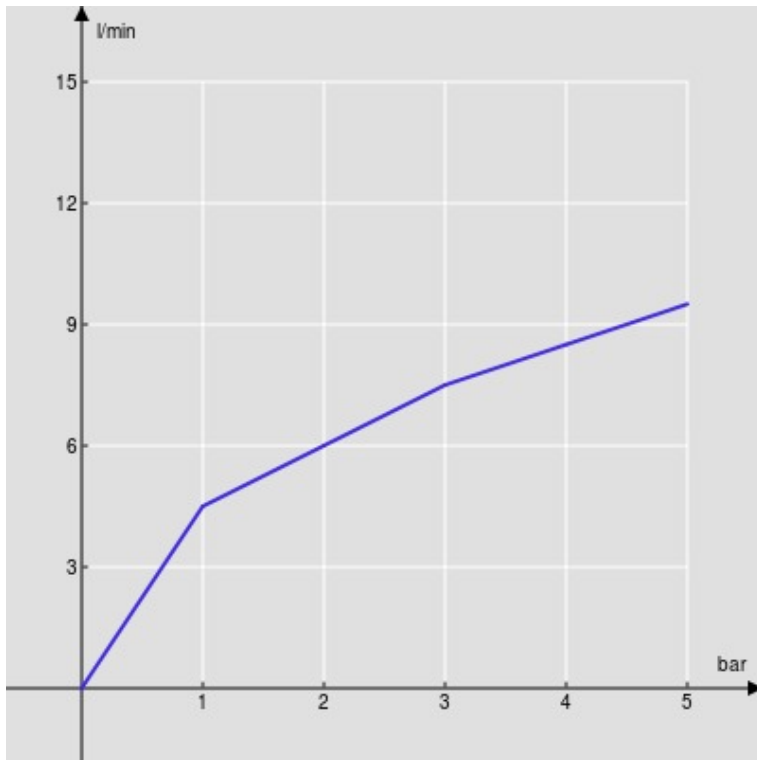
Single control
Chrome
Anti limescale aerator
1 1/4" push waste
ø 3/8" stainless steel flexible pipe
50% two step cartridge for water saving
Packaging: 41 x 21 x 7 cm / 0,00603 m³ / 2,27 kg

CERTIFICATIONS



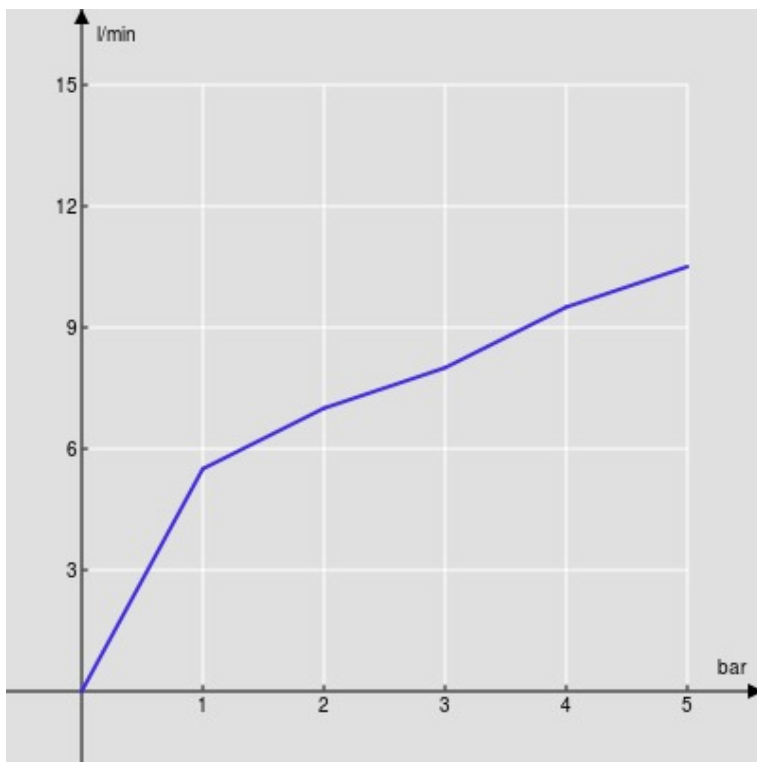


FLOW RATE DIAGRAM: HOT/COLD WATER



— Aerator

FLOW RATE DIAGRAM: MIXED WATER



— Aerator