

SPECIFICATIONS

Wall-mounted single control external part long spout

Chrome

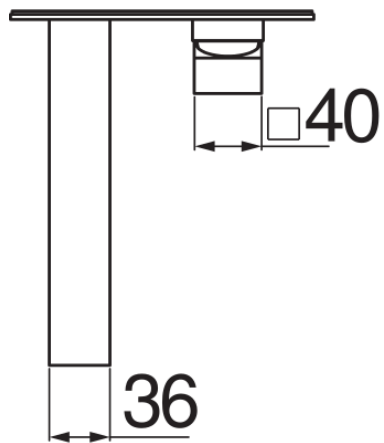
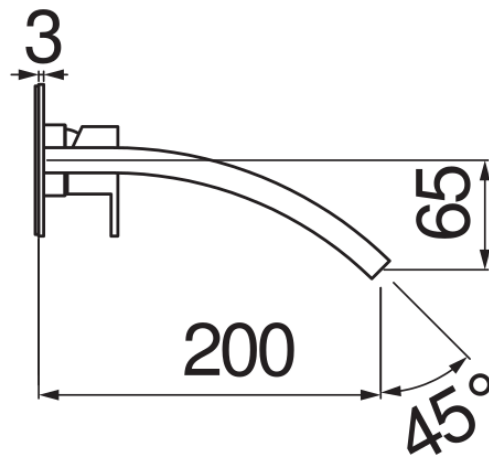
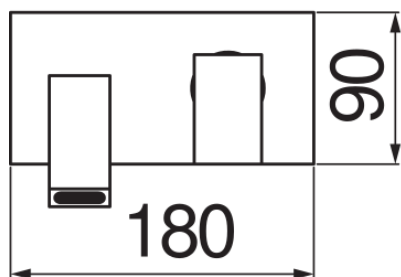
Anti limescale aerator

Length of spout 200 mm

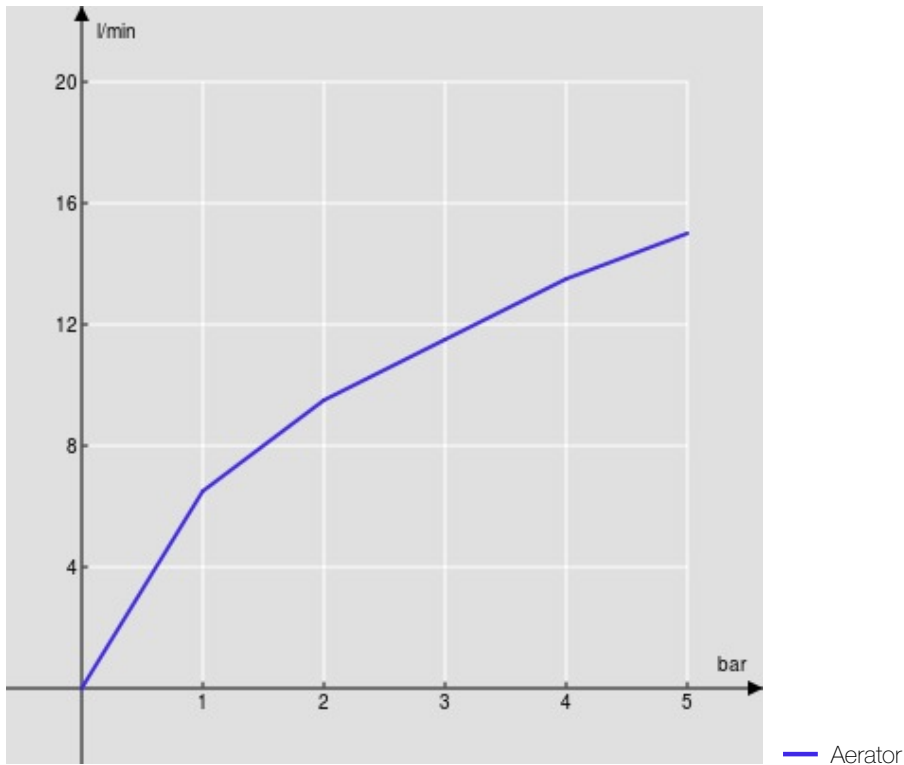
Without waste

50% two step cartridge for water saving

Packaging: 41 x 21 x 7 cm / 0,006027 m³ / 2,72 kg



FLOW RATE DIAGRAM: HOT/COLD WATER



FLOW RATE DIAGRAM: MIXED WATER

