



SPECIFICATIONS

External single control with telescopic rail

Chrome

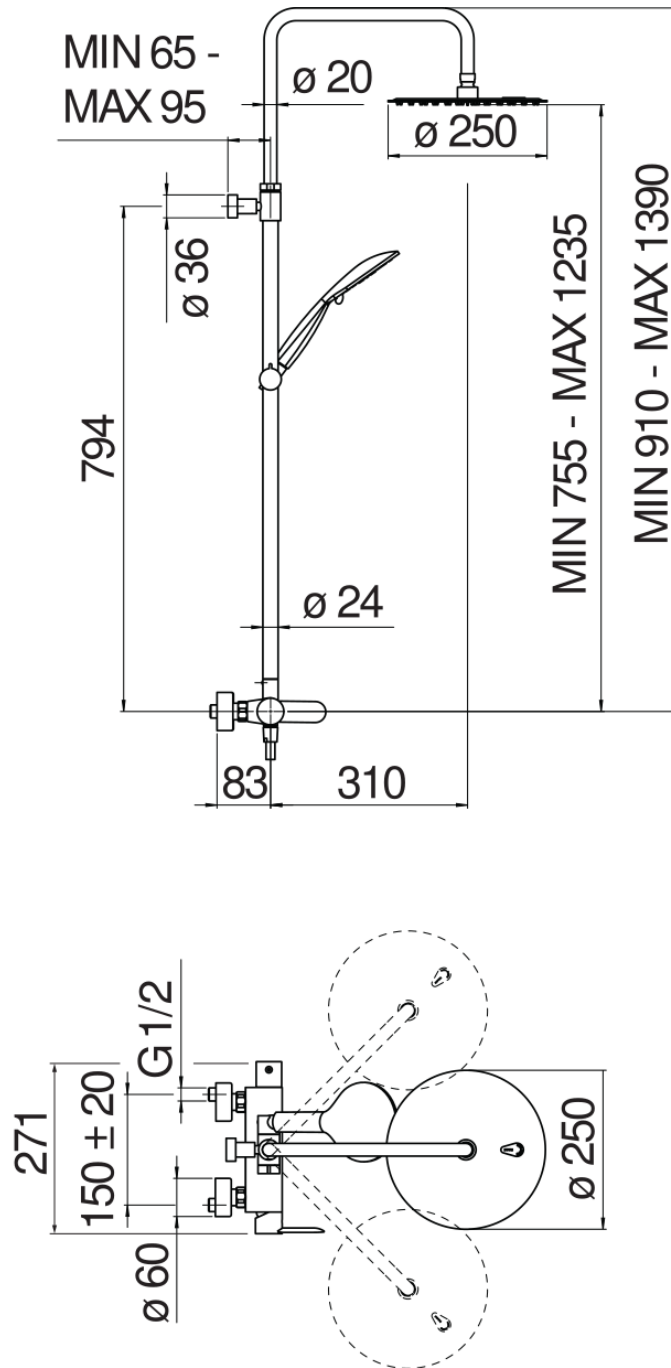
Swivel shower head ø 250 mm thick 2 mm

Sliding swivel hand shower support

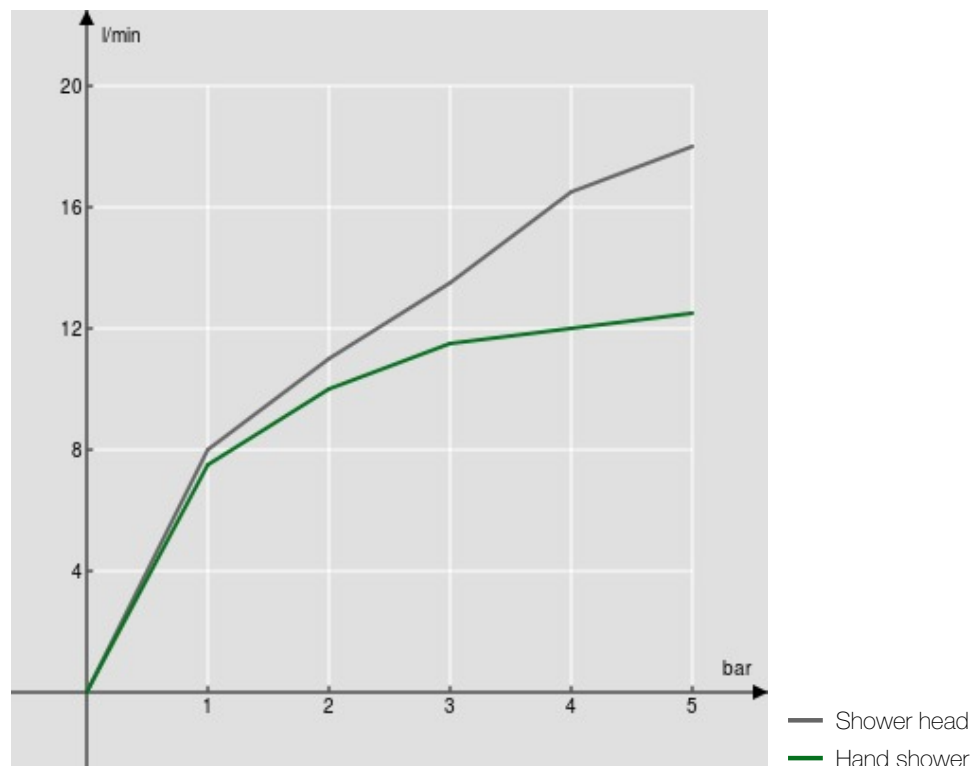
3-jet hand shower and 150 cm hose

50% two step cartridge for water saving

Packaging: 117 x 42 x 8,5 cm / 0,04177 m³ / 6,8 kg



FLOW RATE DIAGRAM: HOT/COLD WATER



FLOW RATE DIAGRAM: MIXED WATER

