



SPECIFICATIONS

Built-in 1-way single control mixer

Chrome

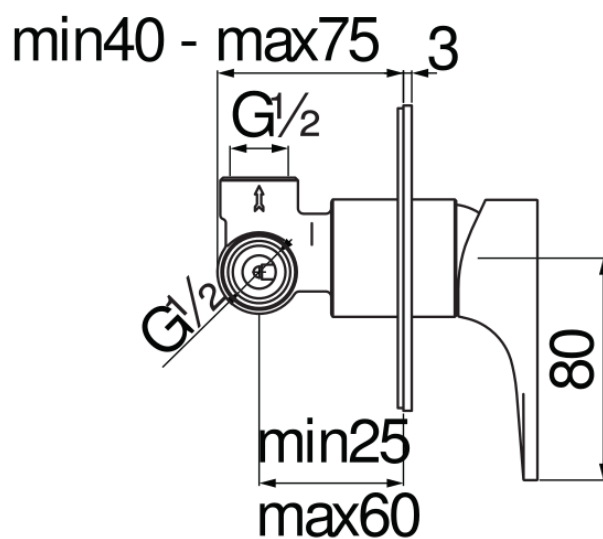
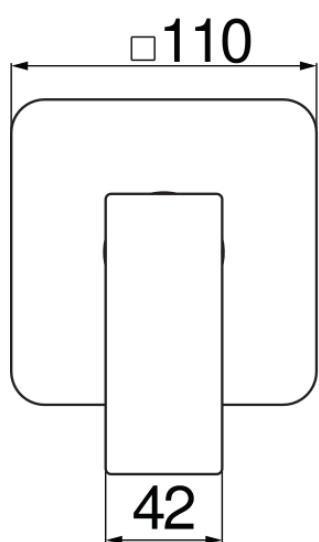
ø 1/2" hot and cold water inlet

ø 1/2" outlet

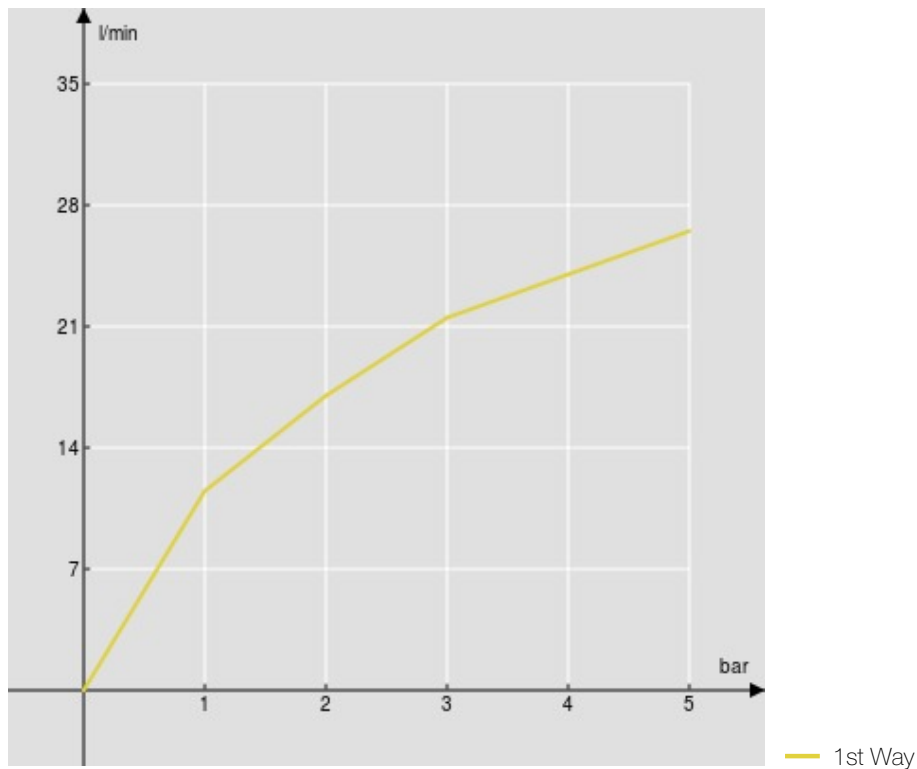
External part and flush-fit part

50% two step cartridge for water saving

Packaging: 16,5 x 21,5 x 17,1 cm / 0,006066 m<sup>3</sup> / 2,32 kg



FLOW RATE DIAGRAM: HOT/COLD WATER



FLOW RATE DIAGRAM: MIXED WATER

