

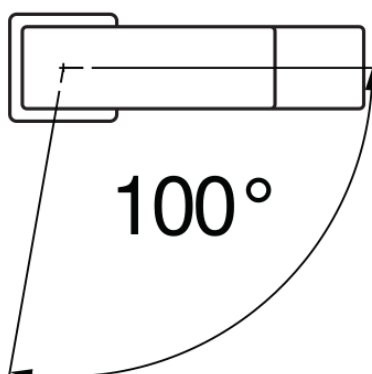
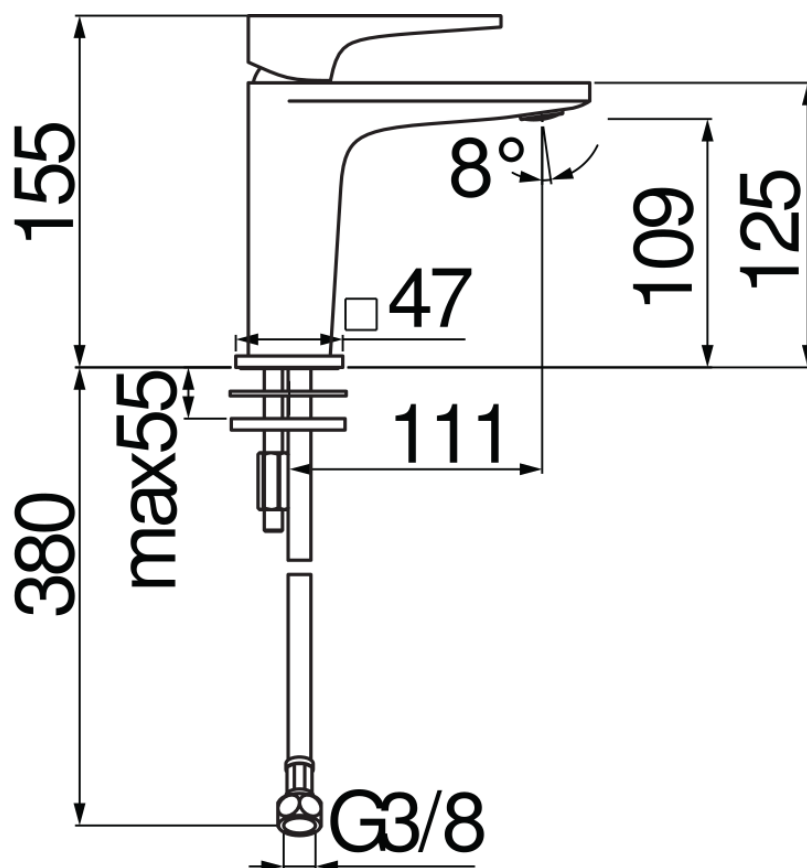


SPECIFICATIONS

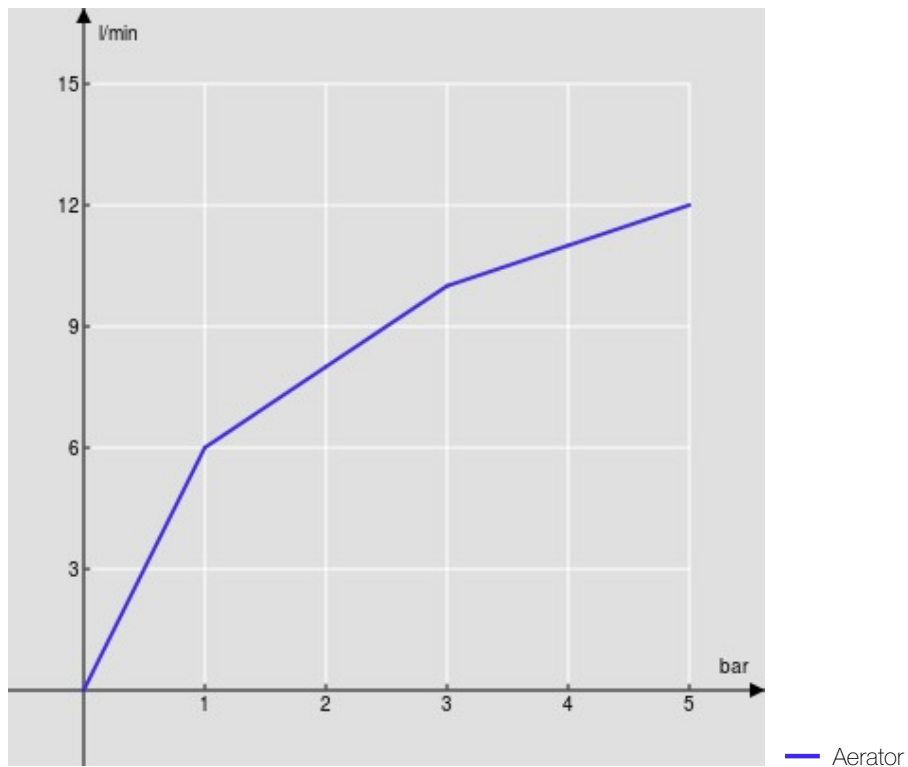
Energy saving single control
Velvet black
Anti limescale aerator M 24 x 1
5 l/min aerator included in the package
Without waste
ø 3/8" stainless steel flexible pipe
Energy saving system with cold water side opening
50% two step cartridge for water saving
Packaging: 41,5 x 16 x 7,5 cm / 0,00498 m³

CERTIFICATIONS





FLOW RATE DIAGRAM: HOT/COLD WATER



FLOW RATE DIAGRAM: MIXED WATER

