



#### SPECIFICATIONS

Built-in 1-way single control mixer

Chrome

ø 1/2" hot and cold water inlet

ø 1/2" outlet

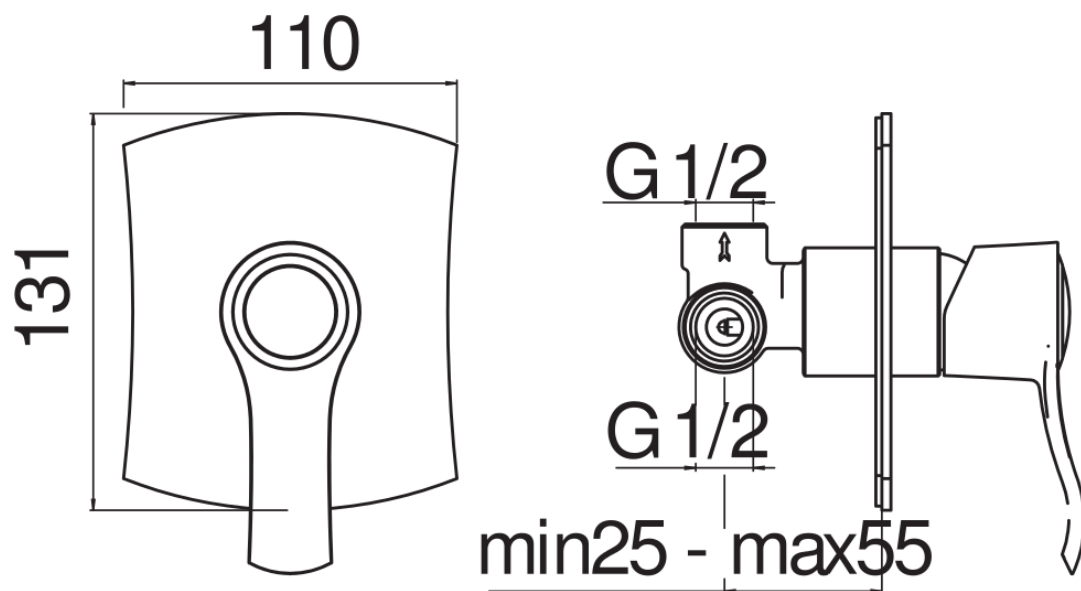
External part and flush-fit part

50% two step cartridge for water saving

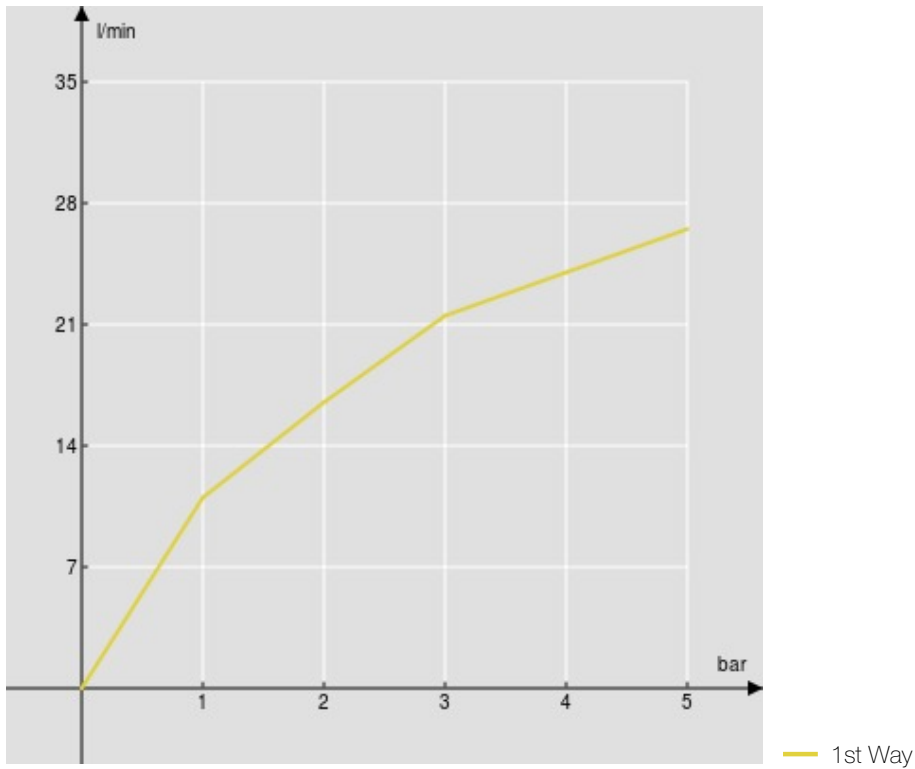
Packaging: 17,1 x 10,8 x 11 cm / 0,00203 m<sup>3</sup> / 1 kg

#### CERTIFICATIONS





FLOW RATE DIAGRAM: HOT/COLD WATER



FLOW RATE DIAGRAM: MIXED WATER

