

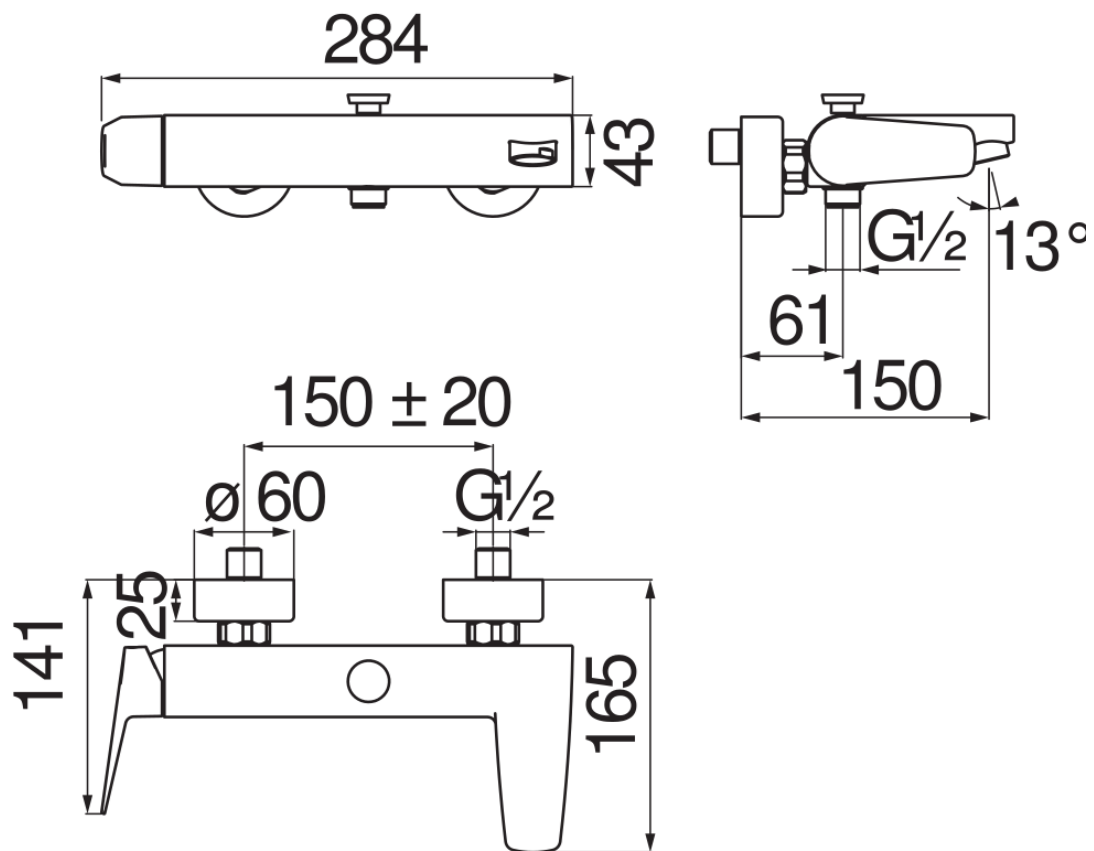


SPECIFICATIONS

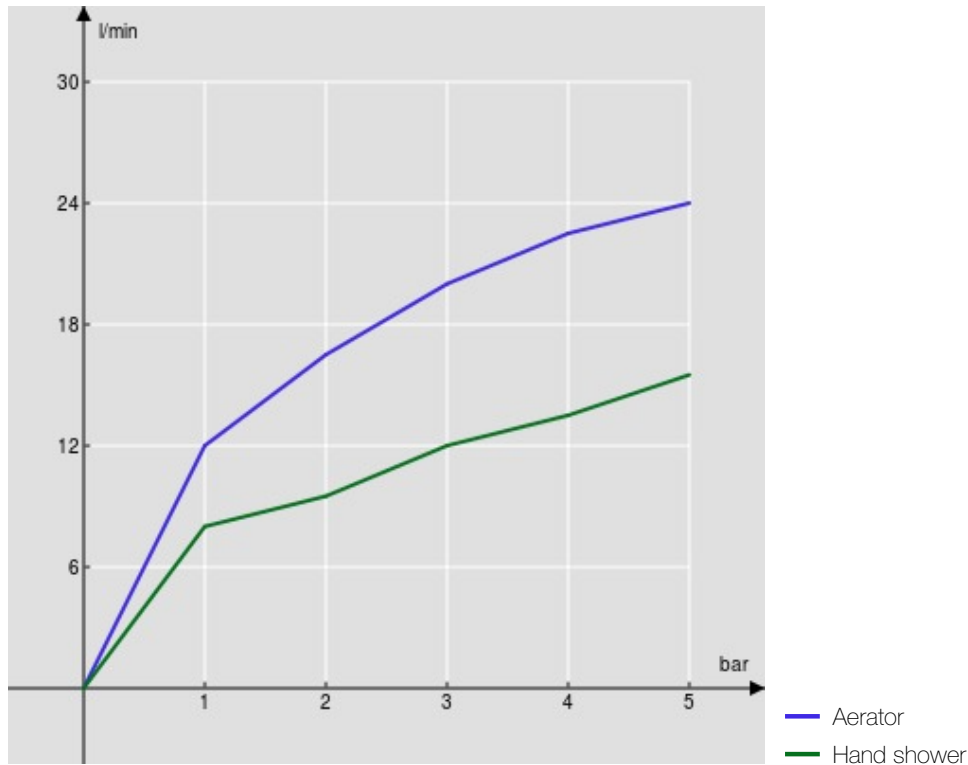
External single control
Chrome
Anti limescale aerator M 28 x 1
Auto return deviator
ø 1/2" outlet
50% two step cartridge for water saving
Packaging: 32 x 20 x 8,5 cm / 0,00544 m³ / 2,63 kg

CERTIFICATIONS





FLOW RATE DIAGRAM: HOT/COLD WATER



FLOW RATE DIAGRAM: MIXED WATER

