

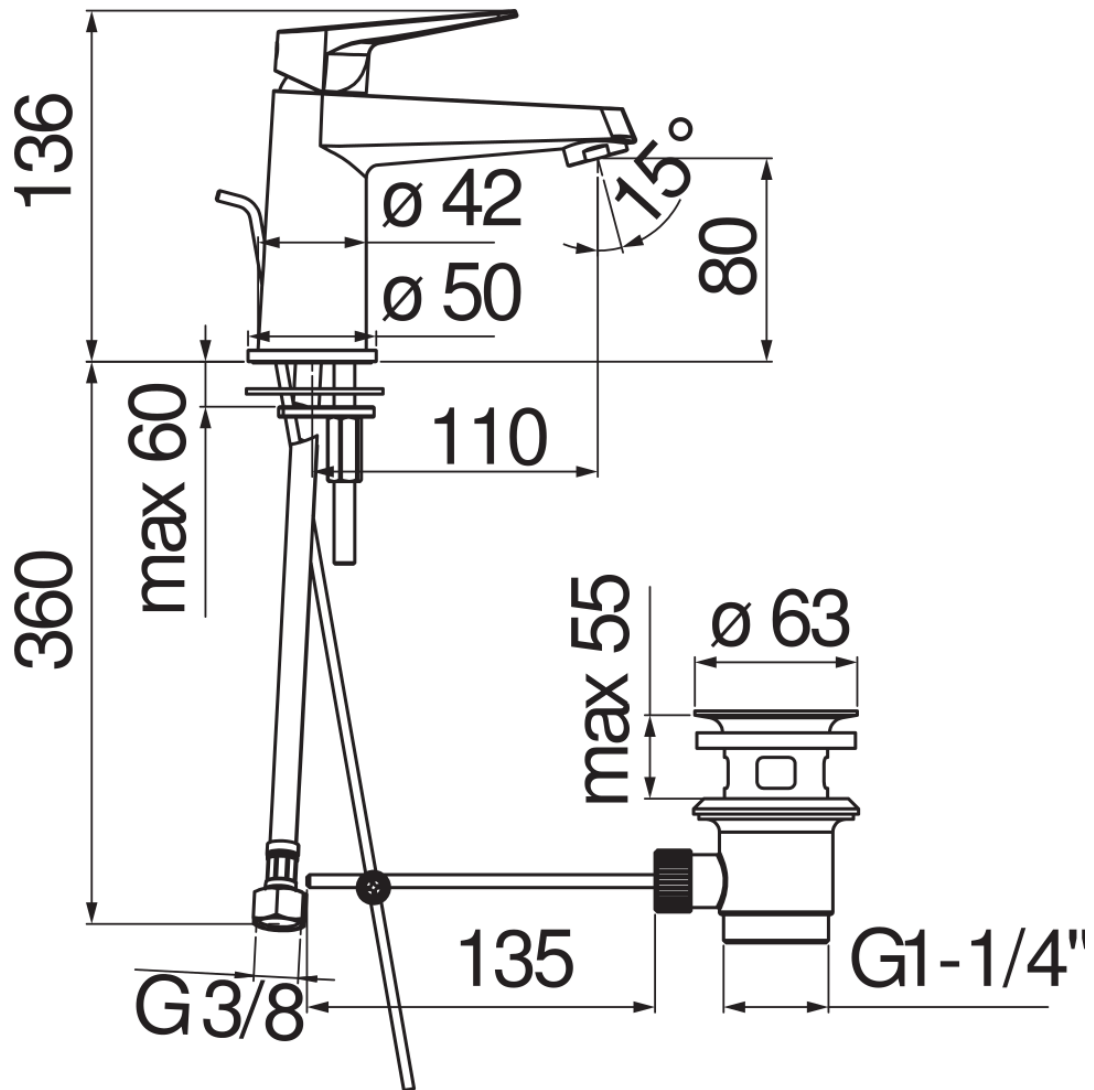


SPECIFICATIONS

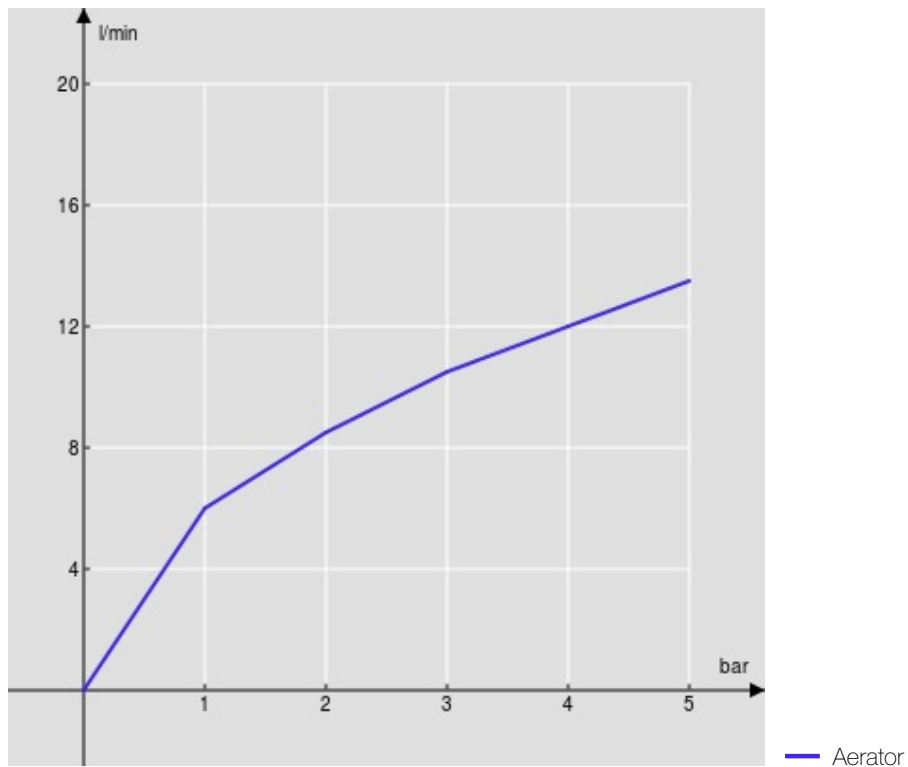
Single control  
Chrome  
Anti limescale aerator M 24 x 1  
1 1/4" waste with patented SNAP system  
ø 3/8" stainless steel flexible pipe  
50% two step cartridge for water saving  
Packaging: 41,5 x 16 x 7,5 cm / 0,00498 m<sup>3</sup> / 1,5 kg

CERTIFICATIONS





FLOW RATE DIAGRAM: HOT/COLD WATER



FLOW RATE DIAGRAM: MIXED WATER

