

SPECIFICATIONS

Wall-mounted single control external part long spout

Chrome

Anti limescale aerator M 18 x 1

Length of spout 200 mm

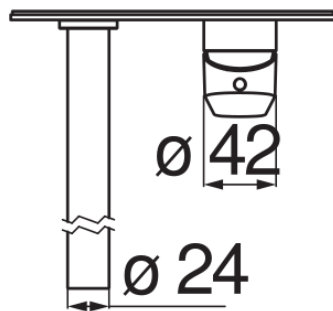
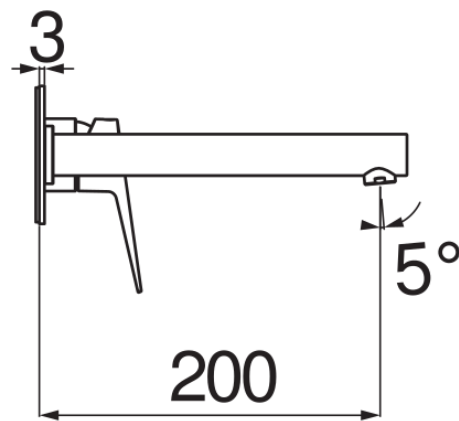
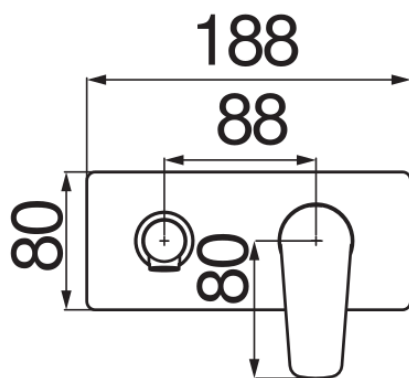
Without waste

50% two step cartridge for water saving

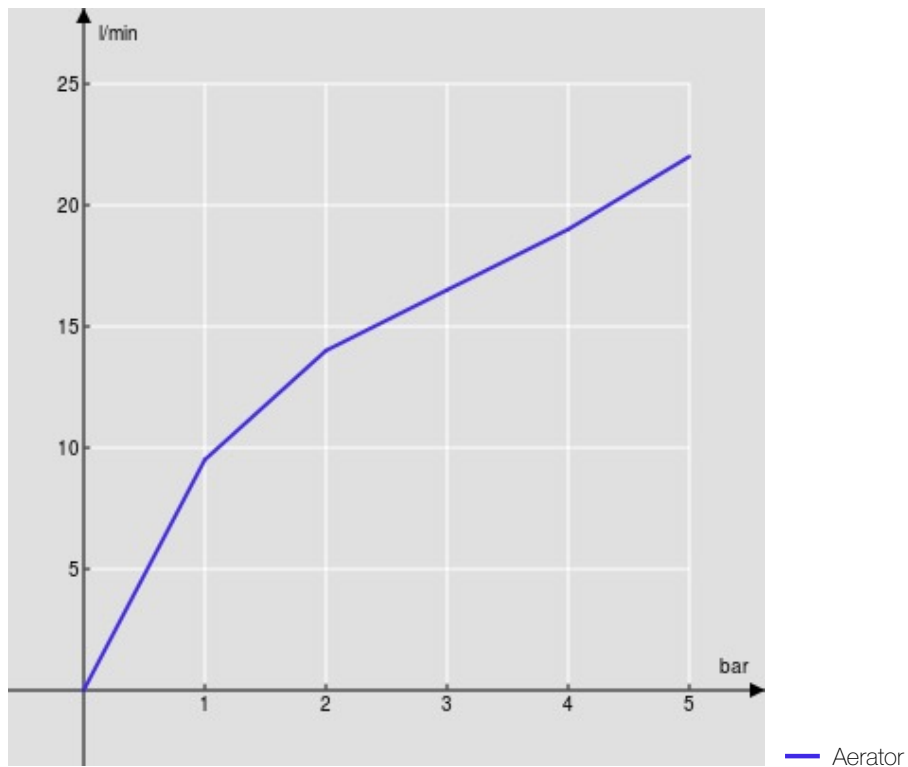
Packaging: 41,5 x 21,2 x 7,8 cm / 0,006862 m³ / 2,1 kg

CERTIFICATIONS





FLOW RATE DIAGRAM: HOT/COLD WATER



FLOW RATE DIAGRAM: MIXED WATER

