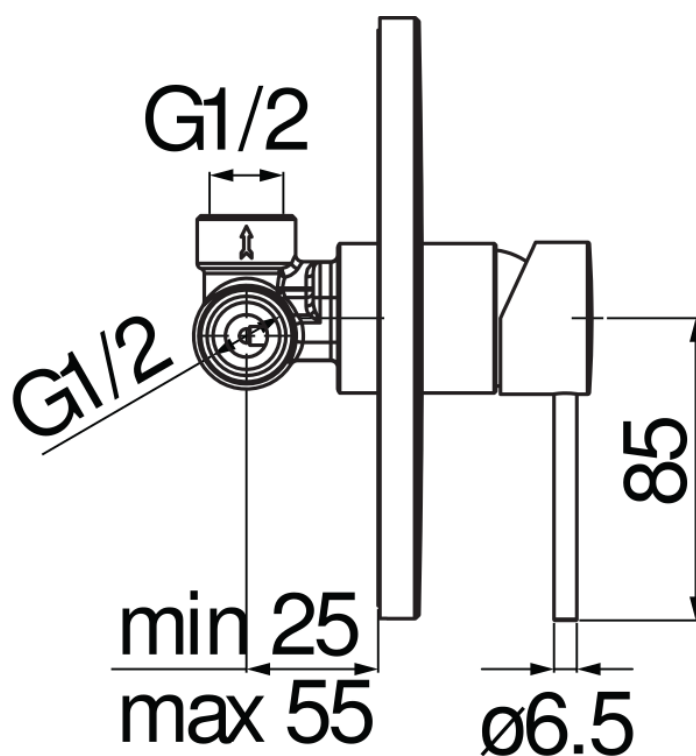
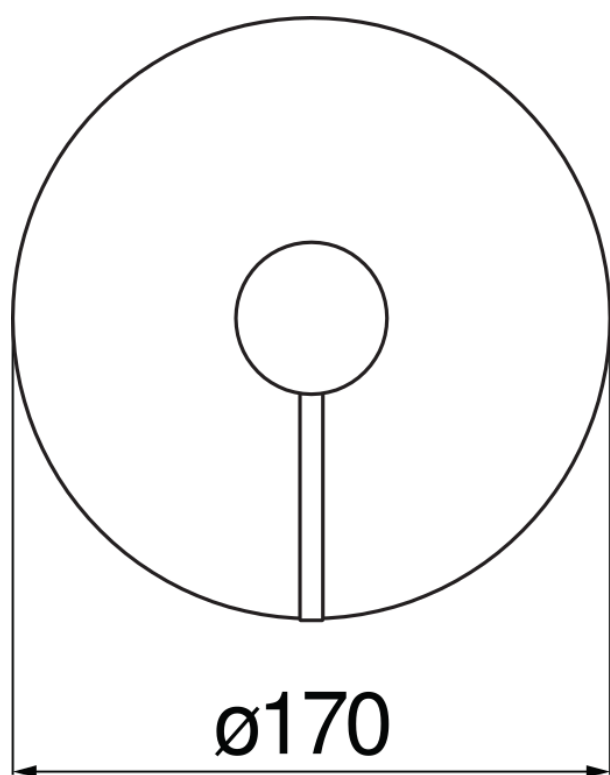




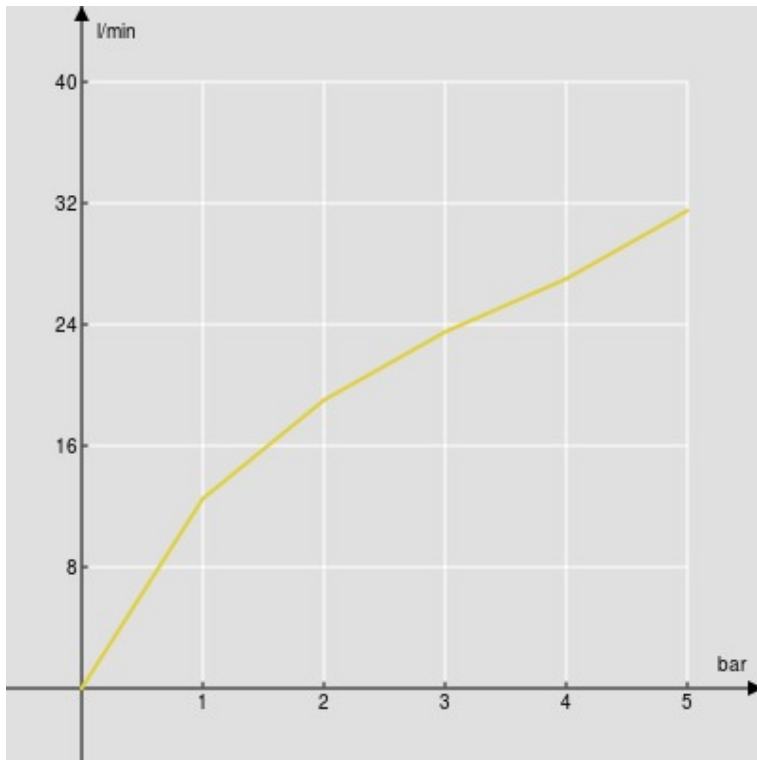
IMAGE NOT
AVAILABLE

SPECIFICATIONS

Built-in 1-way single control mixer
Miele brushed PVD
Invisible o-ring resistance, waterproof wall fixing
ø 1/2" water inlet and outlet
External part and flush-fit part
50% two step cartridge for water saving
Packaging: 16,5 x 21,5 x 17,1 cm / 0,00607 m³ / 1,3 kg

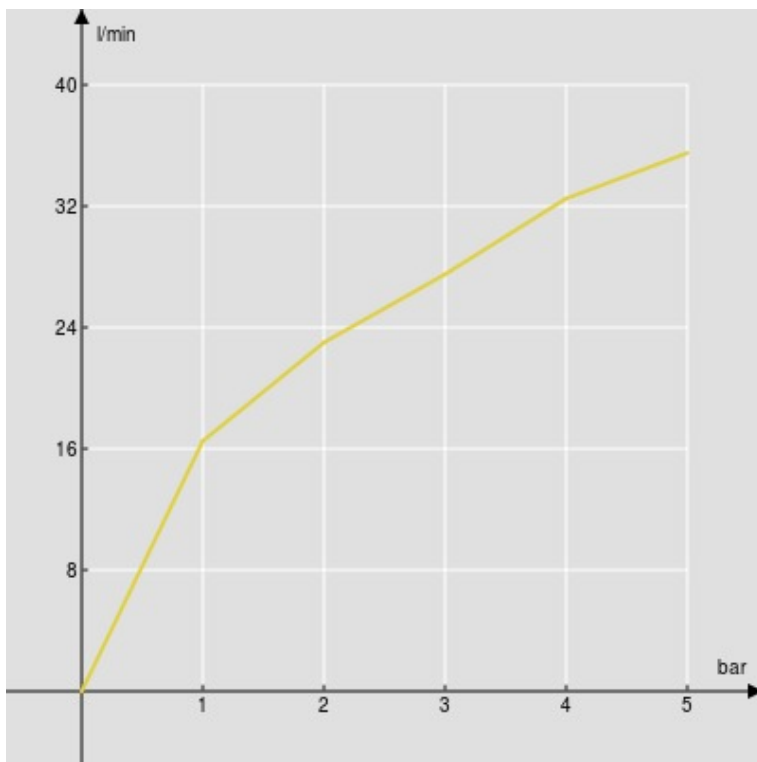


FLOW RATE DIAGRAM: HOT/COLD WATER



— 1st Way

FLOW RATE DIAGRAM: MIXED WATER



— 1st Way