



SPECIFICATIONS

Built-in 1-way single control mixer

Chocolate red PVD

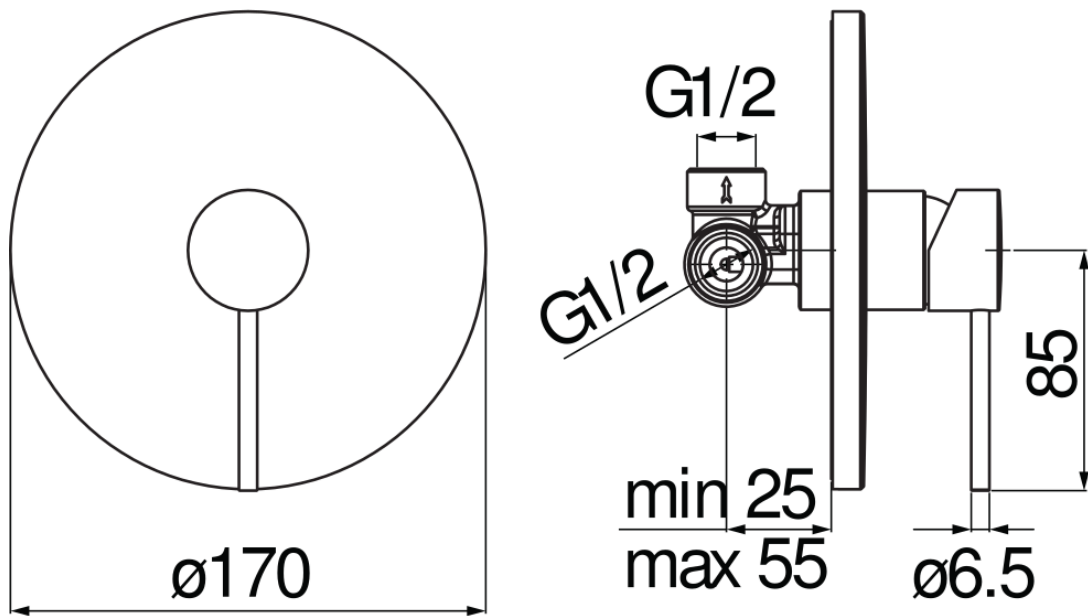
Invisible o-ring resistance, waterproof wall fixing

ø 1/2" water inlet and outlet

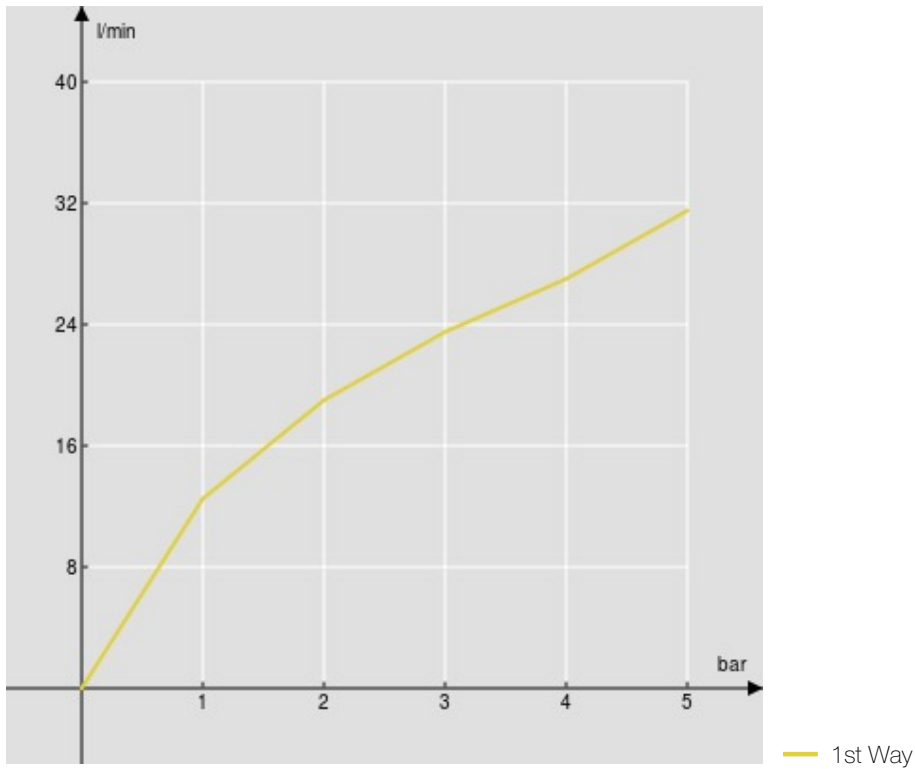
External part and flush-fit part

50% two step cartridge for water saving

Packaging: 16,5 x 21,5 x 17,1 cm / 0,00607 m³ / 1,3 kg



FLOW RATE DIAGRAM: HOT/COLD WATER



FLOW RATE DIAGRAM: MIXED WATER

