



SPECIFICATIONS

Wall-mounted single control external part

Chrome

Anti limescale aerator M 24 x 1

Length of spout 150 mm

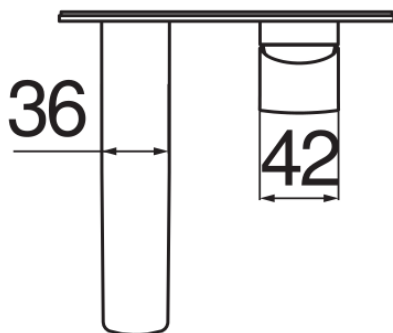
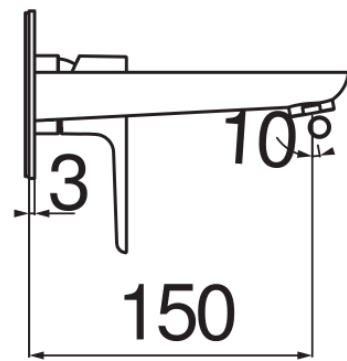
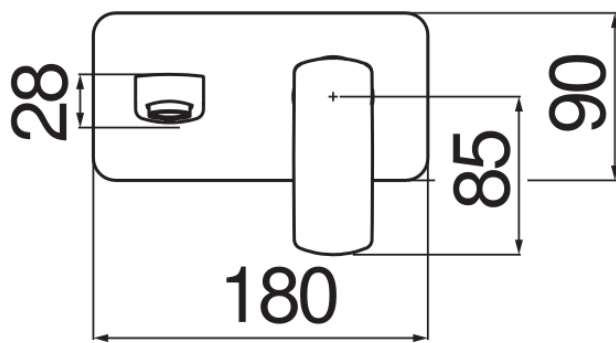
Without waste

50% two step cartridge for water saving

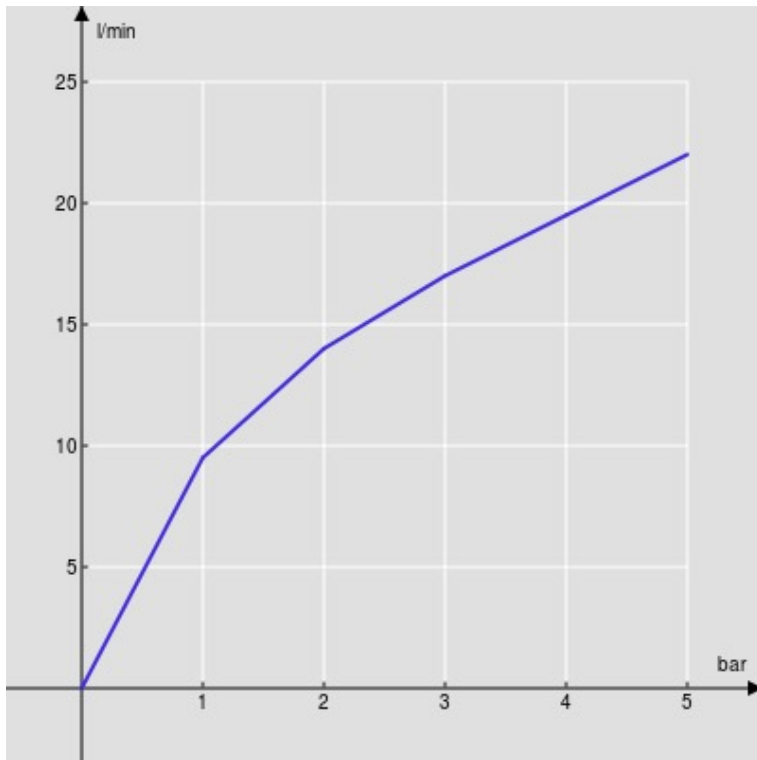
Packaging: 32 x 16,5 x 7 cm / 0,0037 m³ / 1,57 kg

CERTIFICATIONS



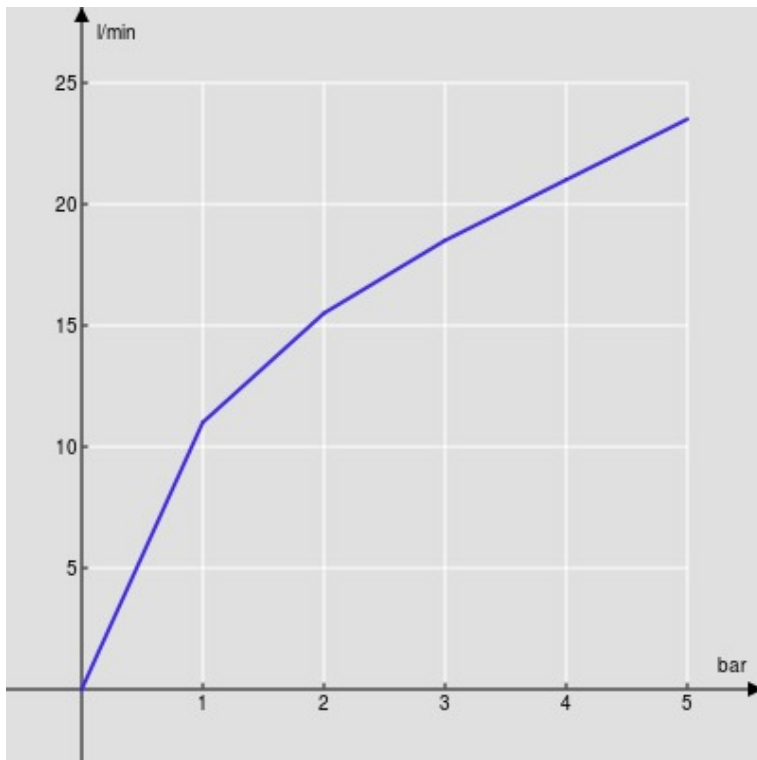


FLOW RATE DIAGRAM: HOT/COLD WATER



— Aerator

FLOW RATE DIAGRAM: MIXED WATER



— Aerator