



SPECIFICATIONS

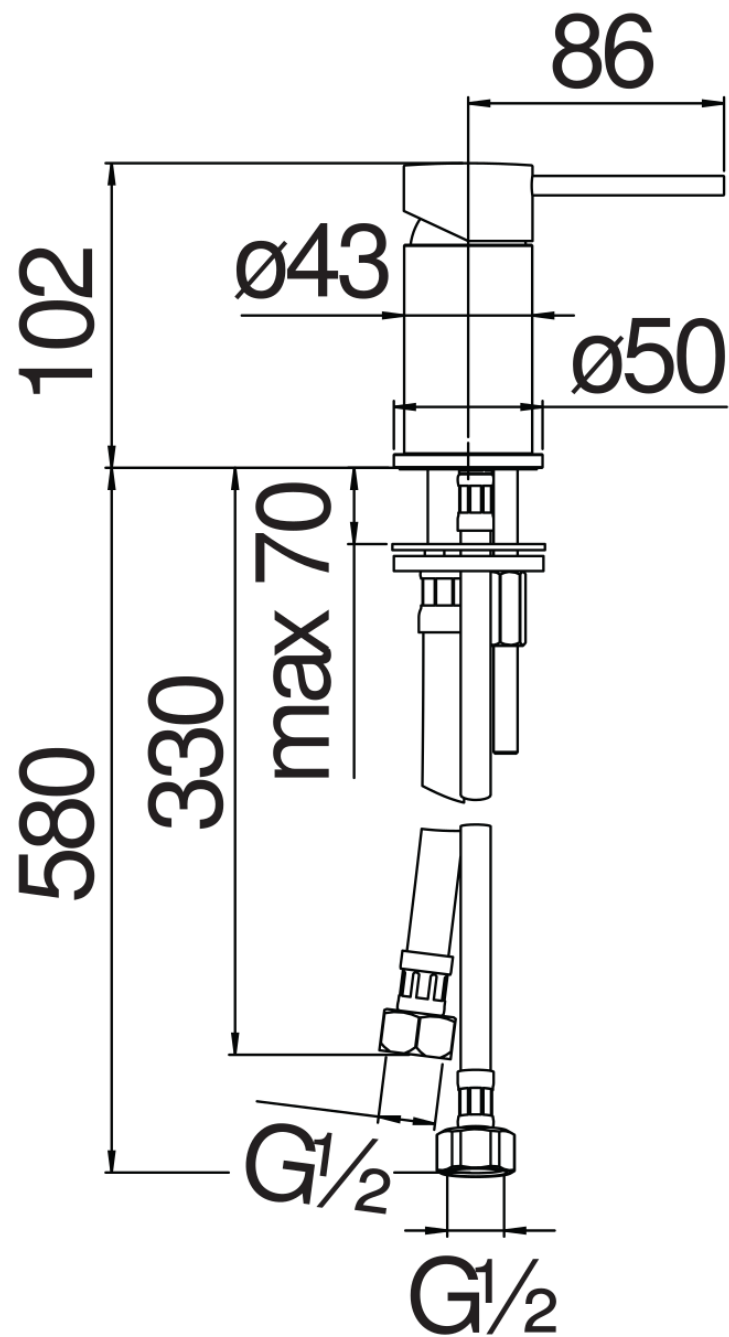
Single control mixer

Chrome

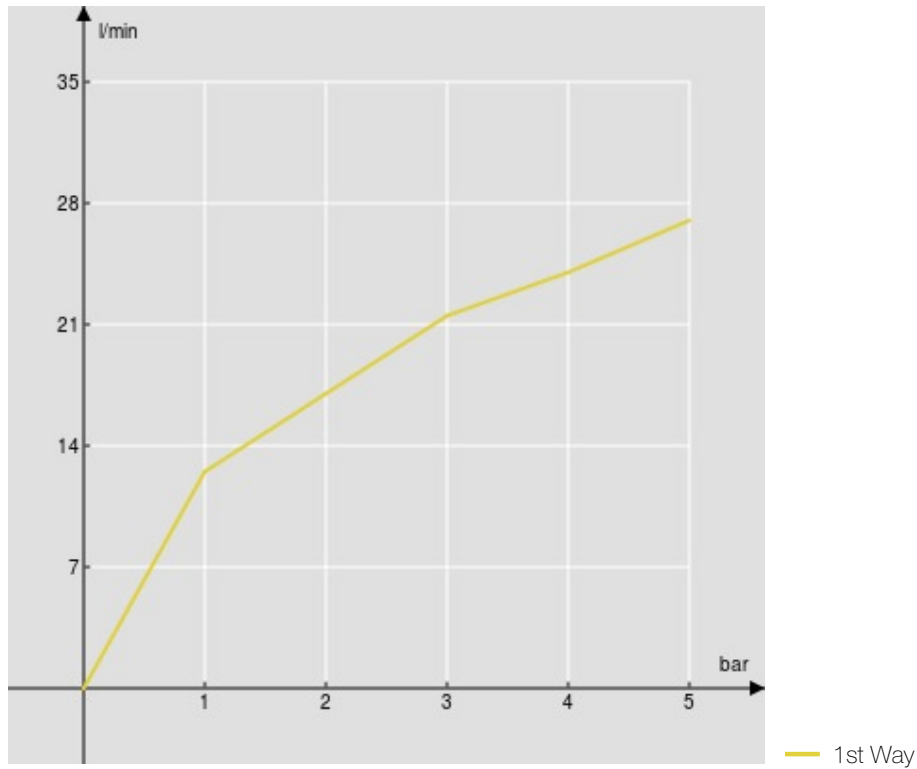
2-way inlet

50% two step cartridge for water saving

Packaging: 41 x 21 x 7 cm / 0,00603 m³



FLOW RATE DIAGRAM: HOT/COLD WATER



FLOW RATE DIAGRAM: MIXED WATER

