



SPECIFICATIONS

2-way single control external part

Inox

Anti limescale aerator M 24 x 1

Auto return deviator

Fixed hand shower support

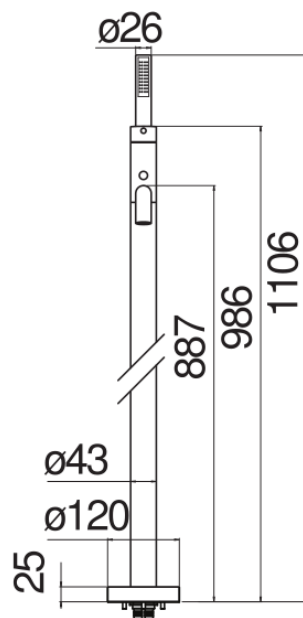
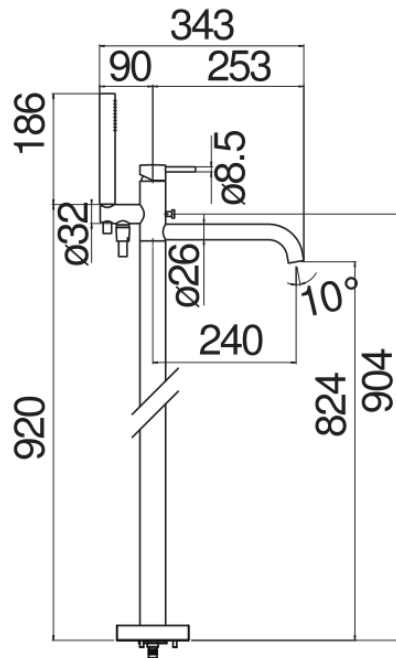
Single jet hand shower and 150 cm hose

50% two step cartridge for water saving

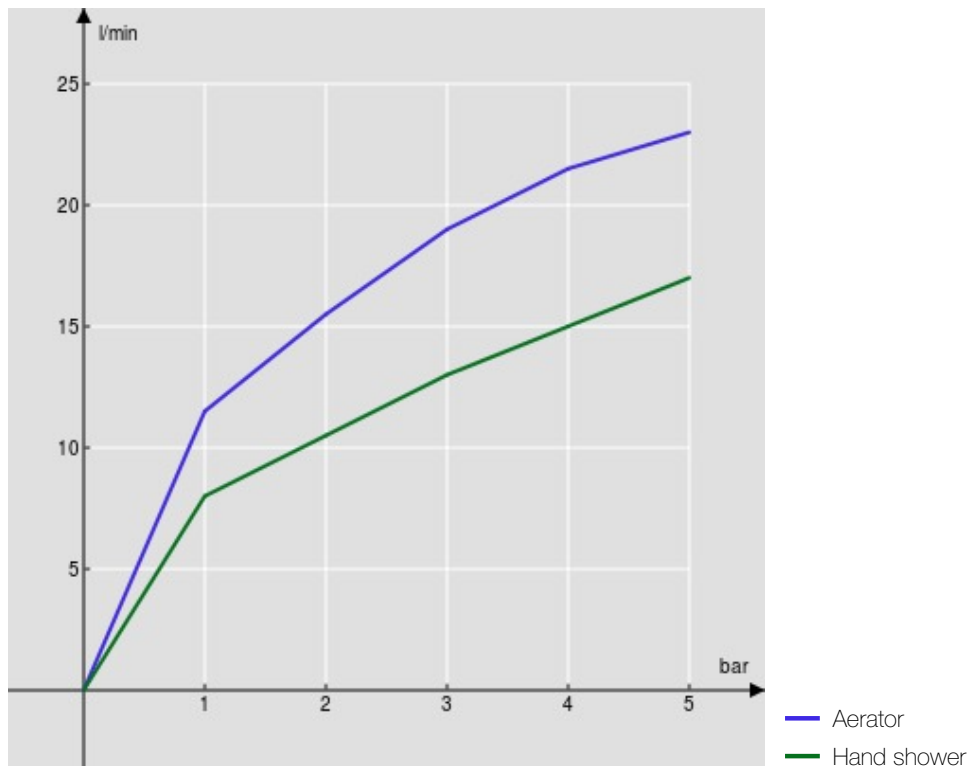
Packaging: 110,5 x 44 x 17,5 cm / 0,08509 m³ / 6 kg

CERTIFICATIONS





FLOW RATE DIAGRAM: HOT/COLD WATER



FLOW RATE DIAGRAM: MIXED WATER

