



SPECIFICATIONS

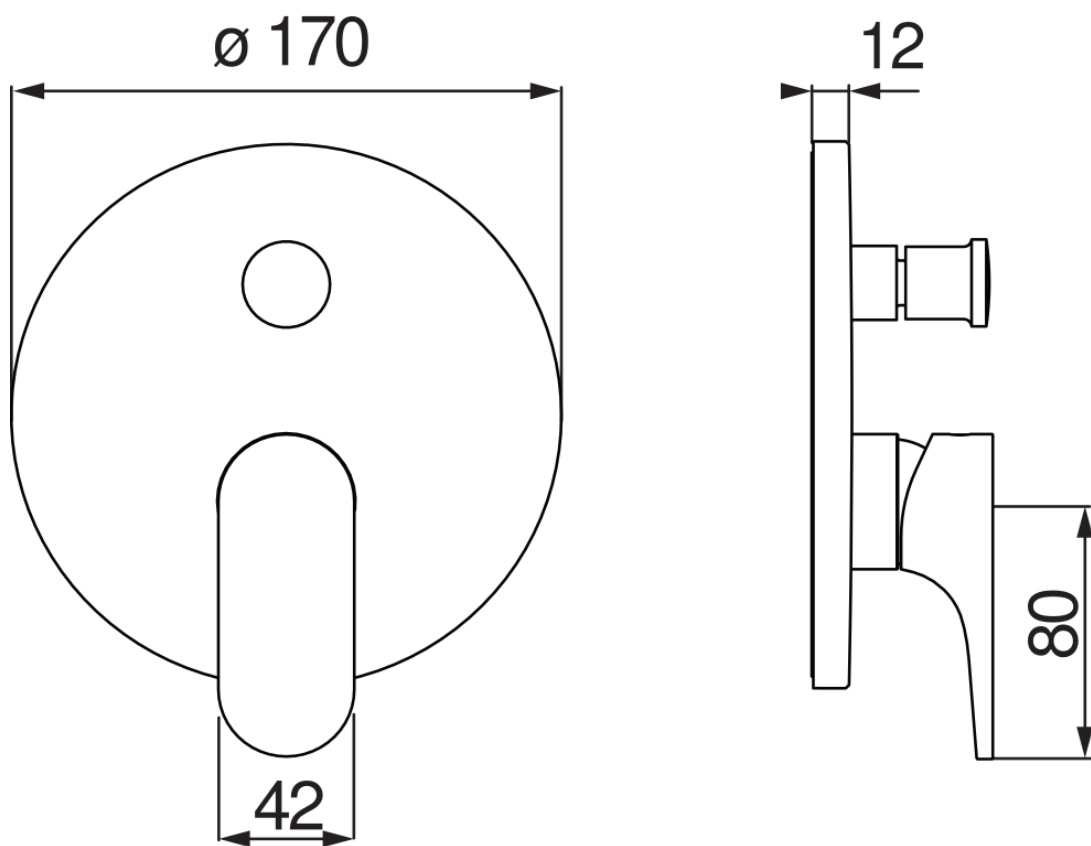
Built-in 2-ways single control mixer

Velvet black

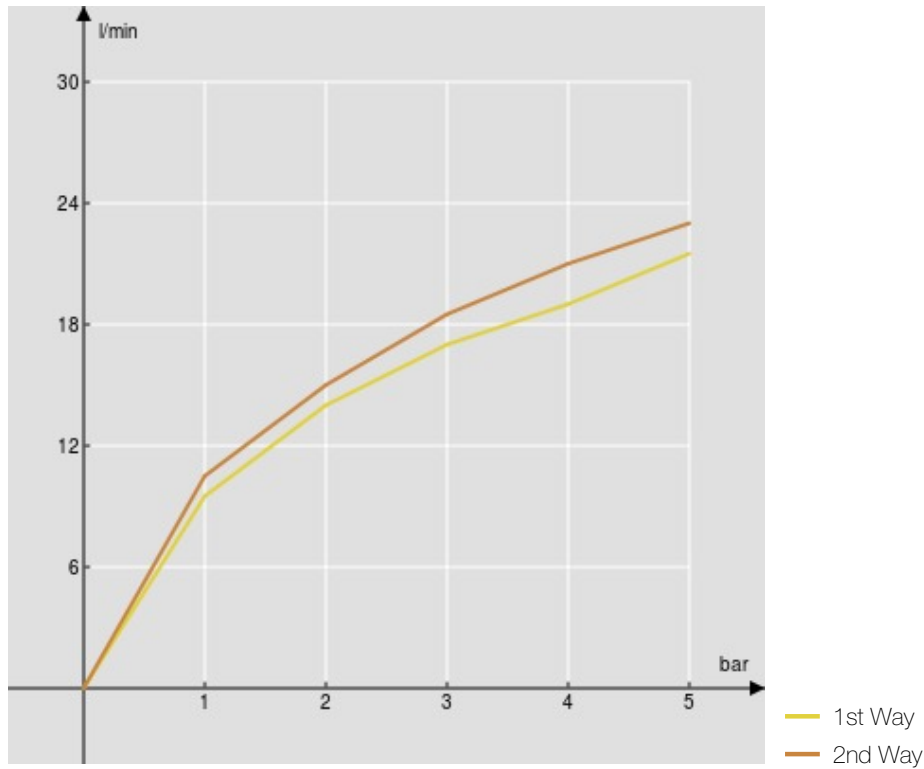
Auto return deviator

50% two step cartridge for water saving

Packaging: 16,5 x 21,5 x 17,1 cm / 0,0060662 m³



FLOW RATE DIAGRAM: HOT/COLD WATER



FLOW RATE DIAGRAM: MIXED WATER

