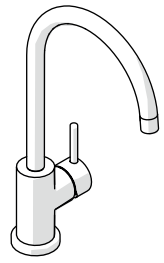


+

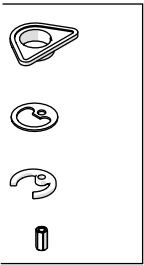


+

Not included / Non incluso / Non inclus / Nie zawarty / No incluido / Nao incluido

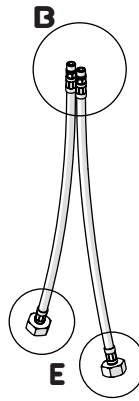


A



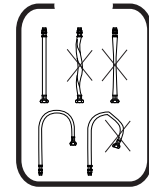
C

1

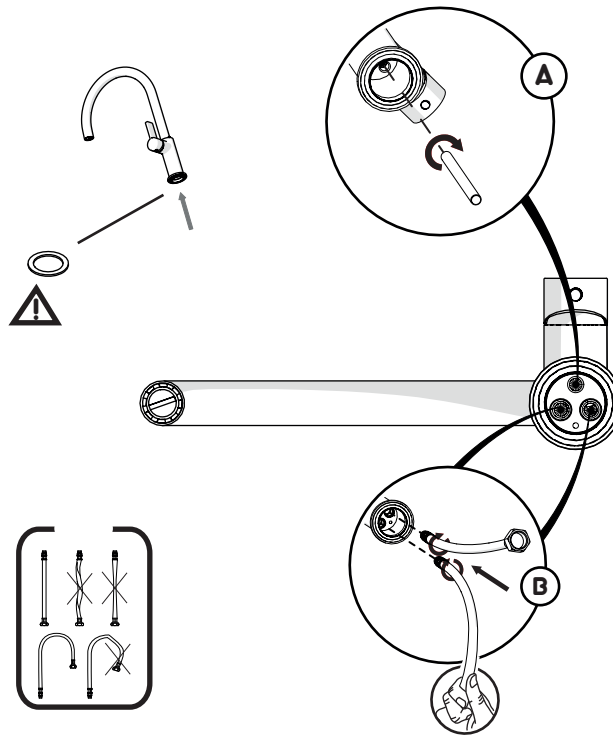


B

E



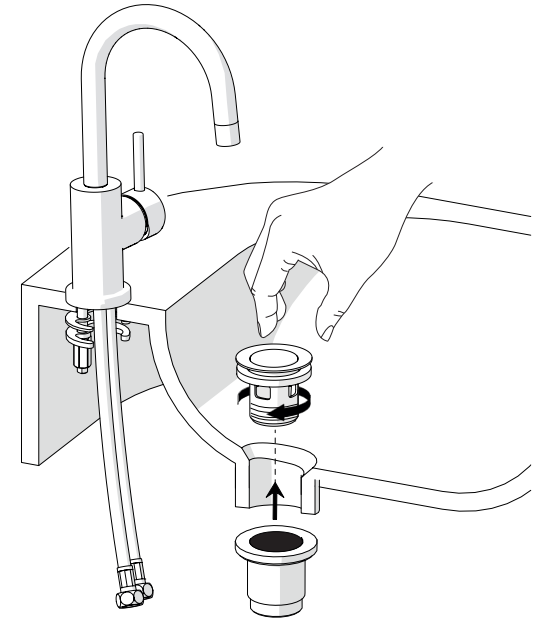
3



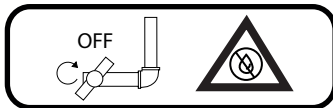
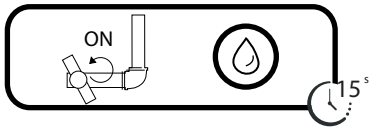
A

B

5

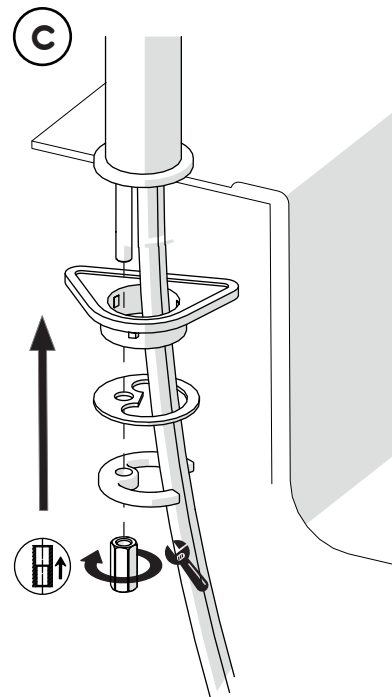


2



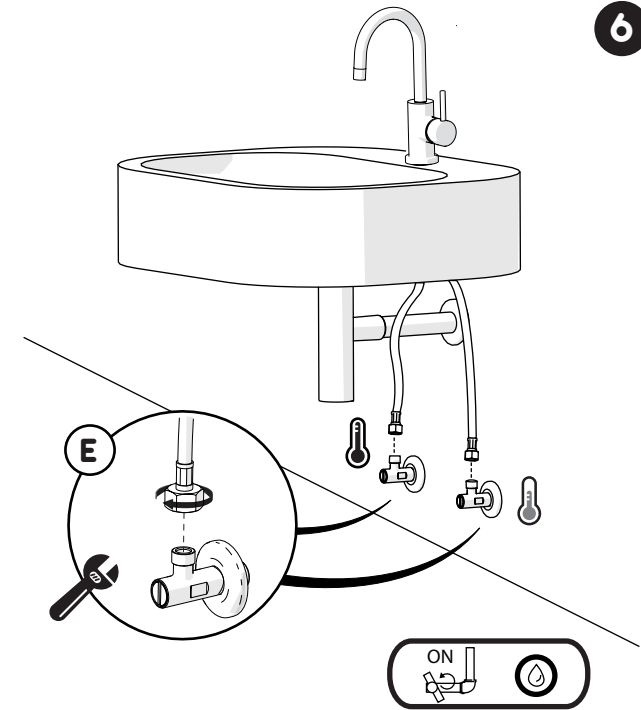
OFF

4



C

6

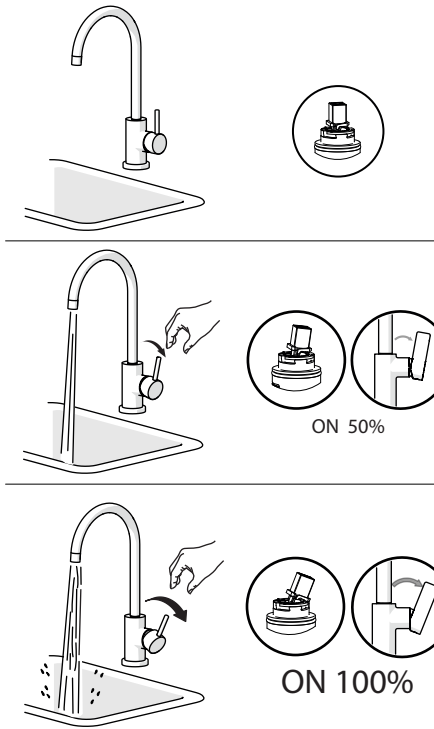


E

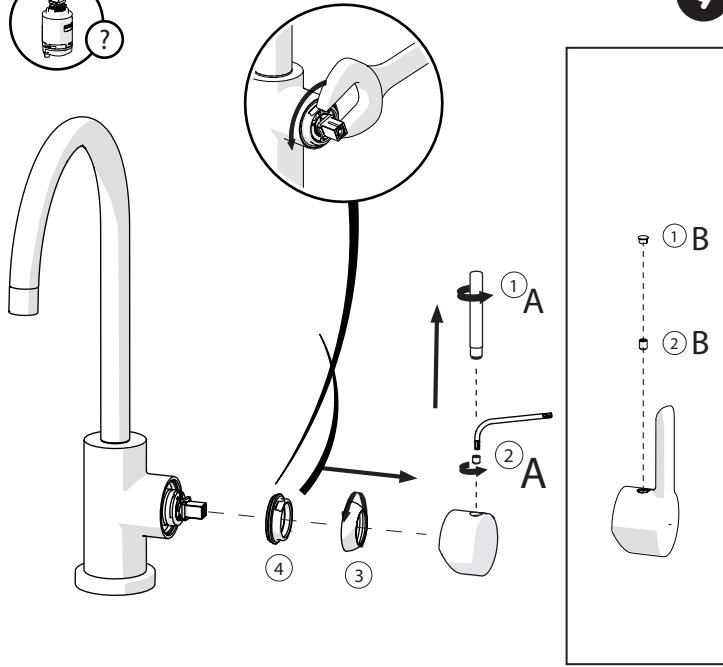


ON

-50%



7



9

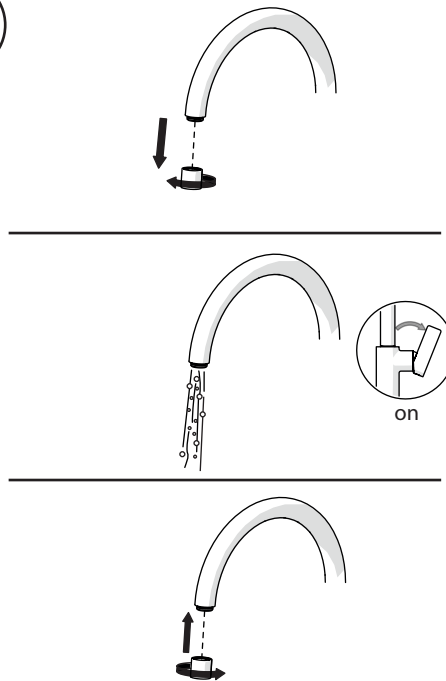
IISTR00338#---STD

NOBILIS®
The Best Technology for Water

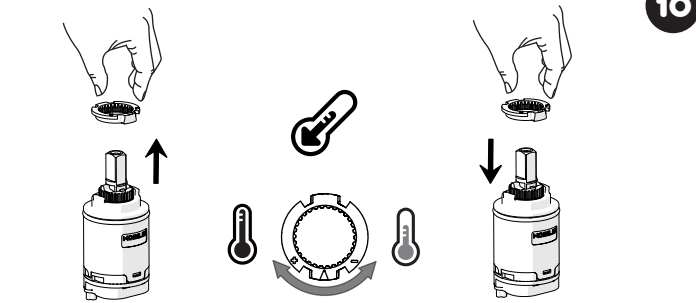
REV1.01/2014



www.grupponobili.it



8

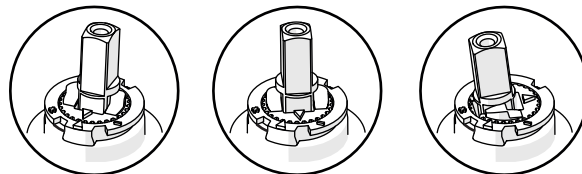


10

No limitation of temperature

Partial limitation of temperature

Maximum position Only cold water



CLEANING

