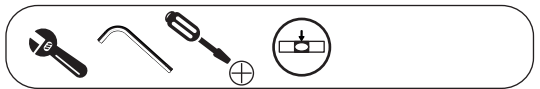
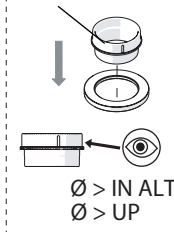


Not included / Non incluso / Non Inclus / Nie zawarty/ No incluido / Nao incluido

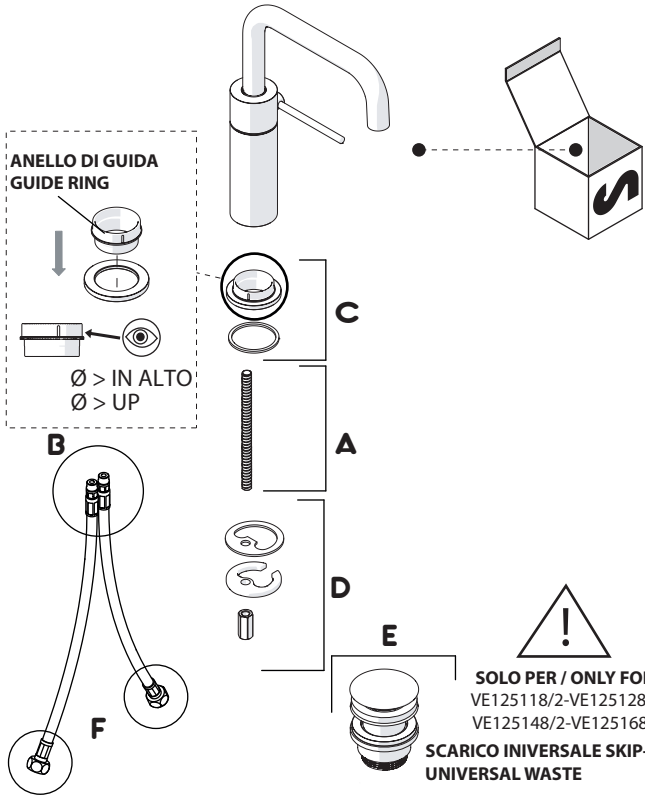
1



ANELLO DI GUIDA  
GUIDE RING

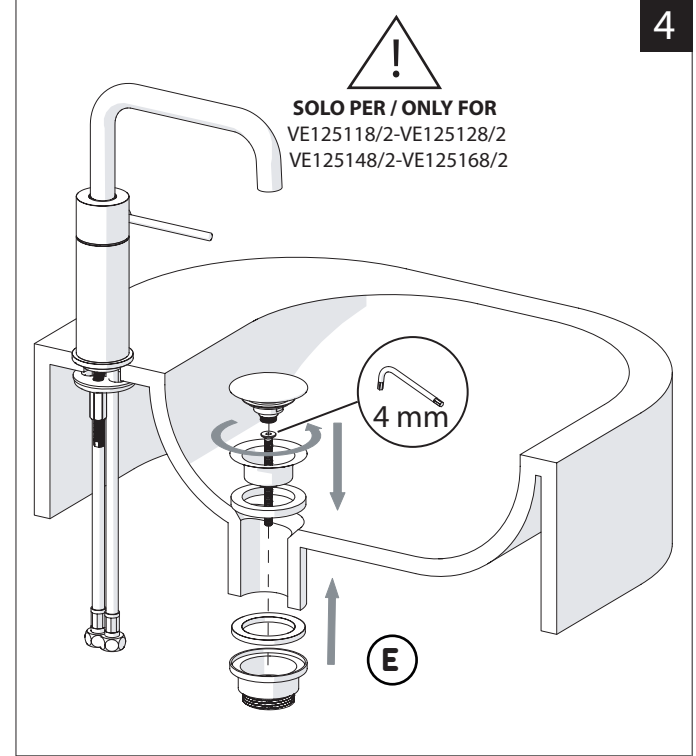
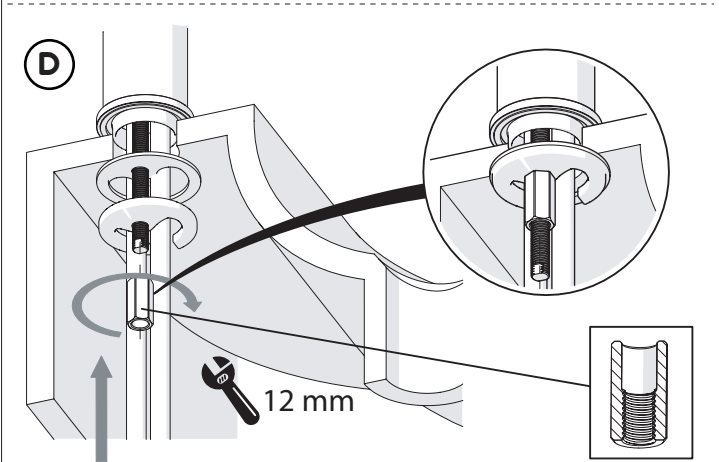
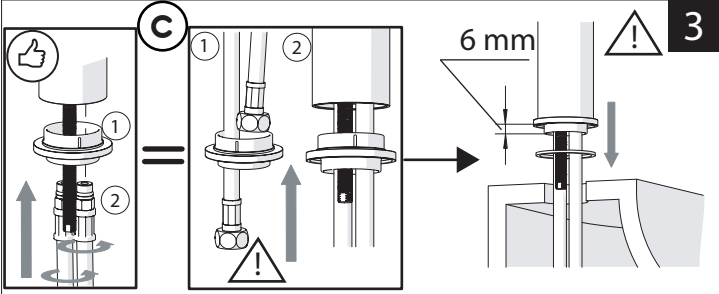
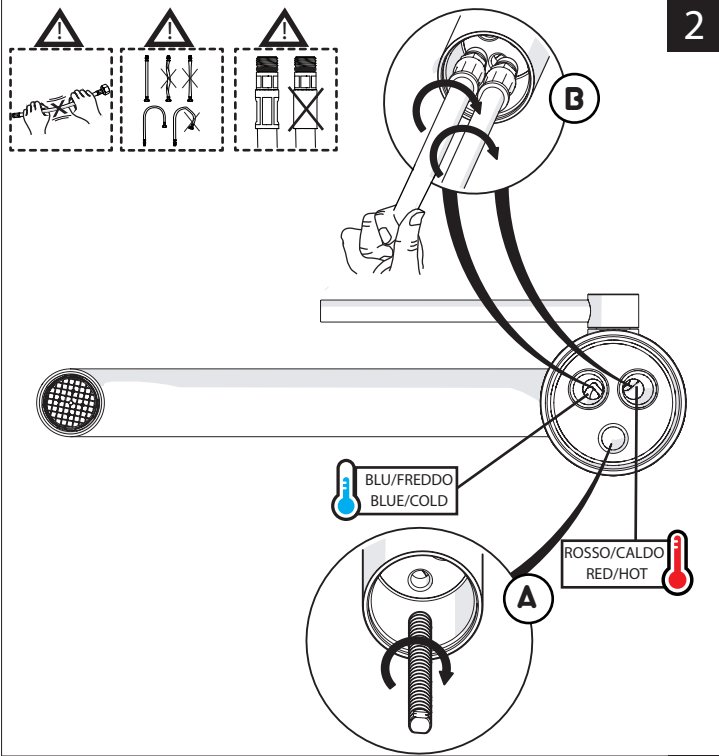
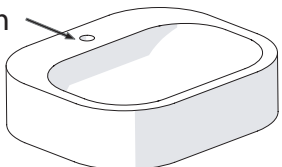


Ø > IN ALTO  
Ø > UP

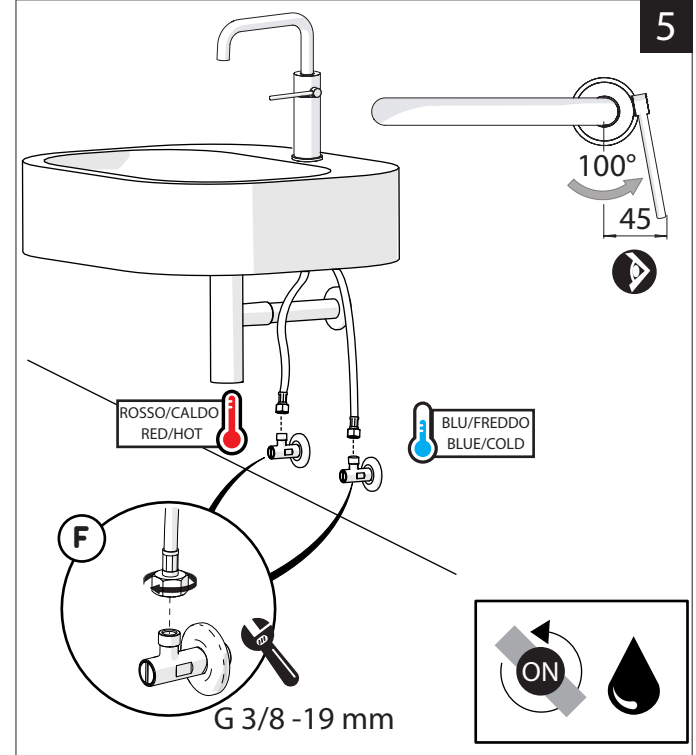


**SOLO PER / ONLY FOR**  
VE125118/2-VE125128/2  
VE125148/2-VE125168/2  
**SCARICO INIVERSALE SKIP-UP  
UNIVERSAL WASTE**

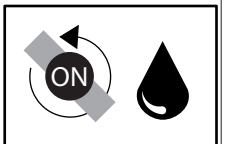
Ø 33.5/35 mm

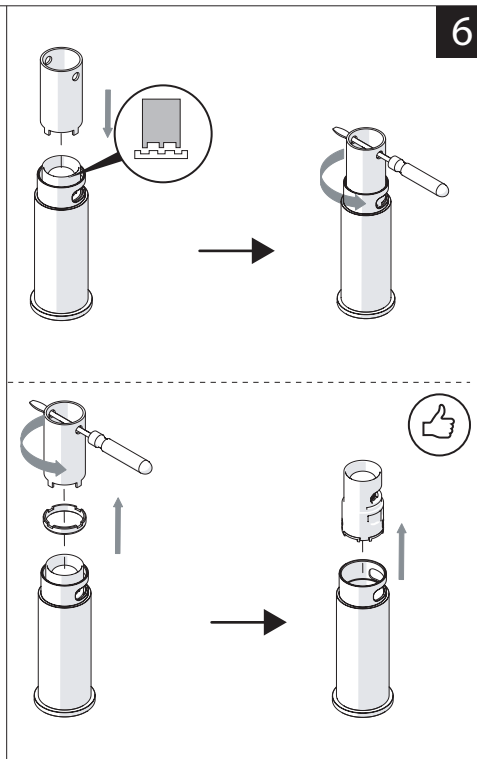
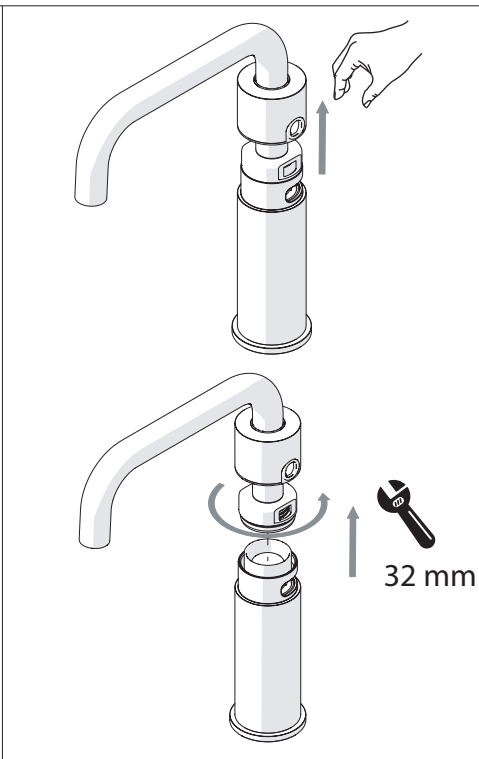
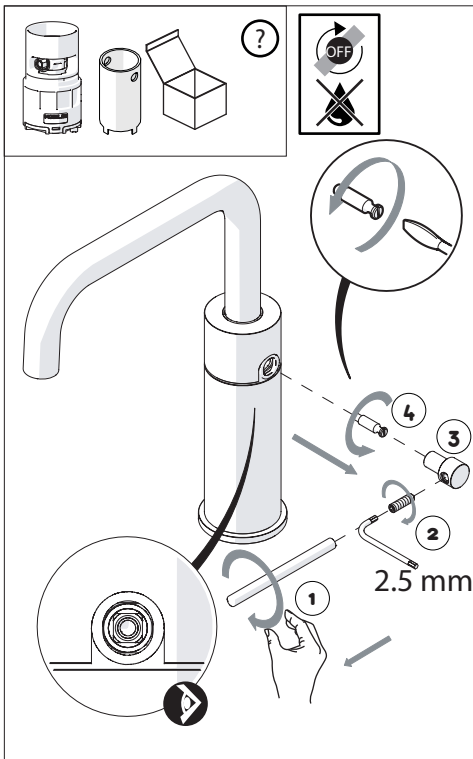


**SOLO PER / ONLY FOR**  
VE125118/2-VE125128/2  
VE125148/2-VE125168/2



G 3/8-19 mm





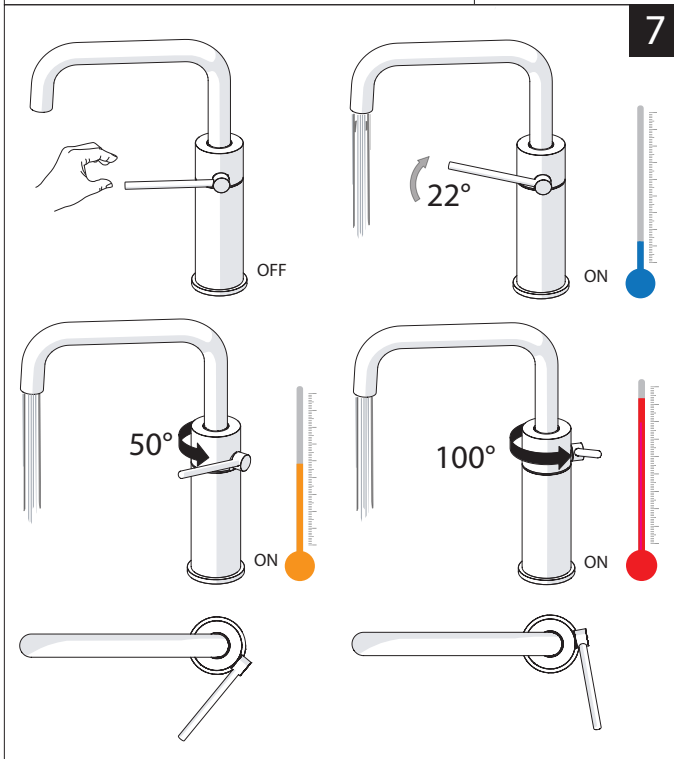
6

NOBILIS

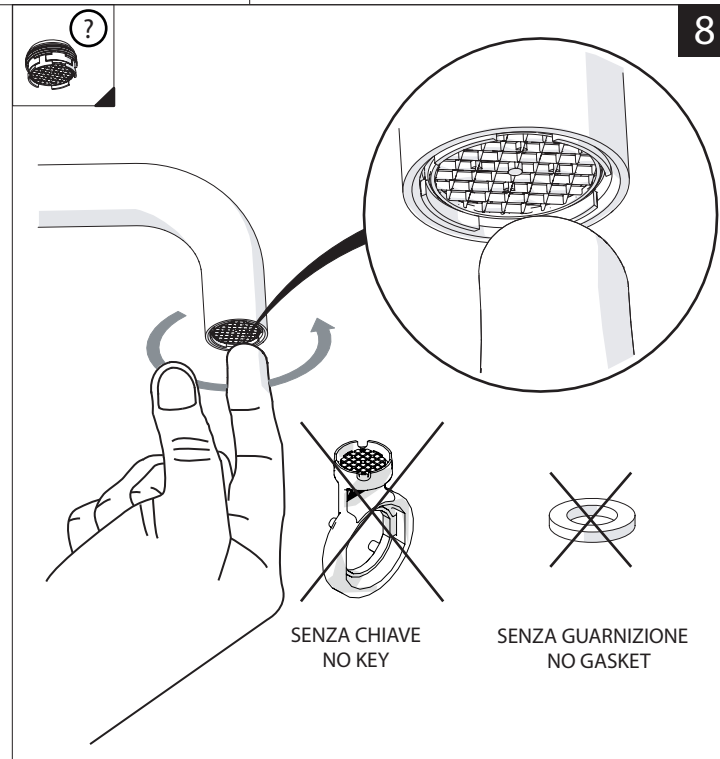
VELIS



www.nobili.it



7



8

PRIMA DI INIZIARE / BEFORE STARTING

|  |          |  |                   |  |   |  |   |      |  |            |  |            |
|--|----------|--|-------------------|--|---|--|---|------|--|------------|--|------------|
|  | P<br>bar |  | MAX 10<br>0,5 MIN |  | 5 |  | T | T °C |  | MAX<br>-80 |  | -65<br>-45 |
|--|----------|--|-------------------|--|---|--|---|------|--|------------|--|------------|

PULIZIA / CLEANING

|  |                                   |  |                                  |  |                          |  |                  |  |                         |
|--|-----------------------------------|--|----------------------------------|--|--------------------------|--|------------------|--|-------------------------|
|  | ACQUA<br>WATER                    |  | ALCOOL<br>ALCOHOL                |  | MICROFIBRA<br>MICROFIBER |  | SPUGNA<br>SPONGE |  | DETERGENTI<br>DETERGENT |
|  | TUTTE LE FINITURE<br>ALL FINISHES |  | ACQUA E SAPONE<br>WATER AND SOAP |  | MICROFIBRA<br>MICROFIBER |  | SPUGNA<br>SPONGE |  | DETERGENTI<br>DETERGENT |

|  |                                   |  |                                  |  |                          |  |                  |  |                         |
|--|-----------------------------------|--|----------------------------------|--|--------------------------|--|------------------|--|-------------------------|
|  | TUTTE LE FINITURE<br>ALL FINISHES |  | ACQUA E SAPONE<br>WATER AND SOAP |  | MICROFIBRA<br>MICROFIBER |  | SPUGNA<br>SPONGE |  | DETERGENTI<br>DETERGENT |
|--|-----------------------------------|--|----------------------------------|--|--------------------------|--|------------------|--|-------------------------|

|  |                 |  |  |  |  |  |  |
|--|-----------------|--|--|--|--|--|--|
|  | GOMMA<br>RUBBER |  |  |  |  |  |  |
|--|-----------------|--|--|--|--|--|--|

IISTRVE125118#--STD



REV0.06/2020