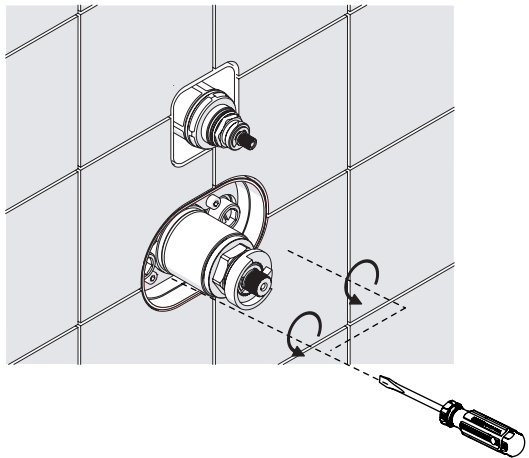
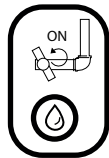
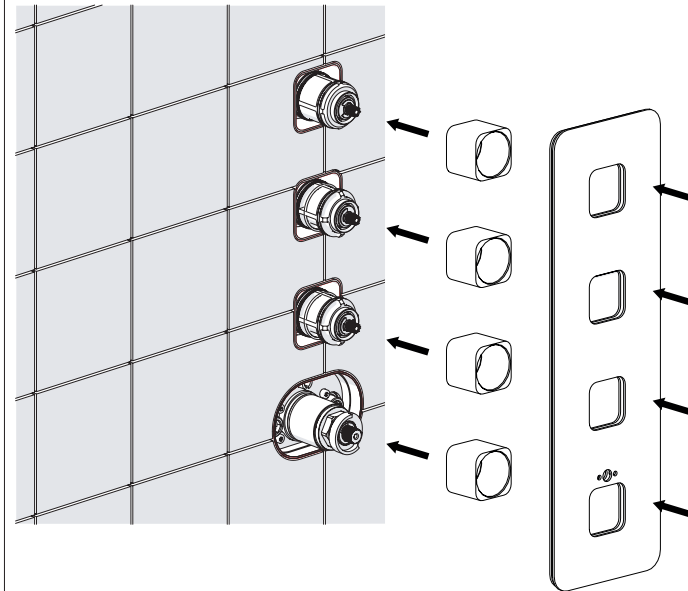


1



3



5

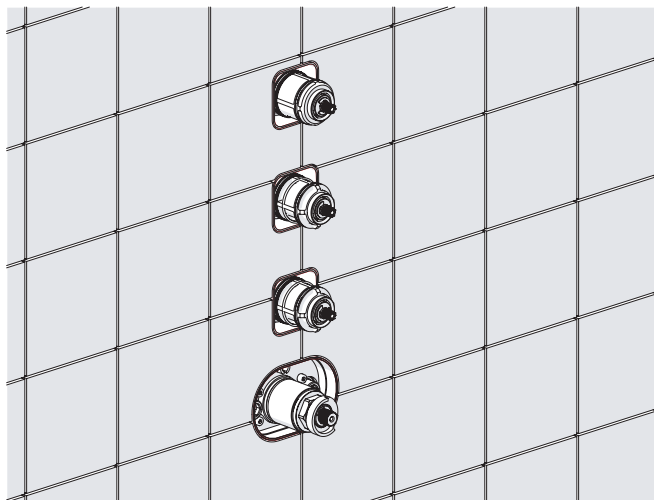
+

Not included / Non incluso / Non Inclus / Nie zawarty / No incluido / Nao incluido

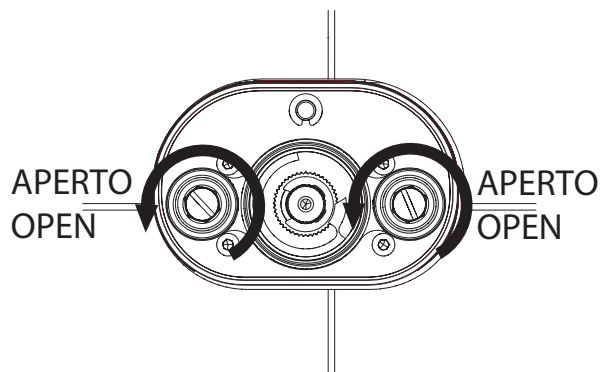


2

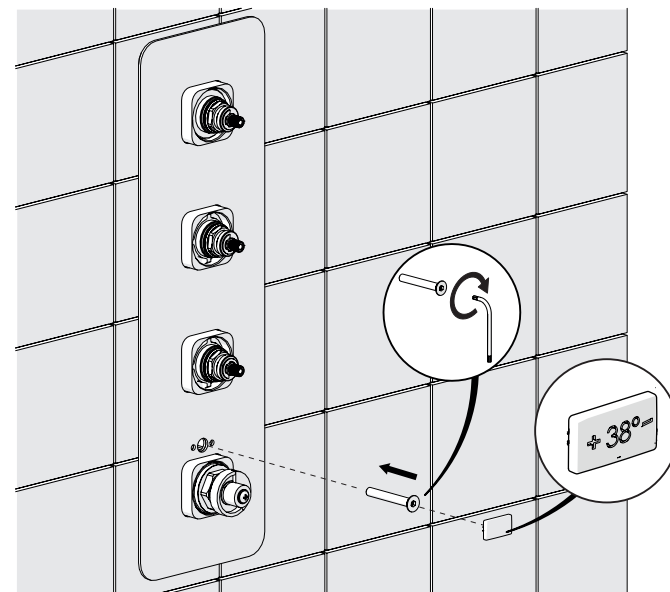
REF.
MANUAL
WE00103



4

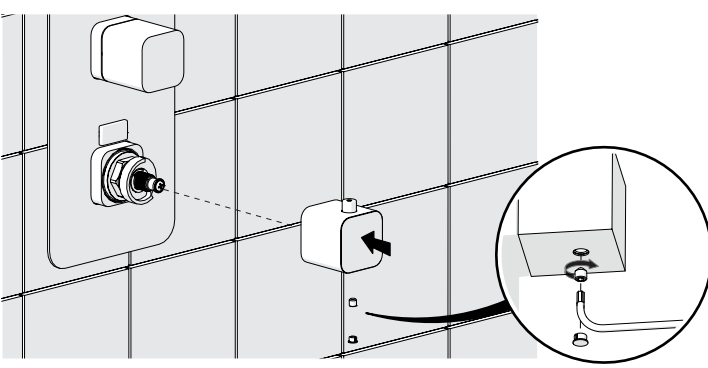
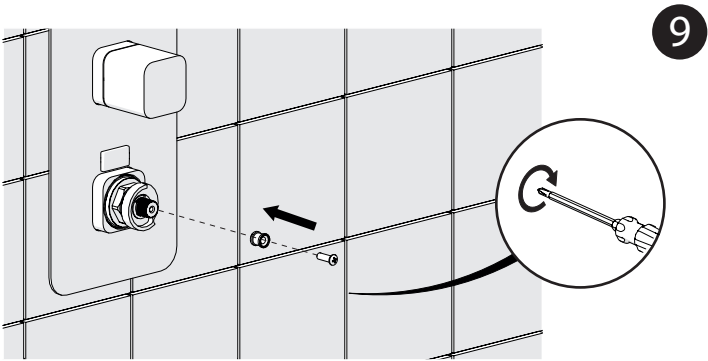
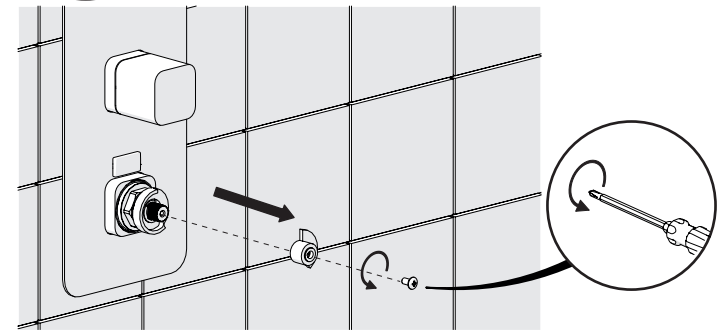
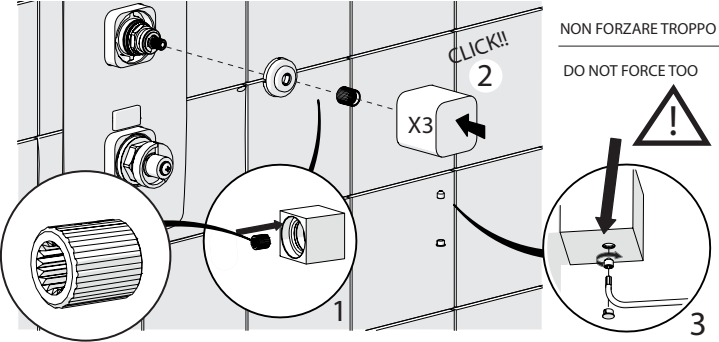


6

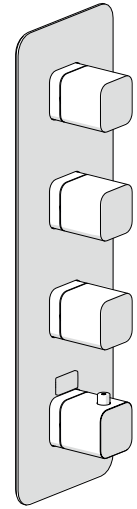


POSIZIONARE LA MANIGLIA CON CARTUCCIA CHIUSA COME IN FIGURA
 POSITION THE HANDLE WITH CLOSED CARTRIDGE AS SHOWN

7

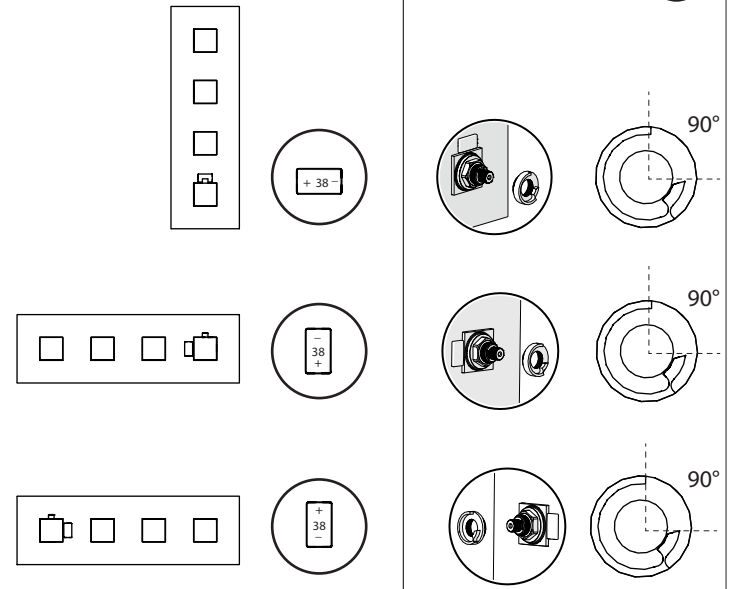


NOBILIS®
 The Best Technology for Water



LP90103

8



www.grupponobili.it

IISTRO0103/A#---STD

REV01/2013

