

1

+

Not included / Non incluso / Non Inclus / Nie zawarty / No incluido / Nao incluido

2

3

5

REF. MANUAL WE00104

2

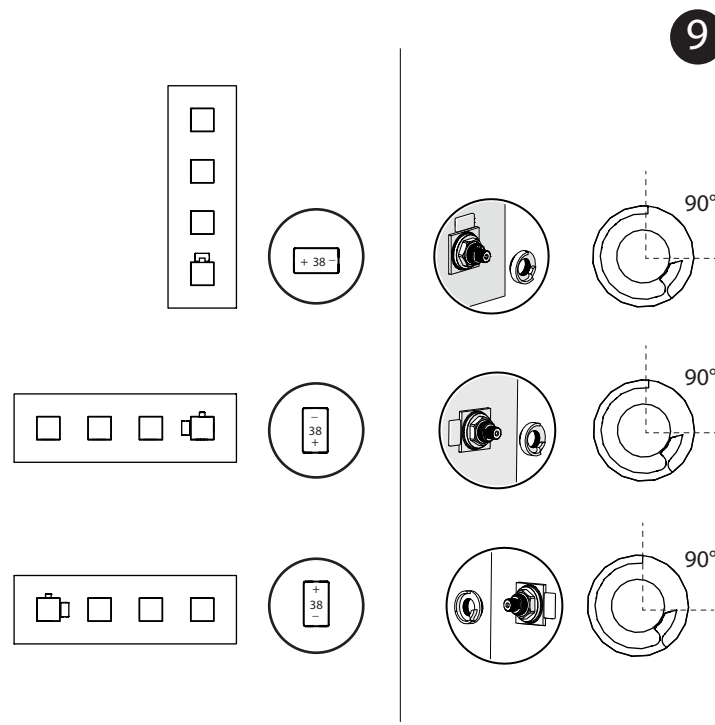
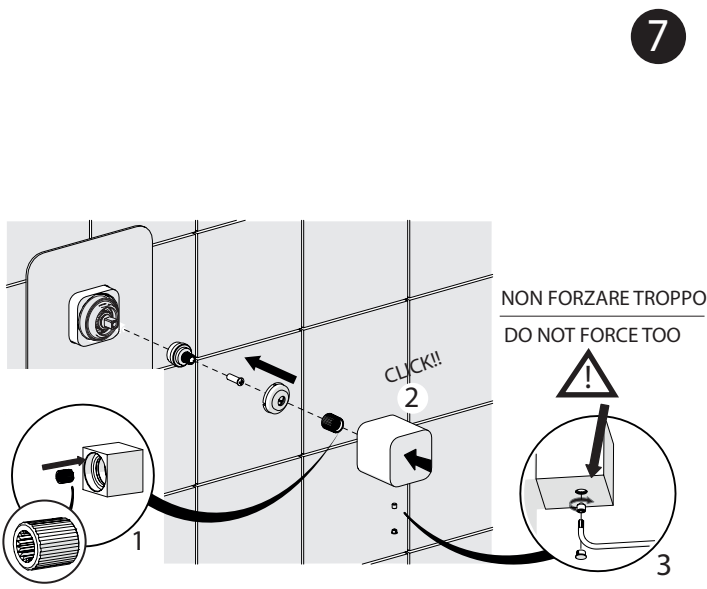
4

APERTO OPEN

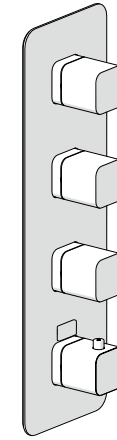
APERTO OPEN

6

+38°C



NOBILIS®
The Best Technology for Water



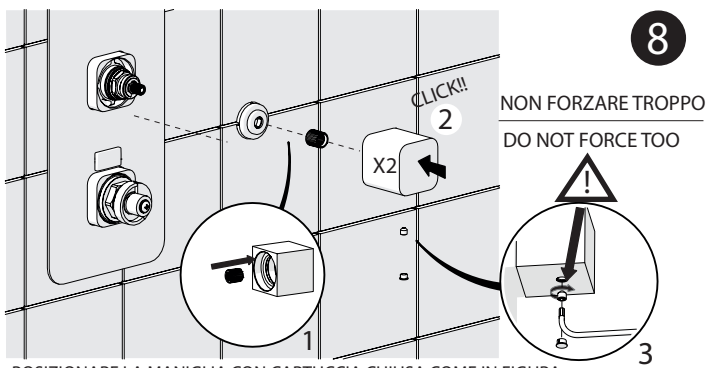
LP90104



www.grupponobili.it

IISTR00104/A#--STD

REV02.08/2016



POSIZIONARE LA MANIGLIA CON CARTUCCIA CHIUSA COME IN FIGURA
POSITION THE HANDLE WITH CLOSED CARTRIDGE AS SHOWN

