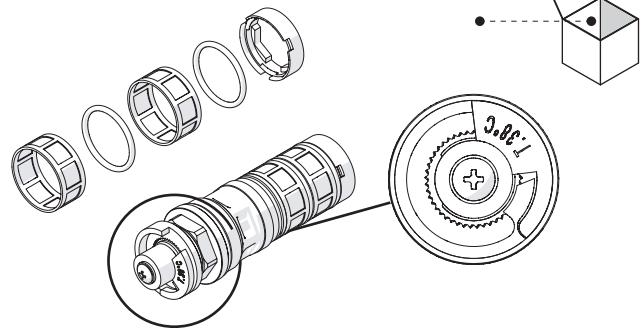
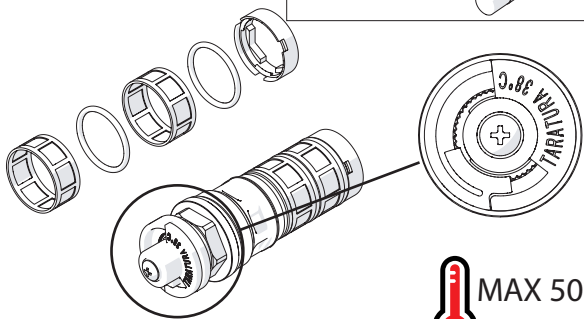
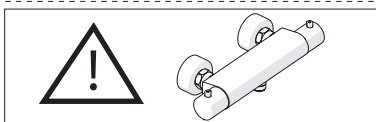


RCR201/5

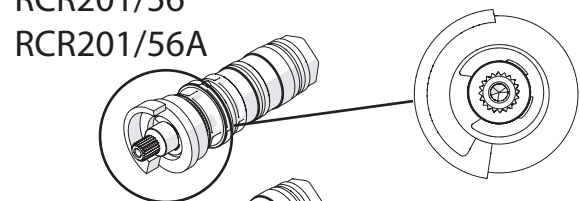


1

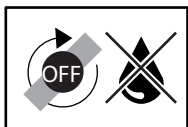
RCR201/6



RCR201/56
RCR201/56A

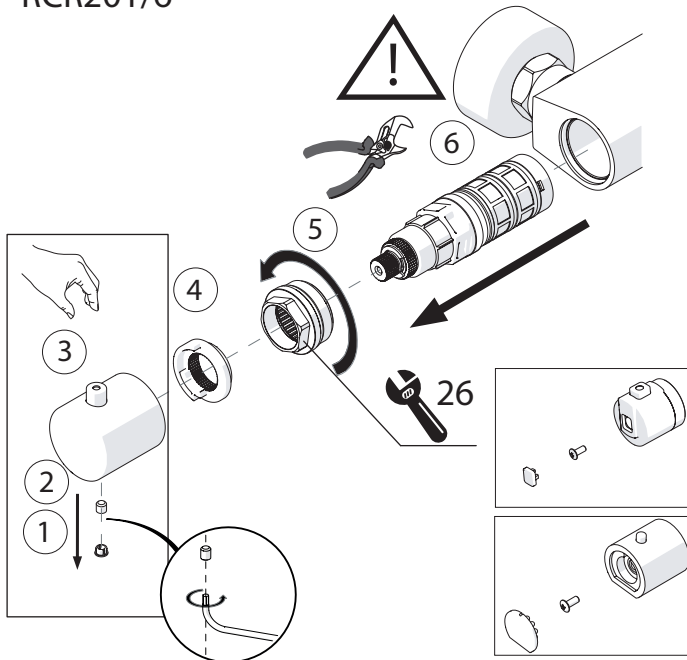


- RCR201/56
- 
 COLOR GREEN
- 
 COLOR BLUE



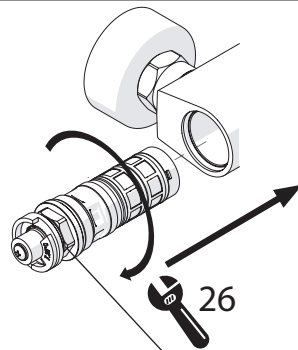
RCR201/5
RCR201/6

2

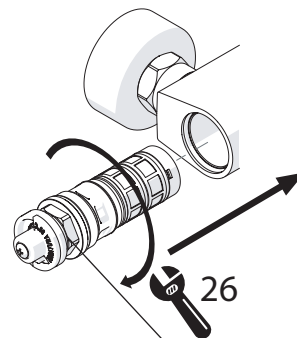


RCR201/5

3

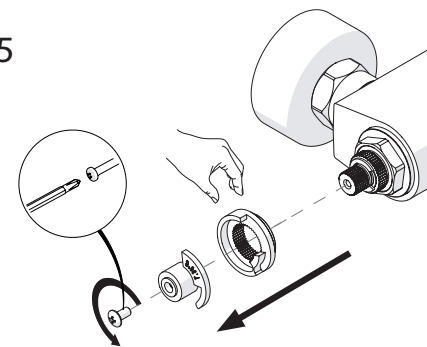


RCR201/6

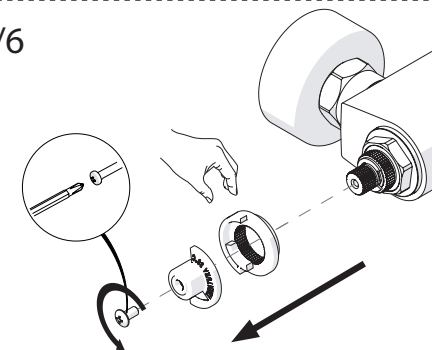


RCR201/5

4

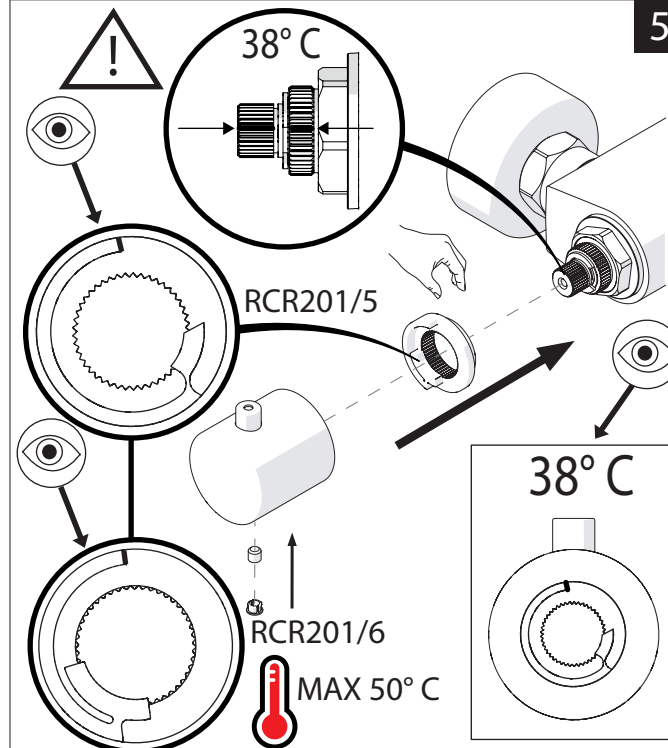


RCR201/6



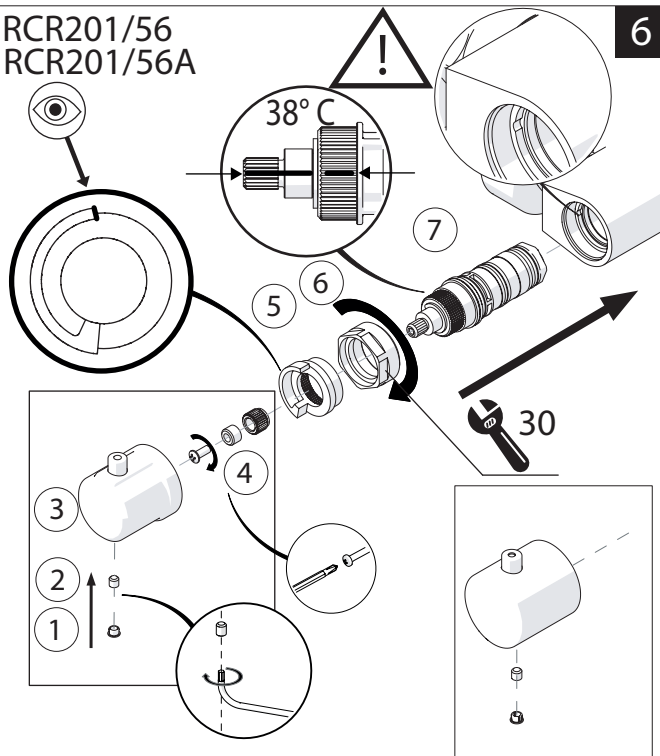
RCR201/5

5



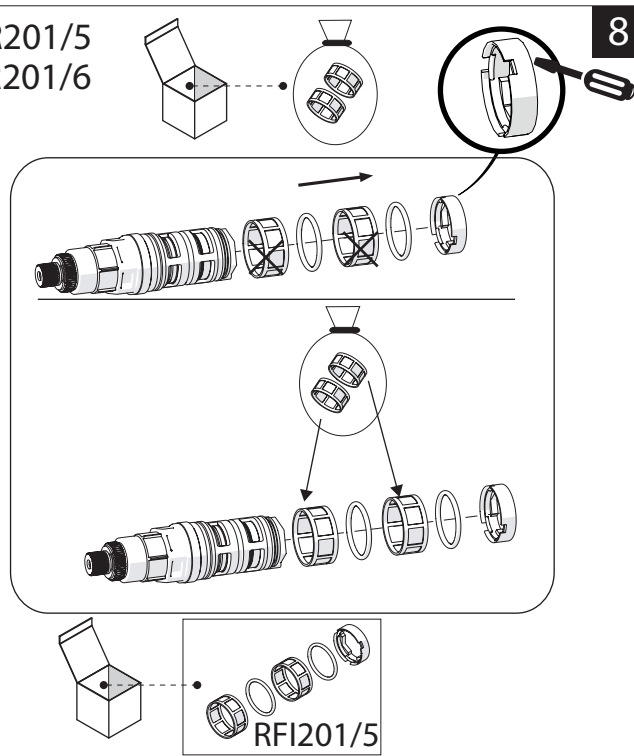
RCR201/56
RCR201/56A

6

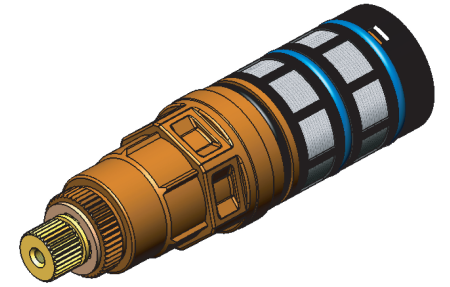


RCR201/5
RCR201/6

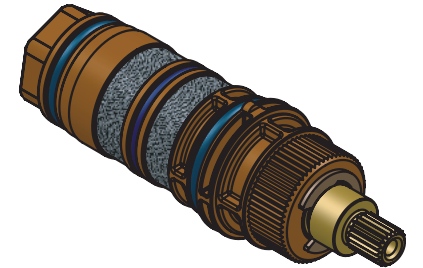
8



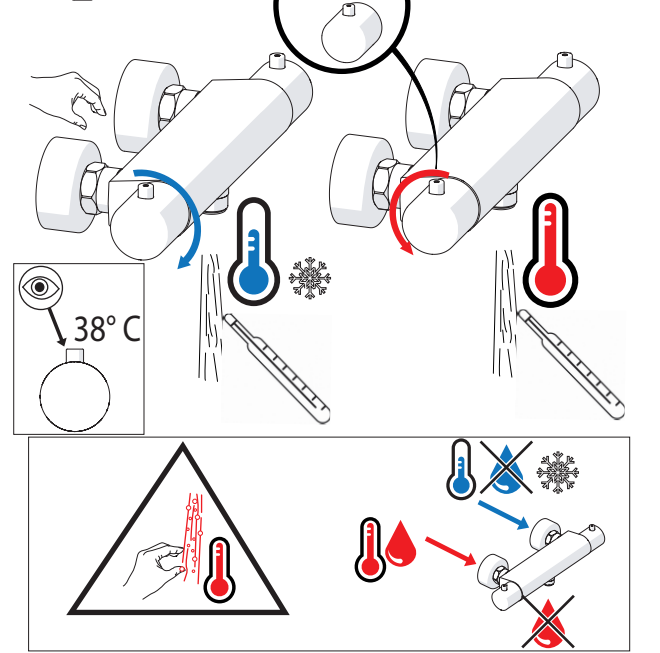
RCR201/5
RCR201/6



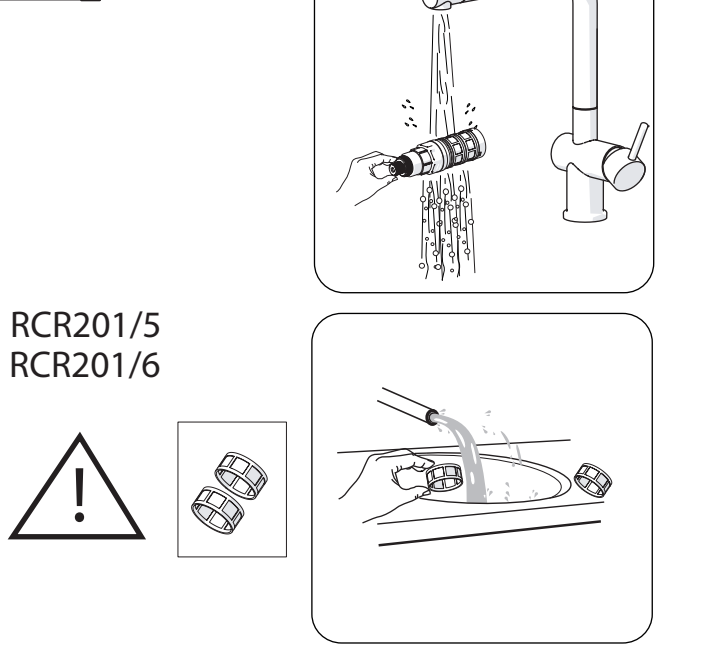
RCR201/56
RCR201/56A



7



9

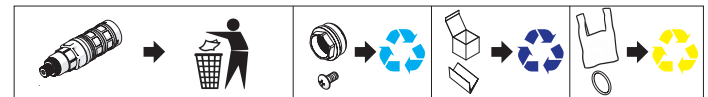


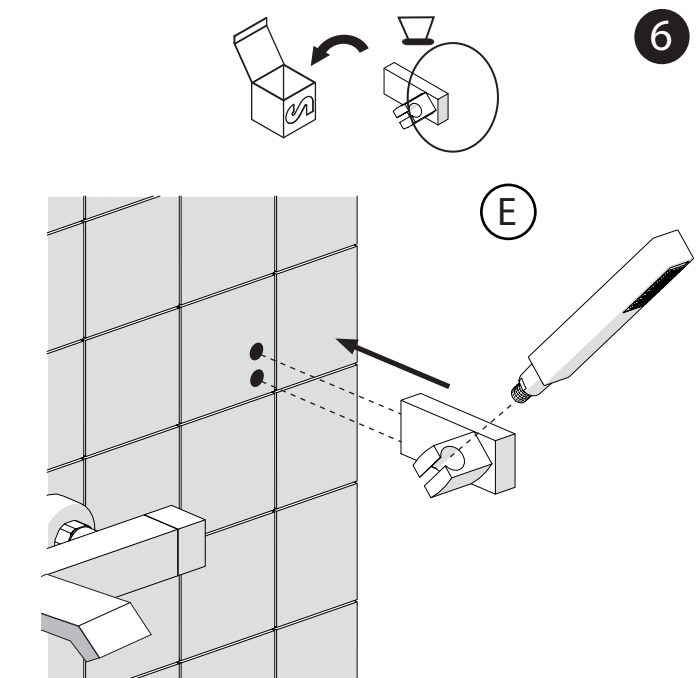
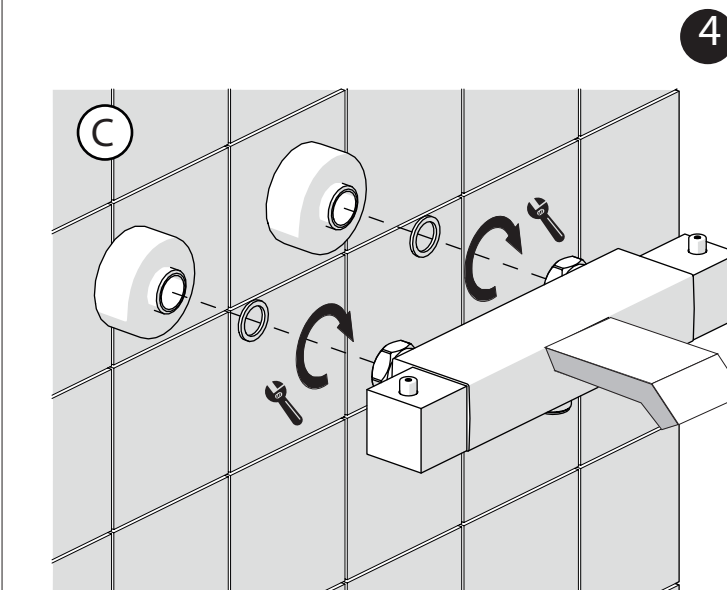
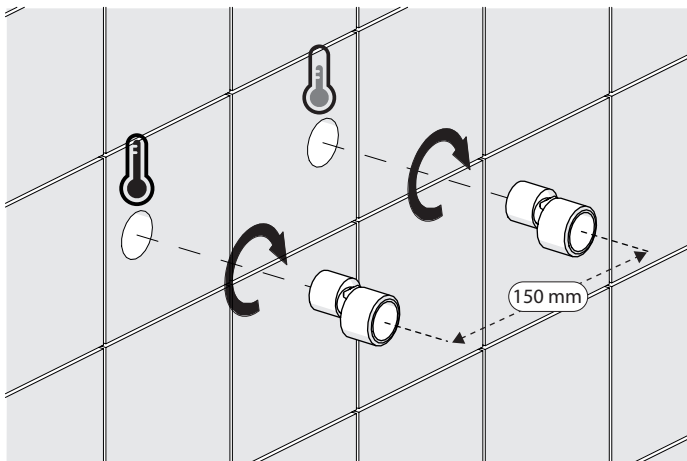
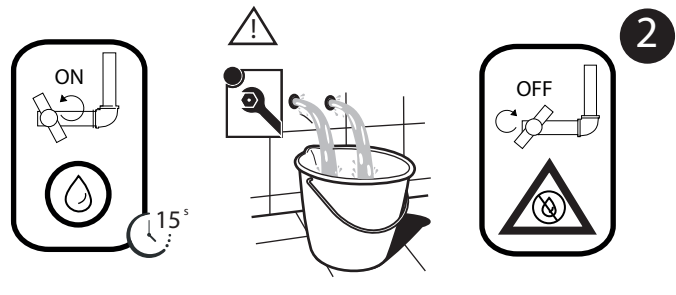
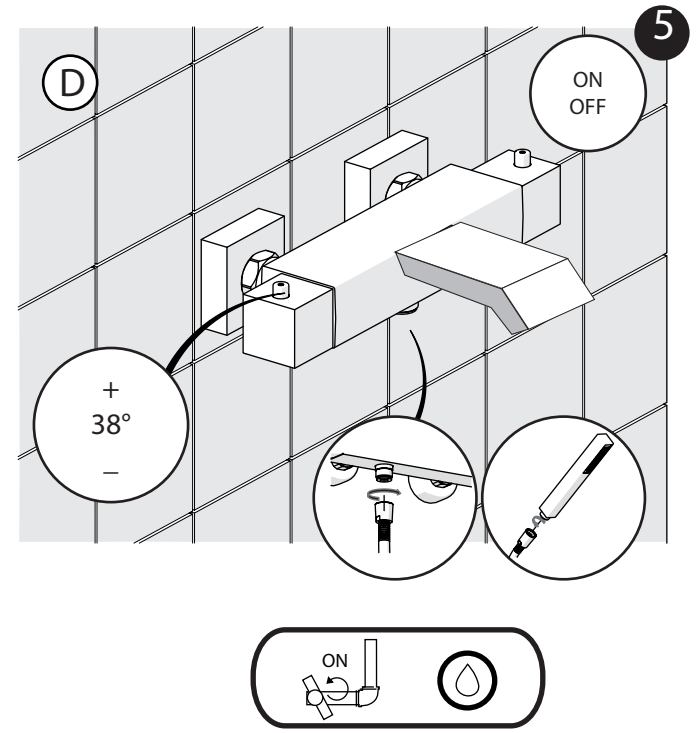
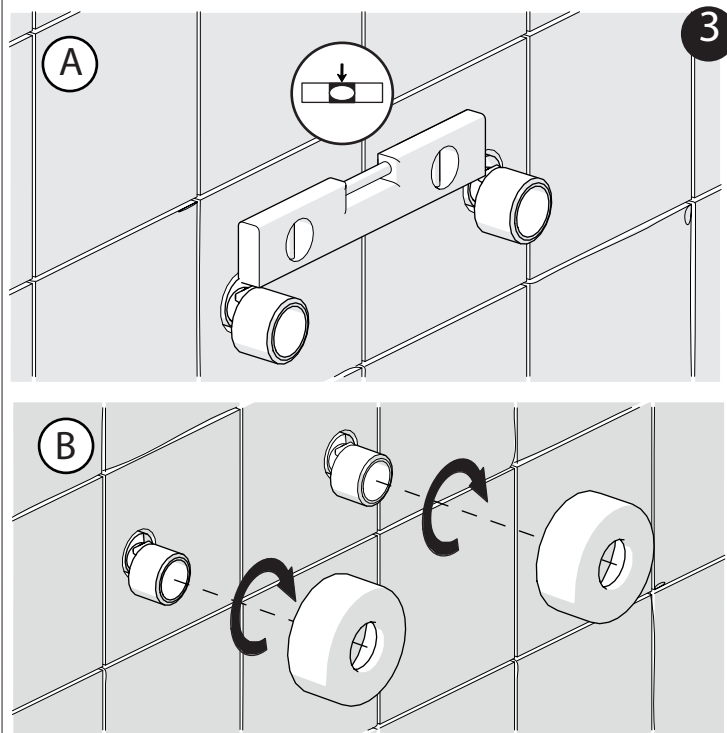
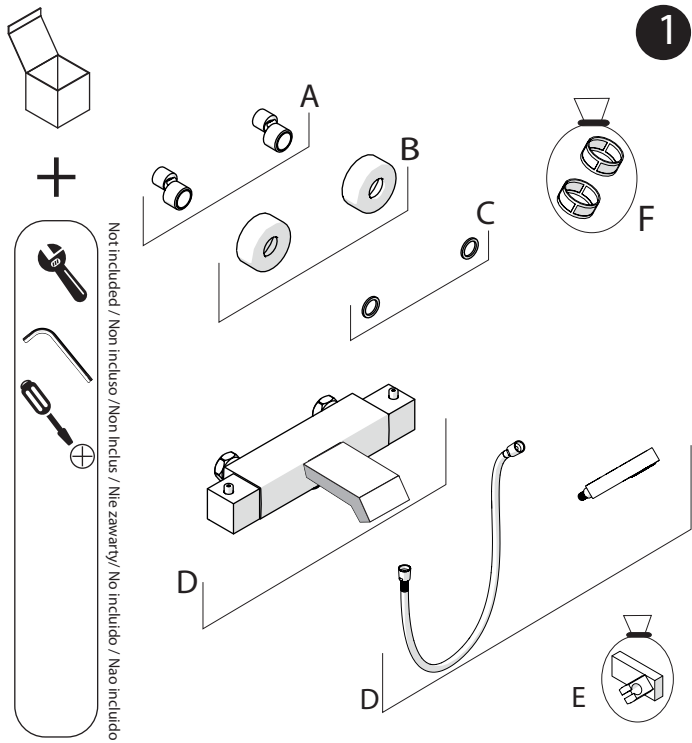
RCR201/5
RCR201/6

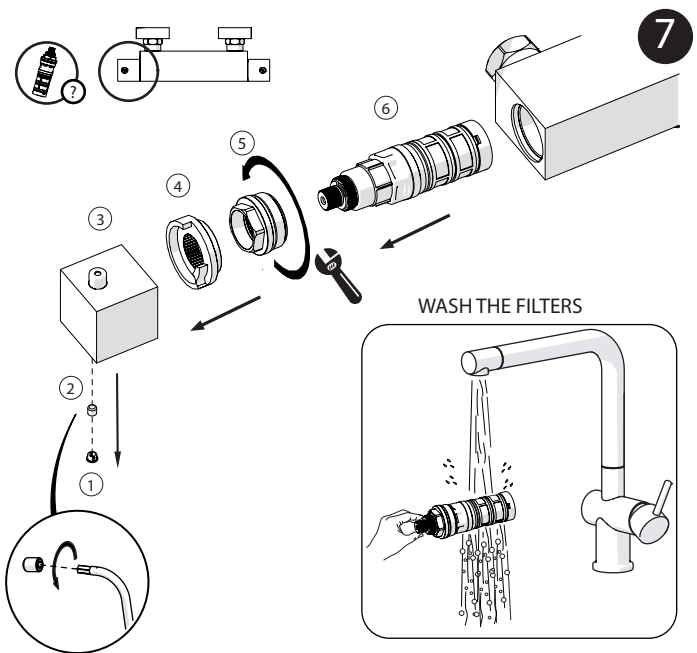


	P P bar	MAX 10 0,5 MIN		5 1	
--	-------------------	-------------------	--	--------	--

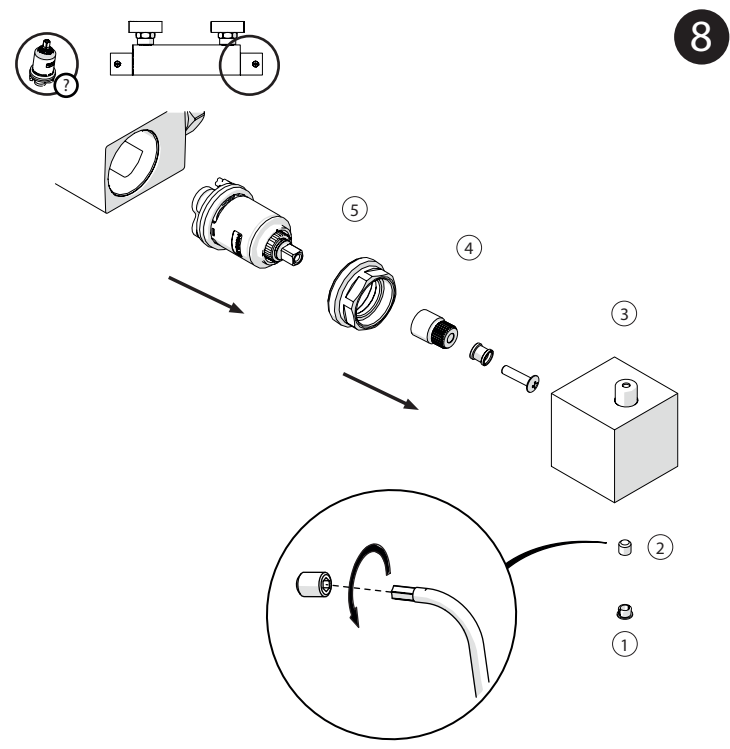
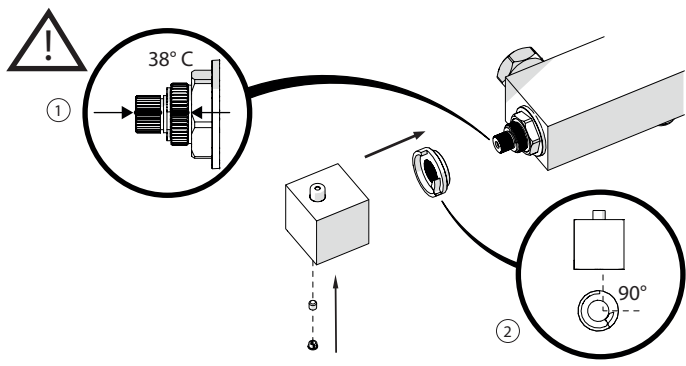
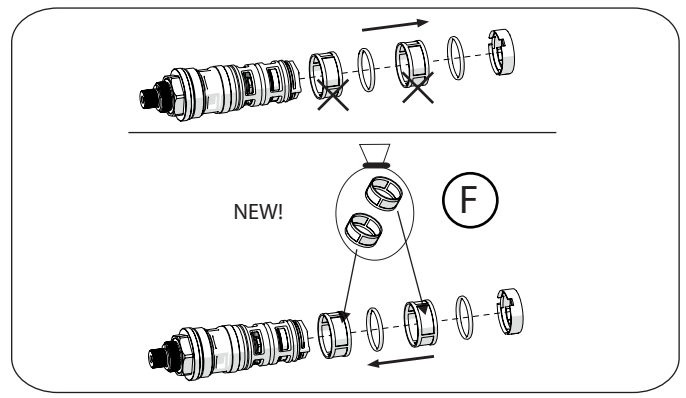
	T T °C	MAX 80		65 45	
--	------------------	--------	--	----------	--



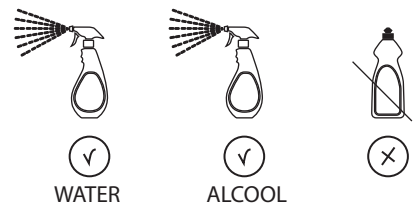
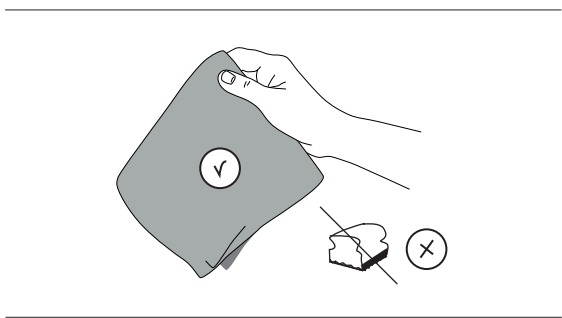




CHANGE FILTERS (spare into the box)



CLEANING



NOBILIS®
The Best Technology for Water

MI102010

SF00010

RY00010

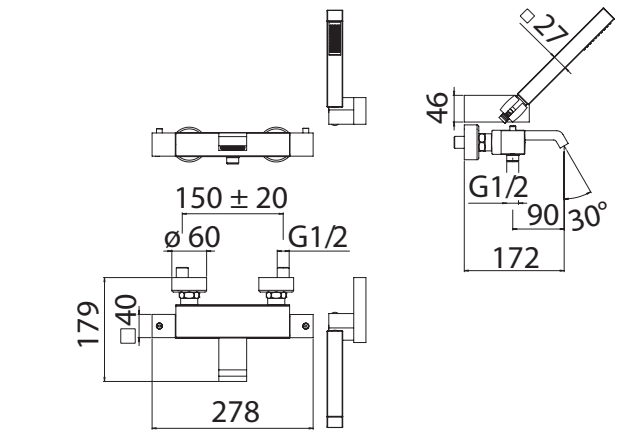
TGQ85310

SL00010

www.grupponobili.it

IISTRSF00010#--STD

REV1.09/2013



P | P bar | 0.5 MIN. |
 MAX 10 | 5 |
 T | T °C |
 MAX 80 |
 -65 | -45 |