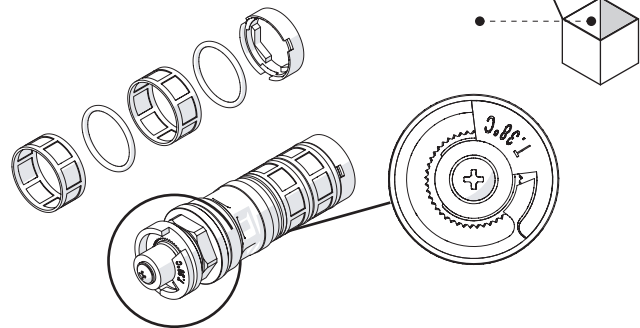
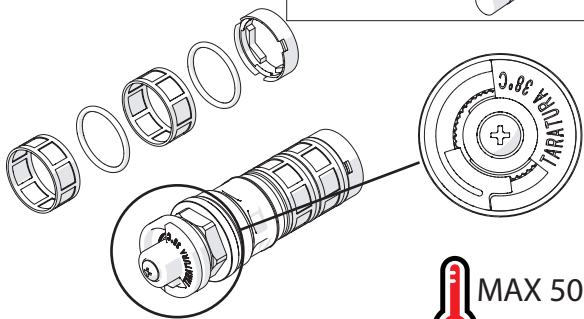
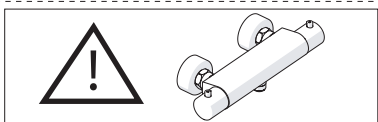


RCR201/5



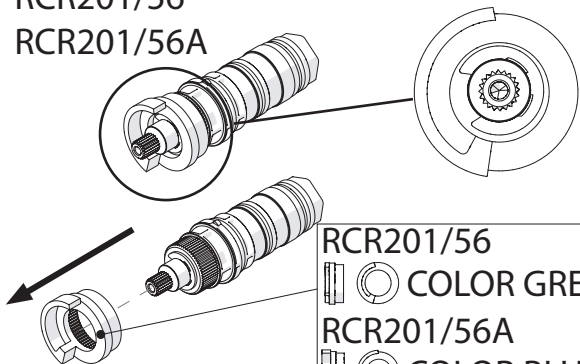
1

RCR201/6

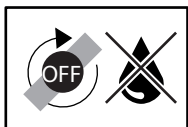


MAX 50° C

RCR201/56
RCR201/56A

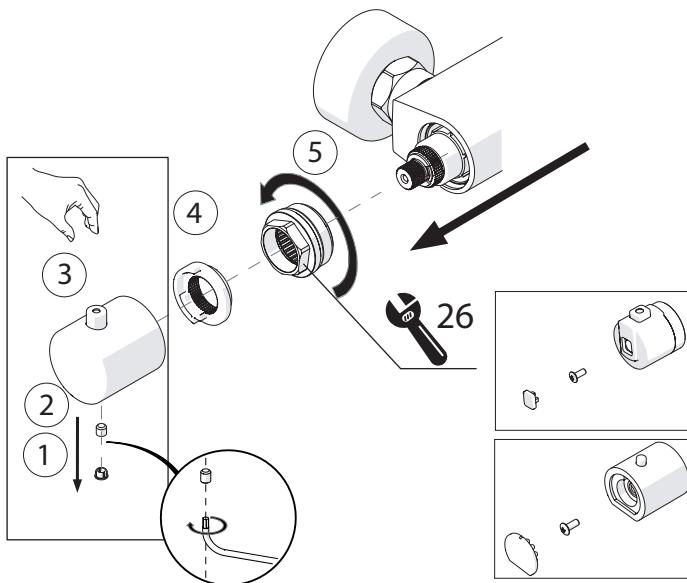


RCR201/56
 █ █ COLOR GREEN
 RCR201/56A
 █ █ COLOR BLUE



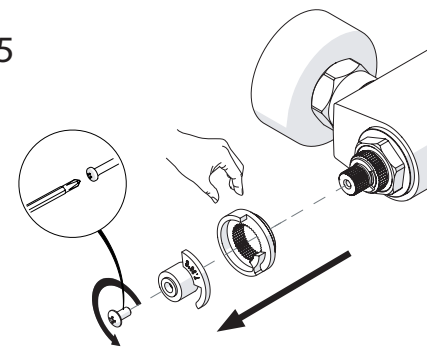
RCR201/5
RCR201/6

2

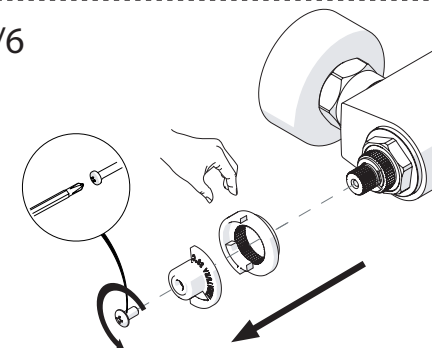


RCR201/5

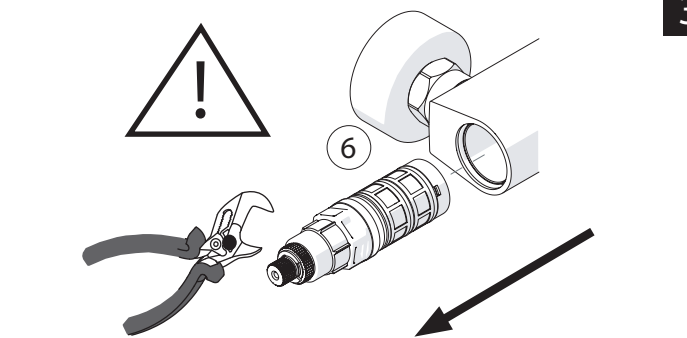
4



RCR201/6

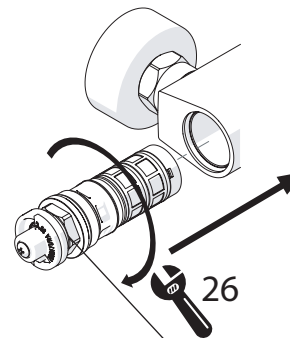
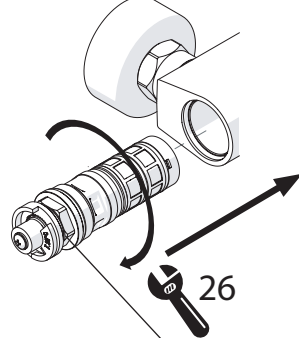


3

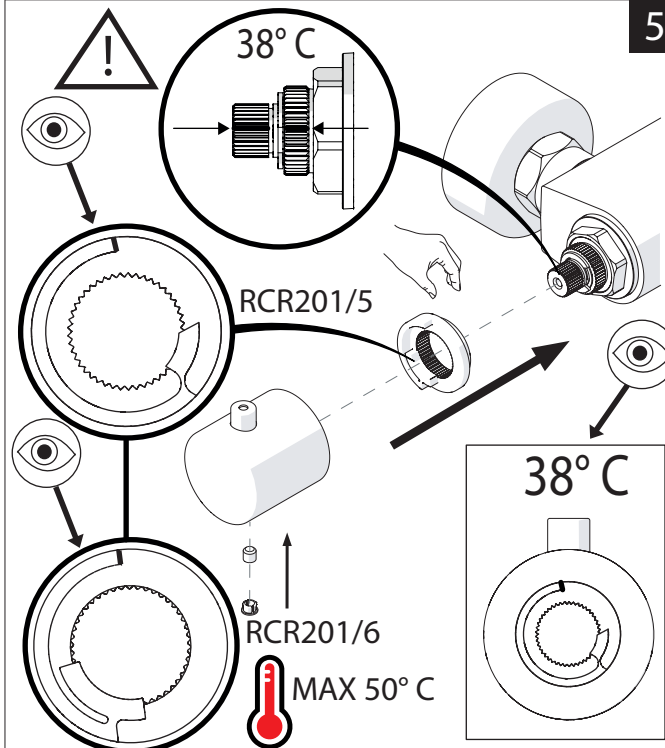


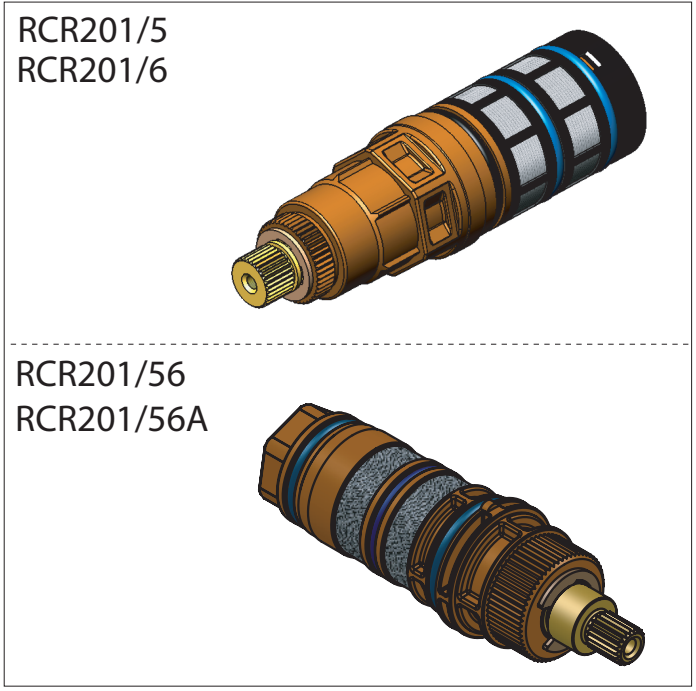
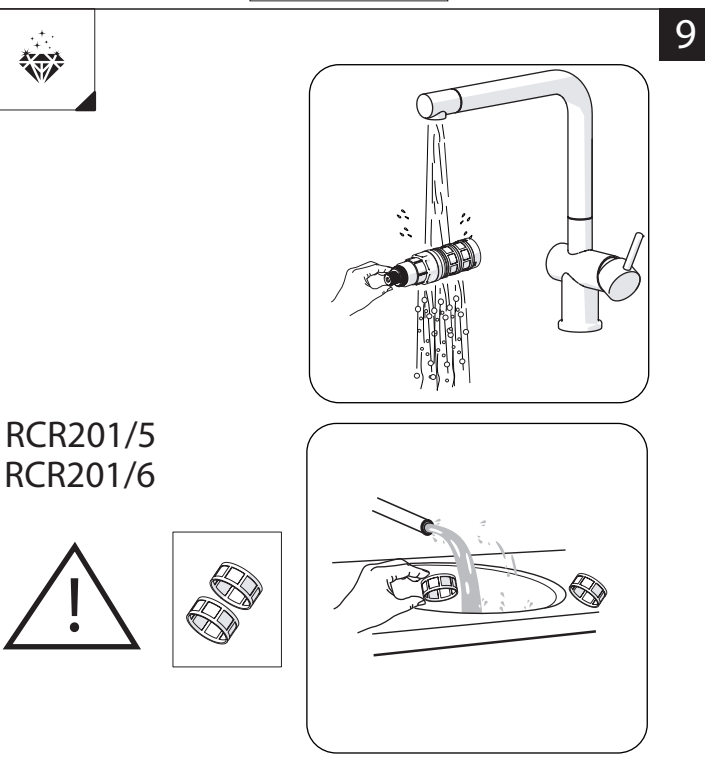
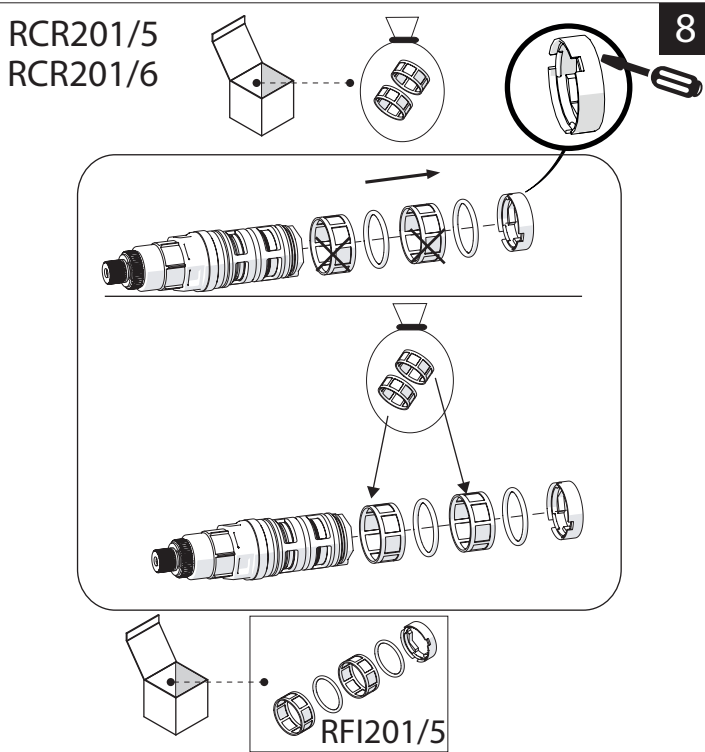
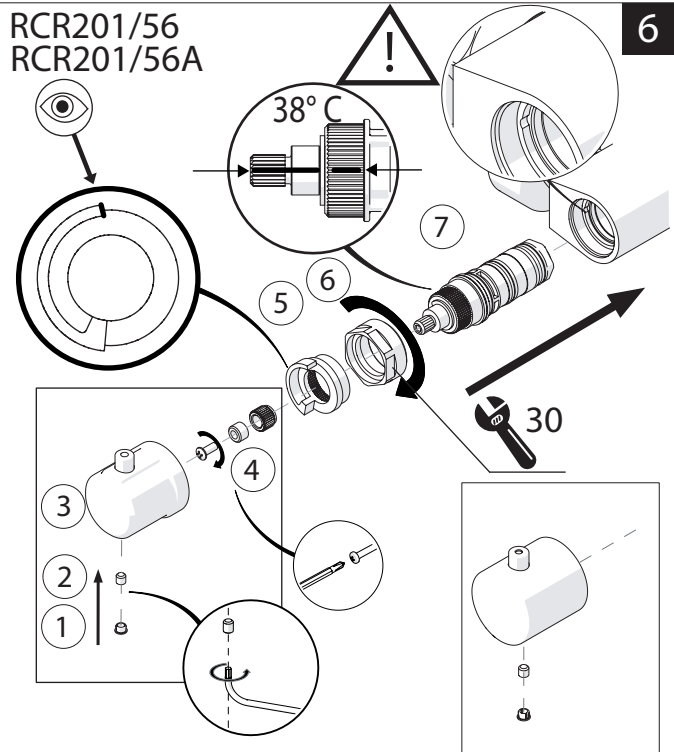
RCR201/5

RCR201/6



5





38

P bar

0,5 MIN

MAX 10

5

T °C

MAX 80

65 45

IISTR00201/5#--NEU

REV3.02/2022